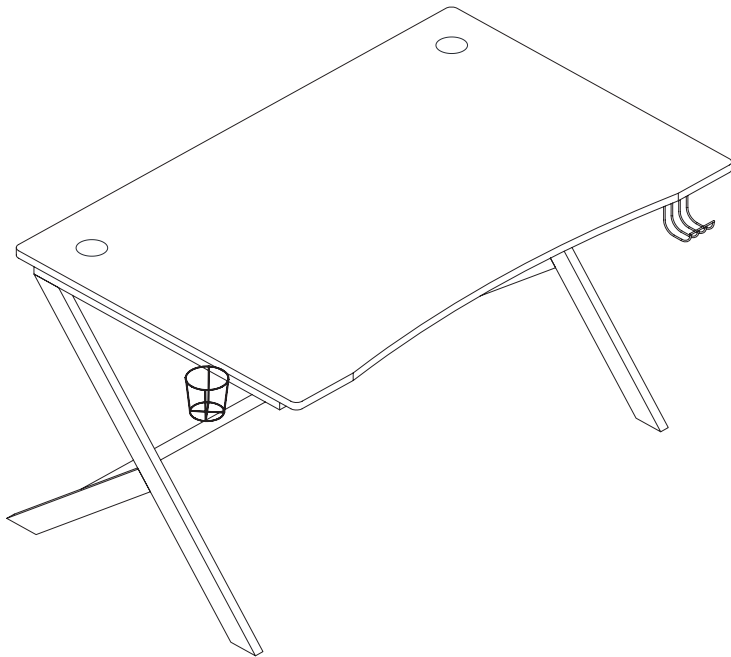


XRocker®

Ocelot

Gaming Desk

Assembly Instructions



Need Help? Please visit the following webpage!

www.xrockeruk.com/pages/support

IMPORTANT: You must keep your original retail receipt as proof of purchase.

Welcome to X Rocker!

Thank you for purchasing this X Rocker gaming chair. You are now close to enhancing your favourite games with glorious audio!

To get started, please assemble the chair using these assembly instructions, and then follow the instructions in the user manual to **get rocking!**

Tools needed

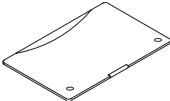
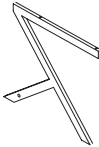
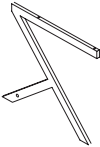
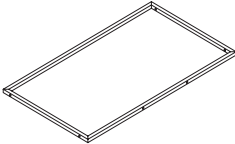
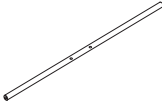
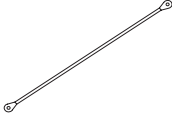
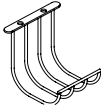



Allen Key

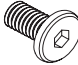
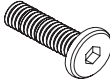
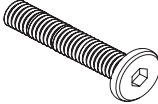
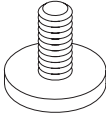



2 person build

Box Contents: Parts

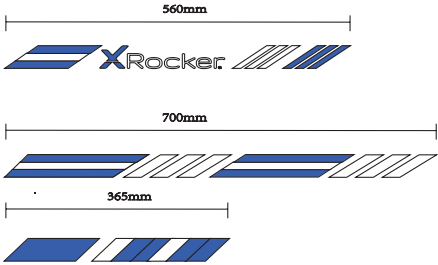
<p>1</p>  <p>x1</p>	<p>2</p>  <p>x1 Left</p>	<p>3</p>  <p>x1 Right</p>
<p>4</p>  <p>x1</p>	<p>5</p>  <p>x1</p>	<p>6</p>  <p>x2</p>
<p>7</p>  <p>x1</p>	<p>8</p>  <p>x1</p>	

Box Contents: Fittings

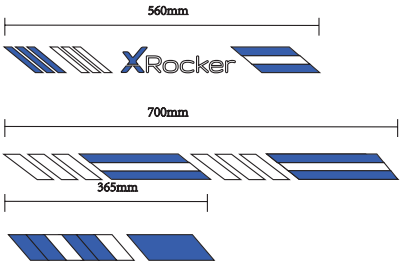
<p>A</p>  <p>Small x8</p>	<p>B</p>  <p>Medium x6</p>	<p>C</p>  <p>Large x4</p>
<p>D</p>  <p>x4</p>	<p>E</p>  <p>x1</p>	

STICKERS

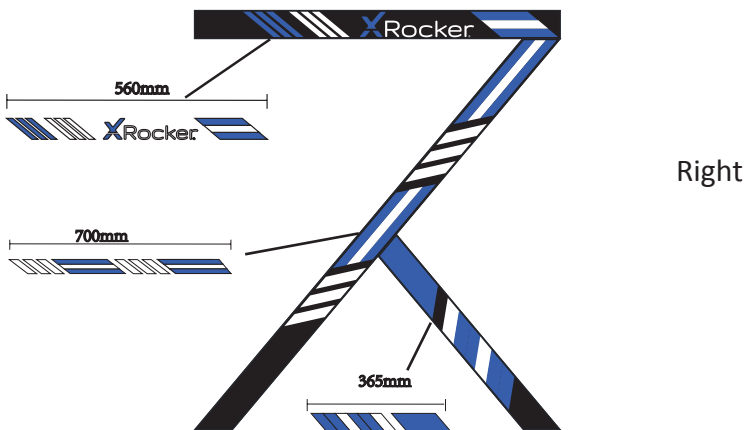
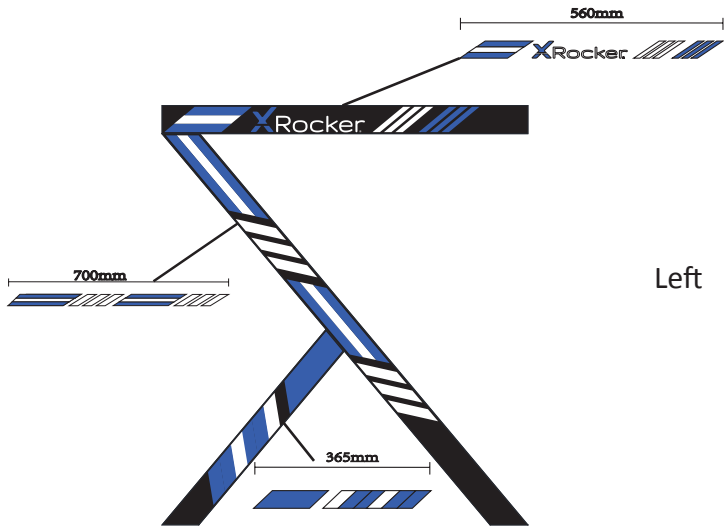
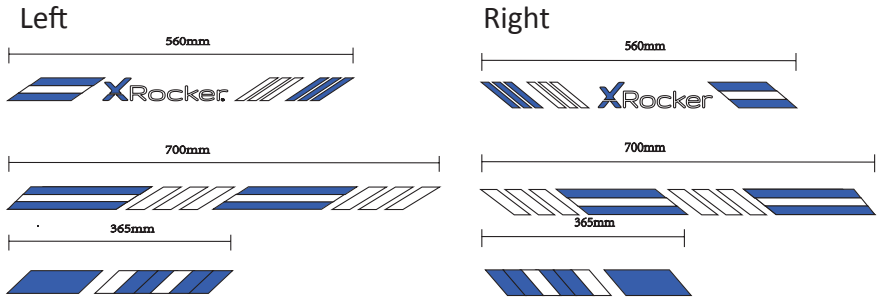
Left



Right

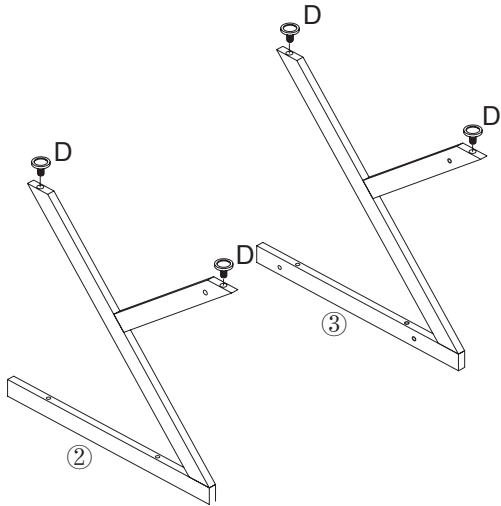


Sticker Fitting

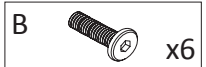
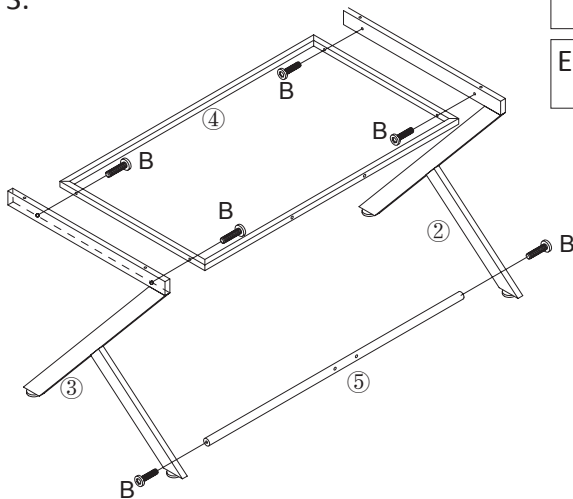


Assembly Instructions

Step 1: Attach feet to stands 2 & 3.

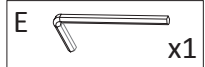
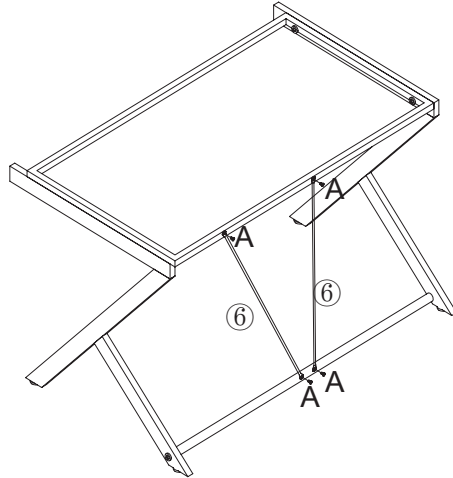


Step 2: Attach lower bar (5) and steel frame (4) to stands 2 & 3.

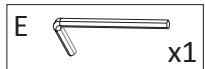
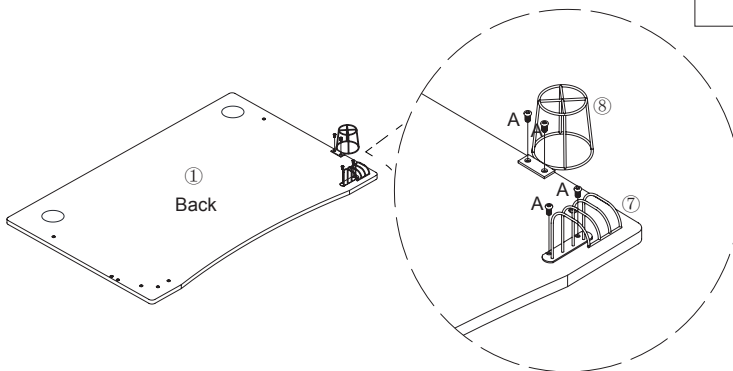


Assembly Instructions

Step 3: Attach support bars (6) to steel frame (4) and lower bar (5). Turn lower bar to match support bars.

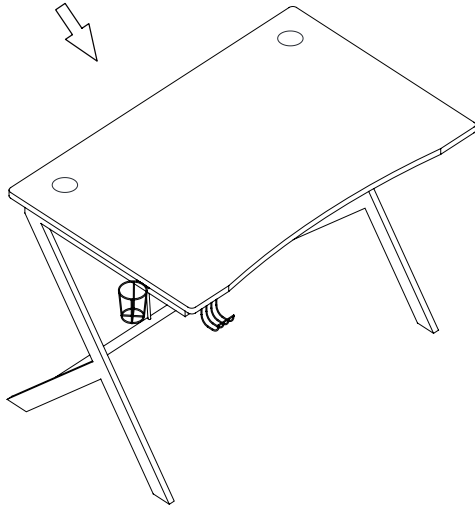
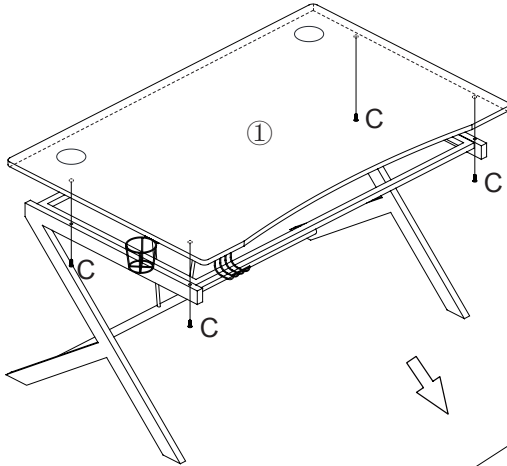


Step 4: Attach headphone holder (7) and cup holder (8) to desktop (1).



Assembly Instructions

Step 5: Attach Desktop (1) to stands 2 & 3



Need Help? Please visit the following webpage!
www.xrockeruk.com/pages/support

IMPORTANT: You must keep your original retail receipt as proof of purchase.

Love your product? Show us on social!

Facebook: X Rocker Nation

Instagram: XRockerGaming

Twitter: XRockerGaming