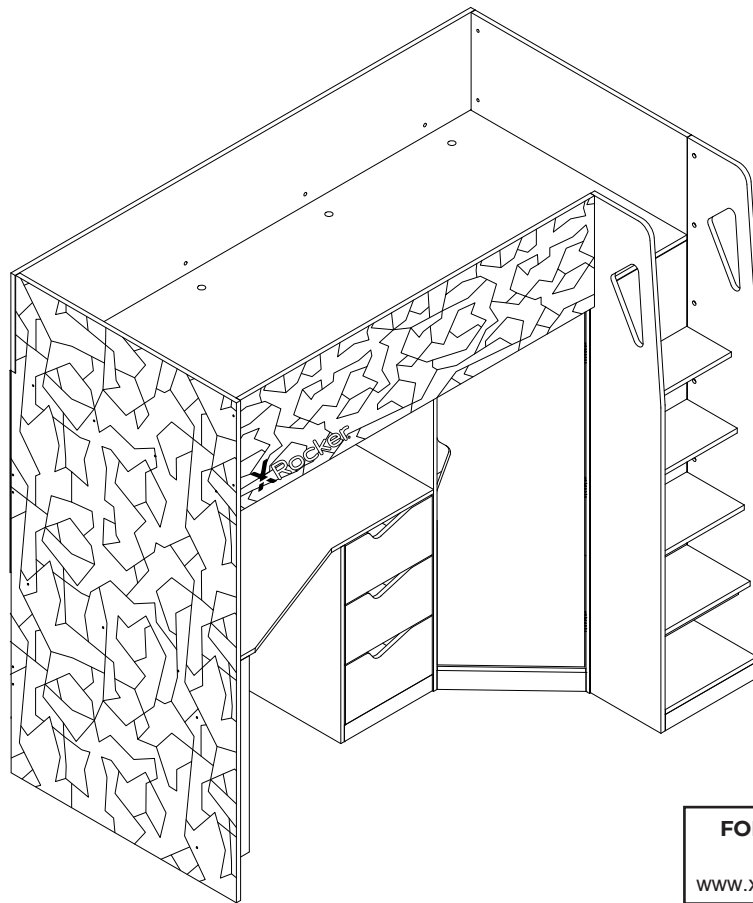


ASSEMBLY INSTRUCTIONS

Thank you for purchasing the **HIDEOUT CAMO GAMING BUNK BED WITH DESK.**

Please read the instructions carefully to ensure safe operation of this product.



**FOR PARTS & TECHNICAL
SUPPORT VISIT:**
www.xrockeruk.com/pages/support

Size: 195.5 x 96 x 185cm (L x W x H)

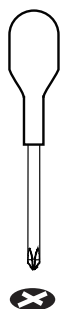
PLEASE READ this sheet prior to assembly to familiarise yourself with the various stages of construction.

HEAVY PRODUCT: Please assemble in the room / position where the product will be used.

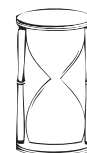
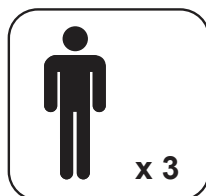
Carefully open the pack supplied and check the contents against the parts and fittings check list. Do not destroy any of the packaging until you are certain that you have all the necessary parts for the assembly.

CAUTION: There are small components used in the construction of this unit. These loose items should be kept away from young children whilst assembling your unit to avoid the danger of choking.

Tools Required



2 Person assembly.
3 Person assembly
recommend.



2 HOURS
Set Up

ASSEMBLY INSTRUCTIONS

BS EN747-1:2012+A1:2015 SAFETY WARNING AND GENERAL NOTES : IMPORTANT – READ CAREFULLY – RETAIN THESE INSTRUCTION FOR FUTURE REFERENCE.

PLEASE READ this sheet prior to assembly to familiarise yourself with the various stage of construction. Do Not destroy any of the packing until you are certain that you have all the necessary parts for assembly.

CAUTION: There are small components used in the construction of this unit. These loose items should be kept away from young children whilst assembling your unit to avoid the danger of choking hazards.

INFORMATION:

- Due to the size of this product we recommend that is assembled in the room intended for use.
- When you are ready to start, make sure that you have the right tools, plenty of space and clean, dry area for assembly.
- Unwrap all packaging materials and place each component on top of the carton box or on a clean floor to prevent from scratching.
- Check the pack and make sure you have all the parts listed.
- Tools are not included unless specified in the parts list.
- Ensure that this product is fully assembled as illustrated before use.
- Please keep the assembly instruction for future reference.
- If for any reason you need to return this item, you must return in original packaging. Please be note that assembled items cannot be returned.

WARNING:

- Always follow the manufacturer's instruction.
- This product should only be used on firm, level ground.
- Keep small parts out of reach of children.
- Do Not use power tools to construct this product.
- Do Not over tighten the screw or bolts.
- Do Not tighten screw until the product is fully assembled.
- Do Not use the bunk bed / high bed if any structural part are missing, damaged or worn.
- Do Not exposed this product to dripping or splashing, rain or areas with heavy moisture.
- Do Not place this product in direct sunlight, open flames such as candles or heat, such as radiators .Keep away from temperature over 35°C.
- High bed and the upper bed of the bunk beds are not suitable for children under six years due to the risk of injury from falls.
- Bunk bed and high bed can be present a serious risk of injury from strangulation if not used correctly. Never attach or hang items to any part of the bunk bed that are not designed to be used with the bed, for example, but not limited to ropes, strings, cords, hooks, belts and bags.
- Children can become trapped between the bed and the wall, a roof pitch, the ceiling, adjoining pieces of furniture (e.g. cupboards) and the like. To avoid risk of serious injury the distance between the top safety barrier and the adjoining structure shall not exceed 75mm or shall be more than 230mm.
- Ensure thickness of mattress below the mark that had been made at the entrance of the upper bunk.
- Ensure using the suitable mattress size / thickness.
- Ensure the ventilation of the room is necessary inn order to keep the humidity low and to prevent mould in and around the bed.
- Ensure the support legs/base remain in contact with the ground at all times, and always use ladder for entering and leaving the high bed and upper bunk.
- Ensure all screws or bolts are tighten and inspect regularly.

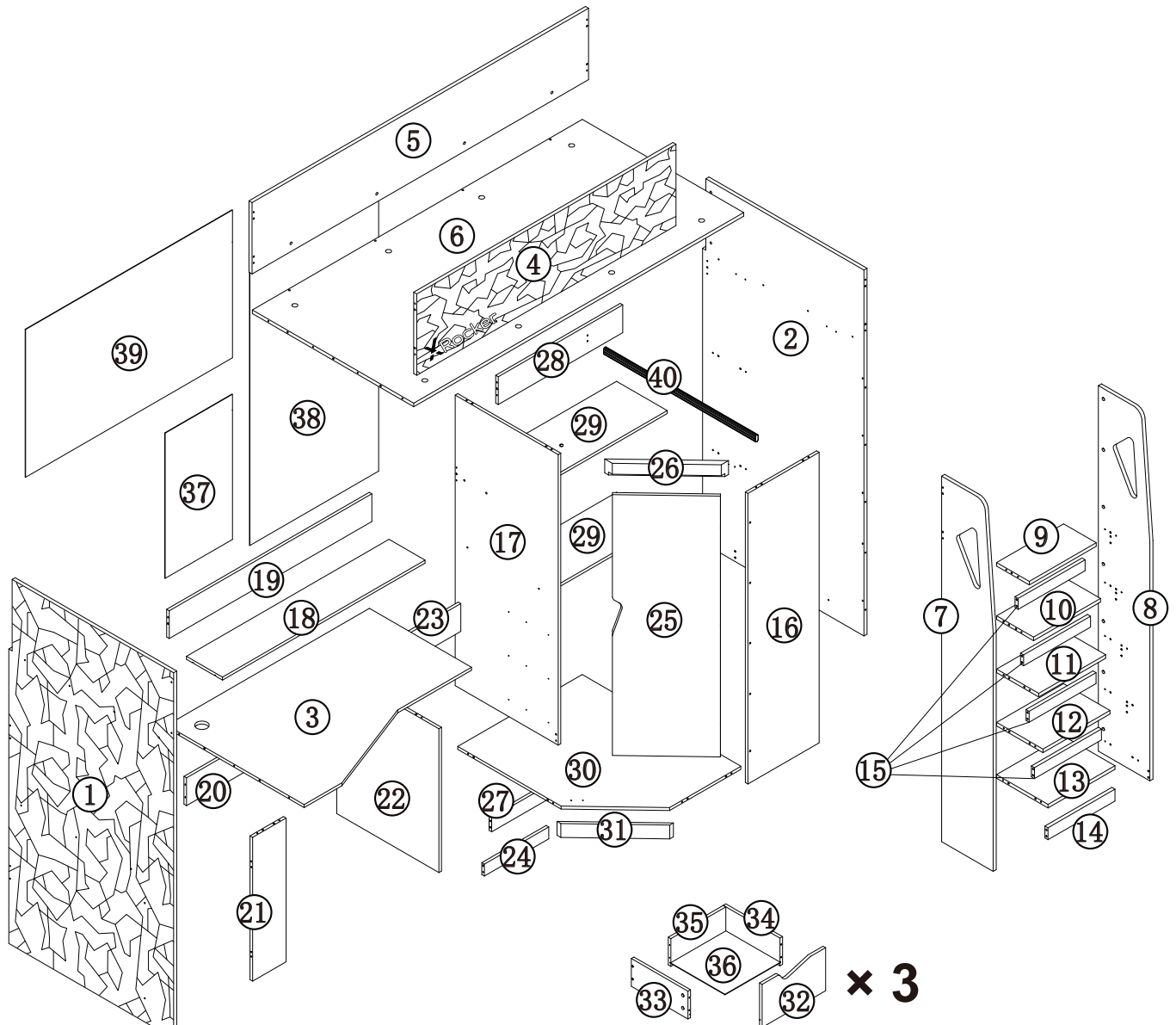
CARE INFORMATION

- Never use scourer, abrasives or chemical cleaners.
- To clean, wipe with a damp sponge and warm soapy water. Do Not use solvent based cleaners or detergents as they can bleach or damage the product.

PARTS AND FITTINGS CHECK LIST

Part List

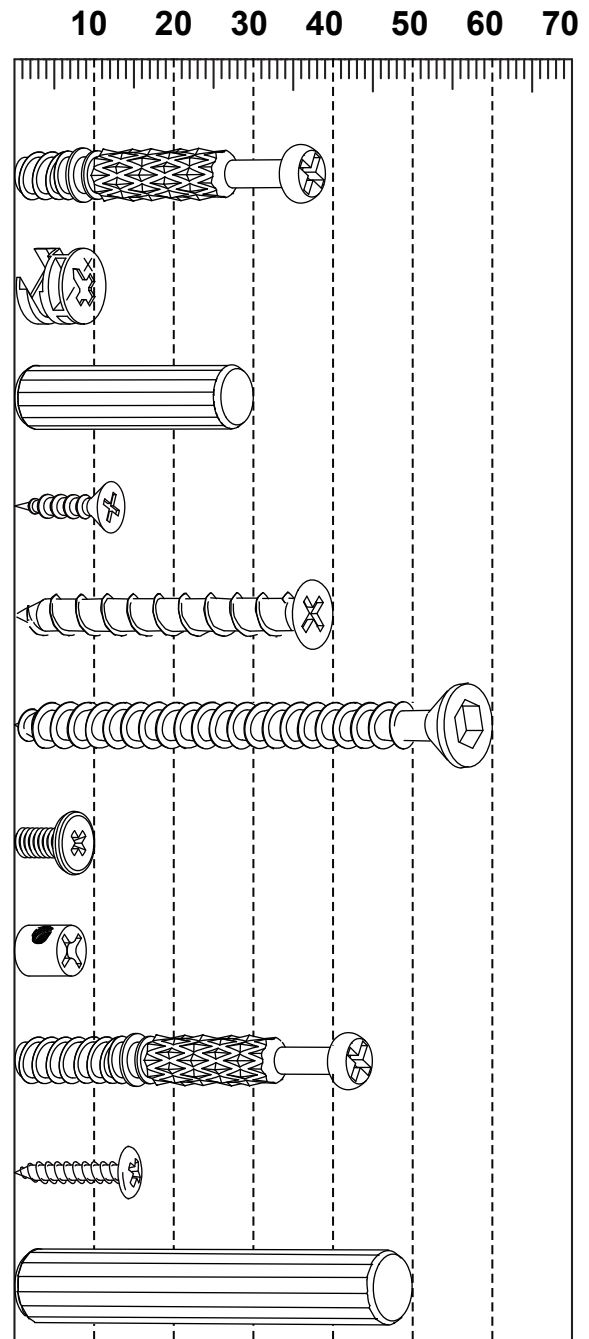
Please check the pack contents before assembling the product. If any components are missing, please contact your retailer. The fittings pack contains small items that should be kept away from small children.



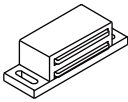
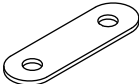
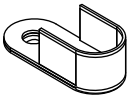


- | | | |
|-------------------------|---------------------------|--|
| ① Left Panel | ⑩ Ladder Step (2nd) | ⑲ Shelf Backboard Support (Inner) |
| ② Right Panel | ⑪ Ladder Step (3rd) | ⑳ Desk Bottom Panel (Back) |
| ③ Desk Top | ⑫ Ladder Step (4th) | ㉑ Desk Bottom Panel (Front) |
| ④ Upper Bed Front Panel | ⑬ Ladder Base | ㉒ Desk Side Panel |
| ⑤ Upper Bed Back Panel | ⑭ Ladder Bottom Panel Bar | ㉓ Drawer Back Support |
| ⑥ Bed Base | | ㉔ Drawer Bottom Panel Bar |
| ⑦ Ladder Left Panel | | ㉕ Wardrobe Door |
| ⑧ Ladder Right Panel | | ㉖ Wardrobe Door (Upper Panel Bar) |
| ⑨ Ladder Step (1st) | | ㉗ Wardrobe Base (Bottom Panel Support) |
| | | ㉘ Wardrobe Back Support (Inner) |
| | | ㉙ Wardrobe Shelf |
| | | ㉚ Wardrobe Base |
| | | ㉛ Wardrobe Door (Bottom Panel Bar) |
| | | ㉜ Drawer Front Panel |
| | | ㉝ Drawer Left Panel |
| | | ㉞ Drawer Right Panel |
| | | ㉟ Drawer Back Panel |
| | | ㊱ Drawer Base |
| | | ㊲ Desk Backboard (Bottom) |
| | | ㊳ Wardrobe Backboard |
| | | ㊴ Desk Backboard (Upper) |
| | | ㊵ Cloth Hanging Rail |

Fittings (to scale)

Code	Item	Quantity
A	Cam Lock (Ø7x39mm)	67
B	Cam Bolt (Ø14.5x11.5mm)	74
C	Wood Dowel (Ø8x30mm)	89
D	Screw (Ø3.5x14mm)	72
E	Screw (Ø5x40mm)	12
F	Bolt (Ø5x60mm)	45
G	Screw (Ø6x10mm)	32
H	Nut (Ø9.5x9mm)	45
I	CAM Lock (Ø7x45mm)	7
J	Screw (Ø3x16mm)	45
K	Wood Dowel (Ø8x50mm)	2



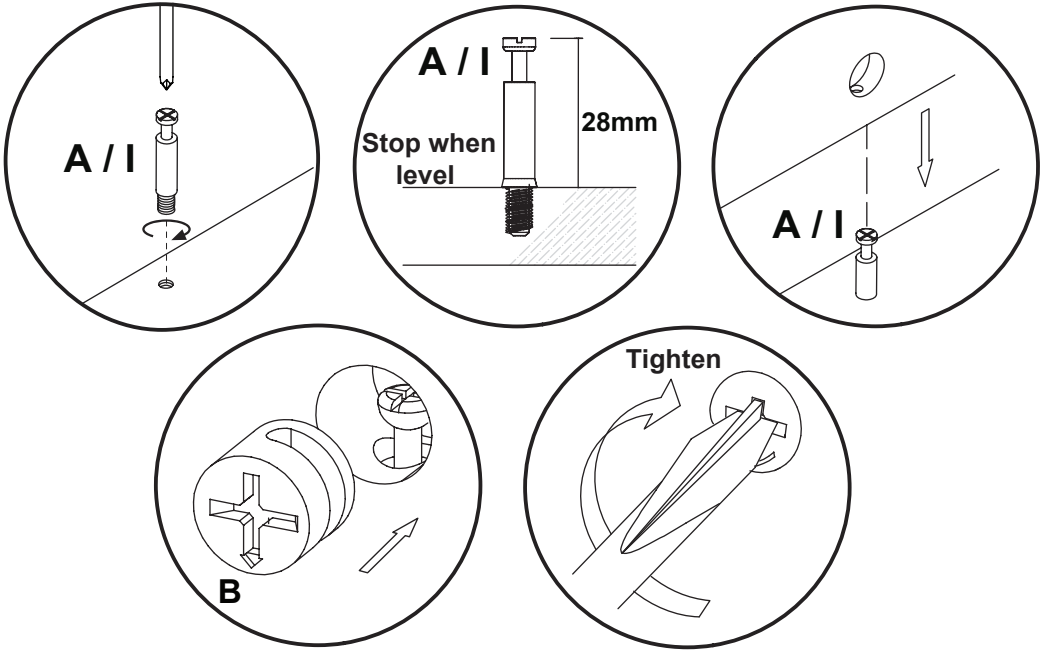
Fittings (Not to scale)

L	Magnetic Door Stopper	1	
M	Door Stopper Metal Plate	1	
N	Hanging Rail Holder	2	
O	Wardrobe Door Panel Metal Joint	4	
P	Cable Hole Cover	1	

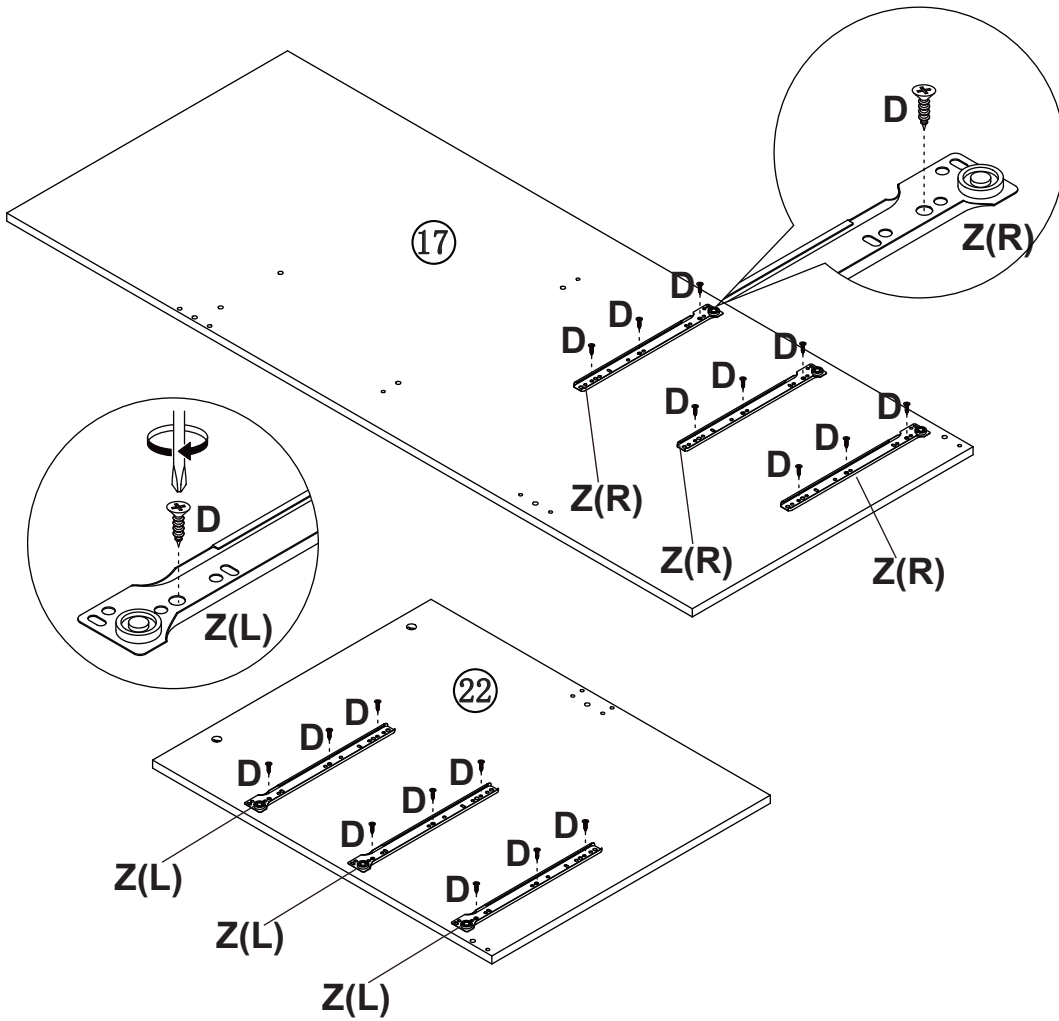
Fittings (Not to scale)

Q	Metal Joint Plate (Backboard)	10	
R	Desk Shelf Support Pin	4	
S	Wardrobe Door Panel Hinges	2	
T	Metal Joint Plate	8	
U	Wardrobe Door Hinges	3	
V	Allen Key	1	
W	Paper Sticker (For Screw Hole Cover)	1 set	
X	Bed Base Ventilation Cover	8	
Y	Drawer Base Runner Sets (L+R)	3	
Z	Cabinet Runner Sets (L+R)	3	

General Hints & Tips

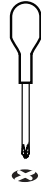


STEP 1



For this step:

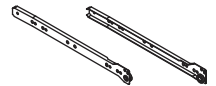
Tools required



Fittings required



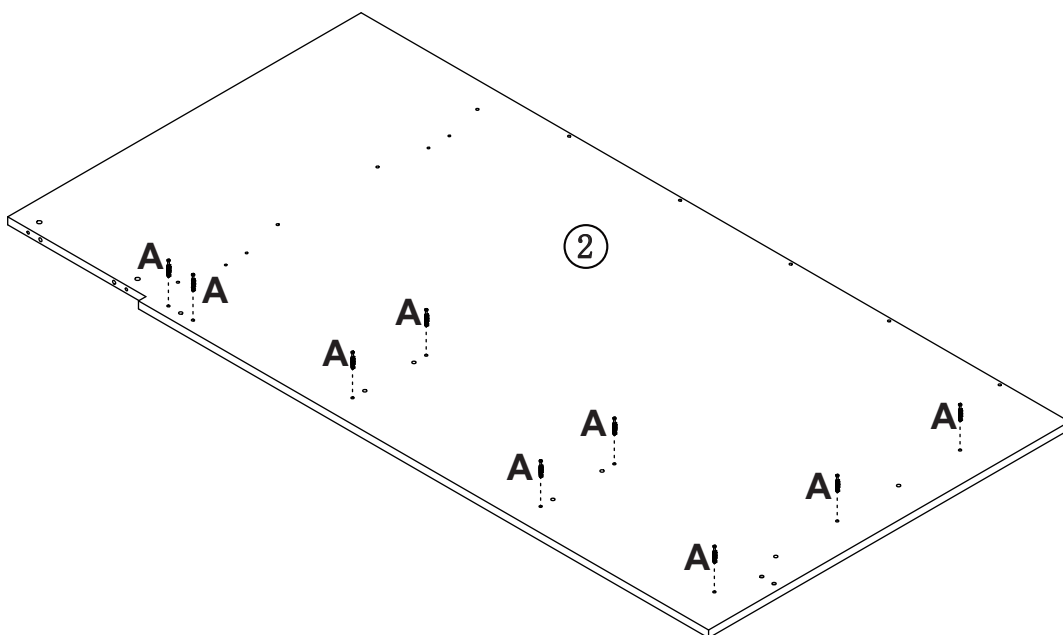
D x 18



Cabinet Runner Sets (L+R)

Z x 3

STEP 2



For this step:

Tools required

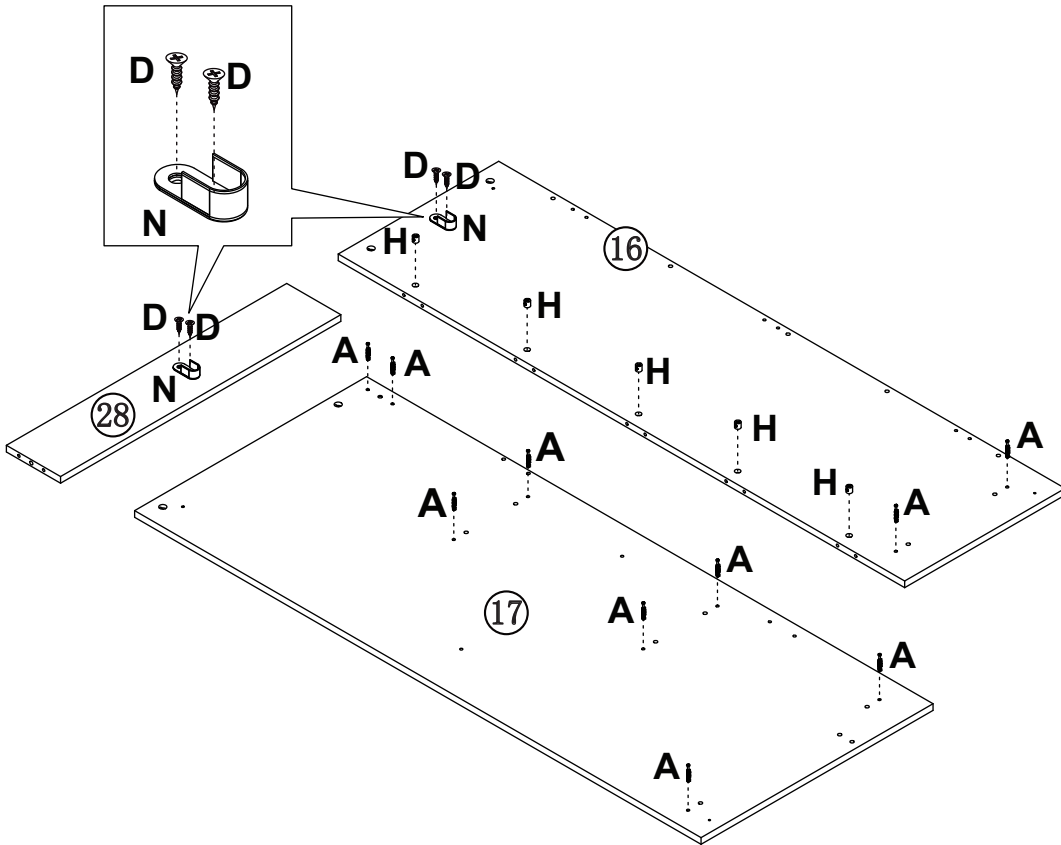


Fittings required



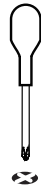
A x 9

STEP 3



For this step:

Tools required



Fittings required



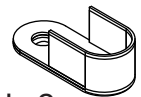
A x10



D x4

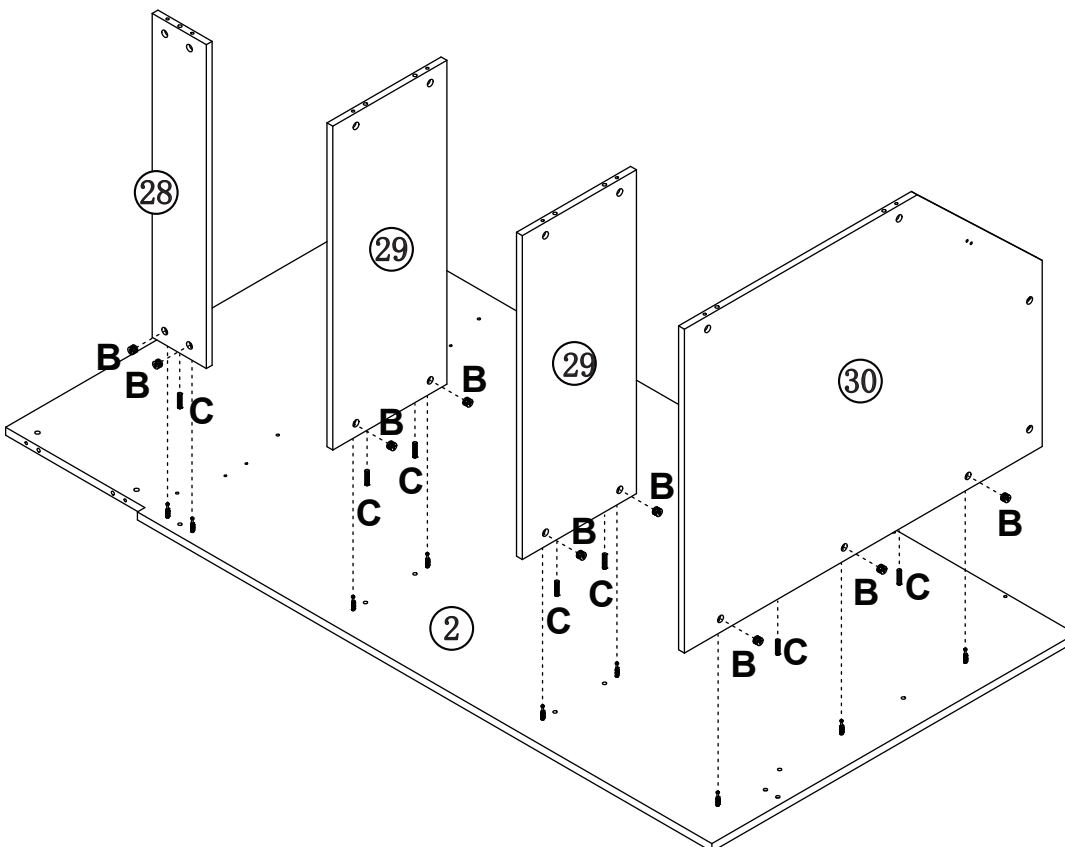


H x5



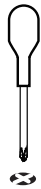
N x2

STEP 4



For this step:

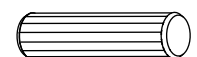
Tools required



Fittings required

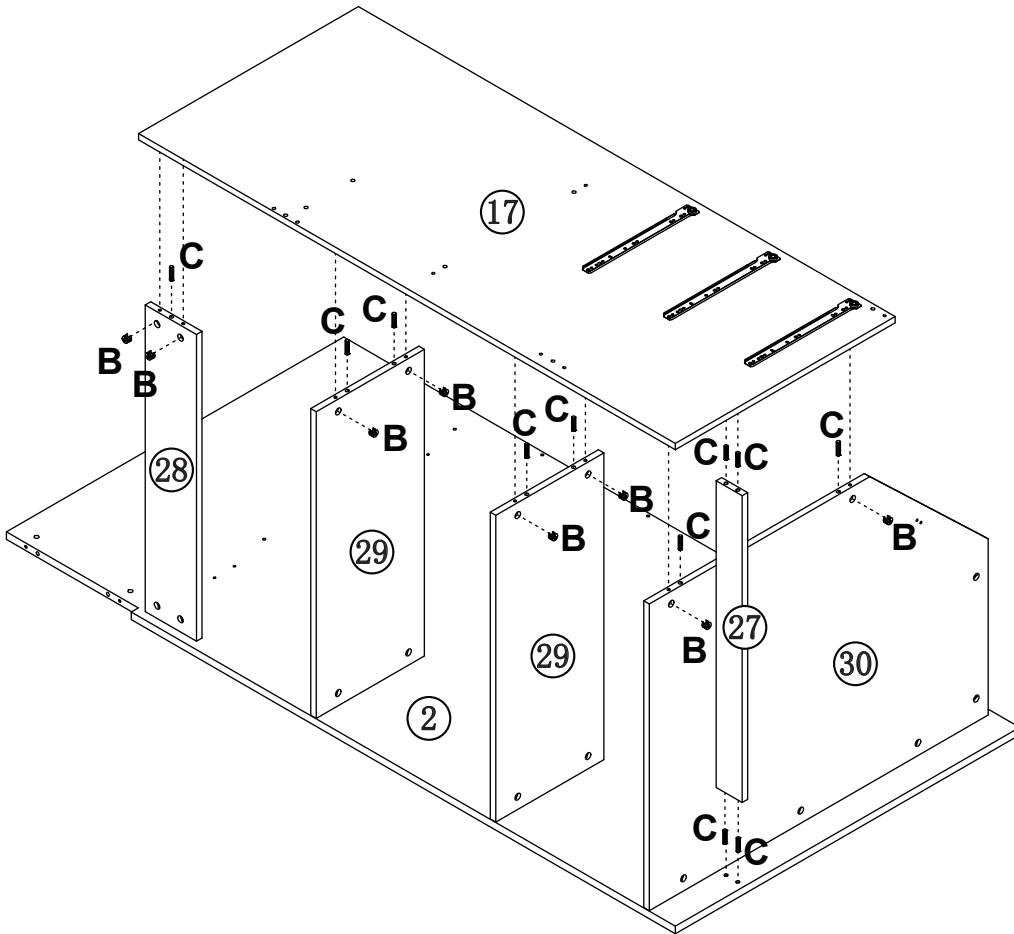


B x9

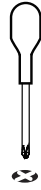


C x7

STEP 5



For this step:
Tools required



Fittings required

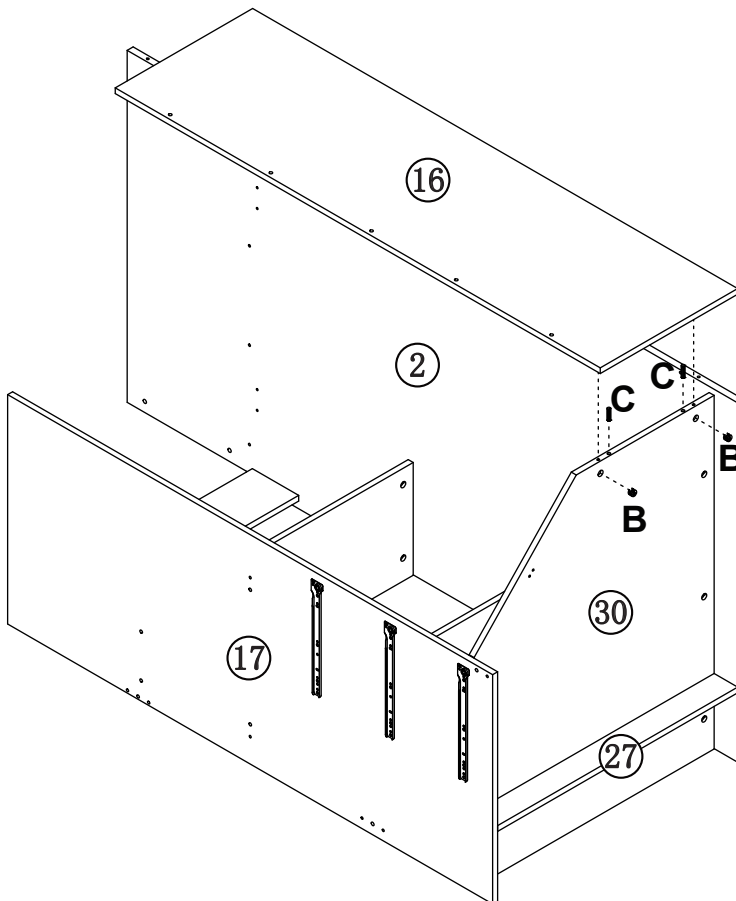


B x8

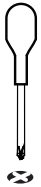


C x11

STEP 6



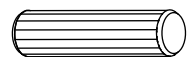
For this step:
Tools required



Fittings required

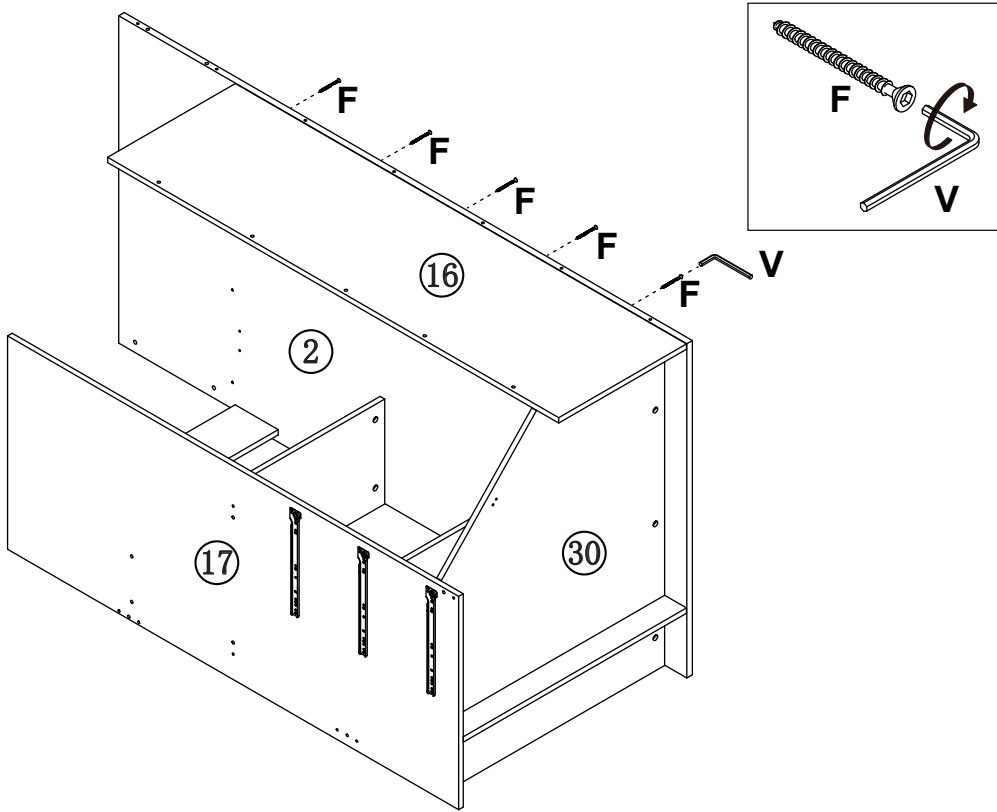


B x2



C x2

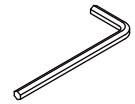
STEP 7



Fittings required

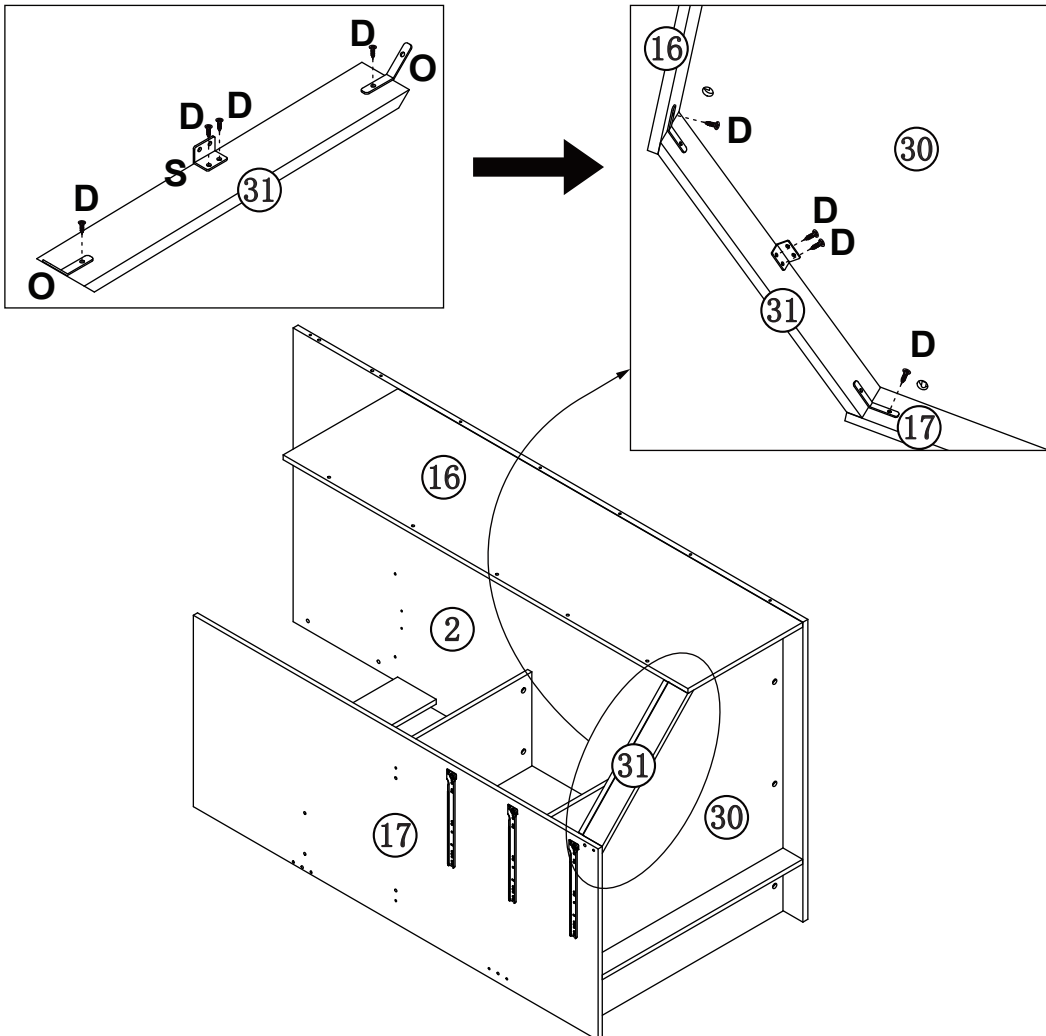


F x5



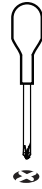
V x1

STEP 8



For this step:

Tools required



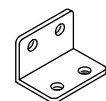
Fittings required



D x8

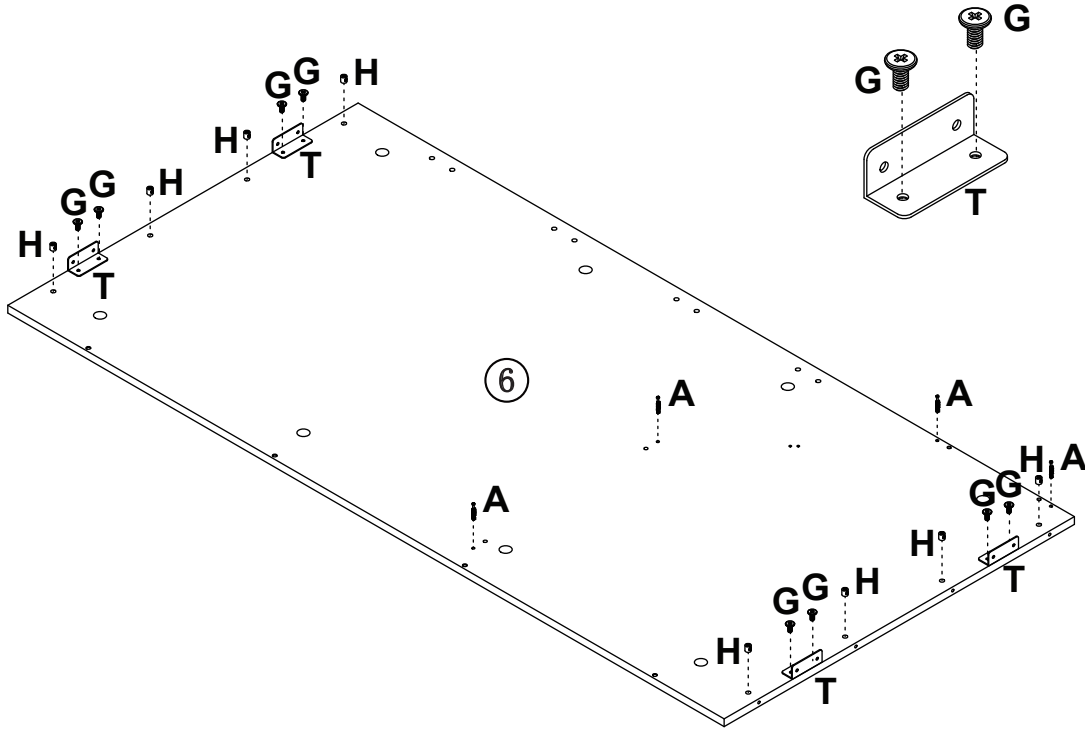


O x2



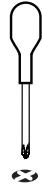
S x1

STEP 9



For this step:

Tools required



Fittings required



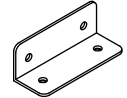
A x4



G x8

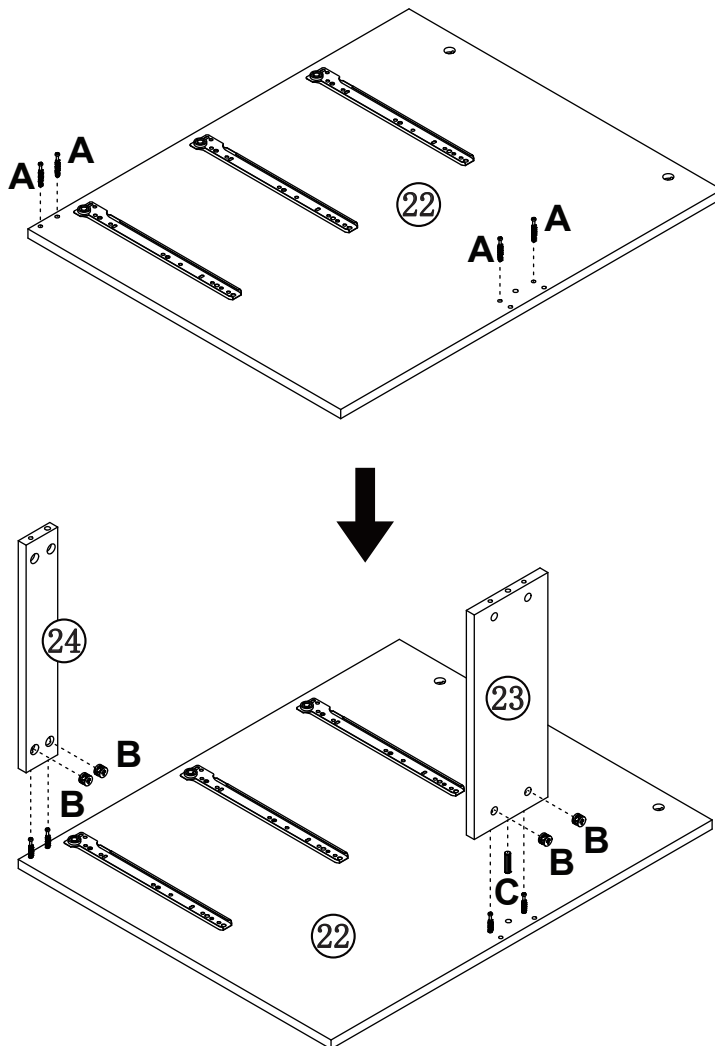


H x8



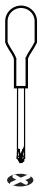
T x4

STEP 10



For this step:

Tools required



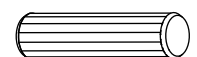
Fittings required



A x4

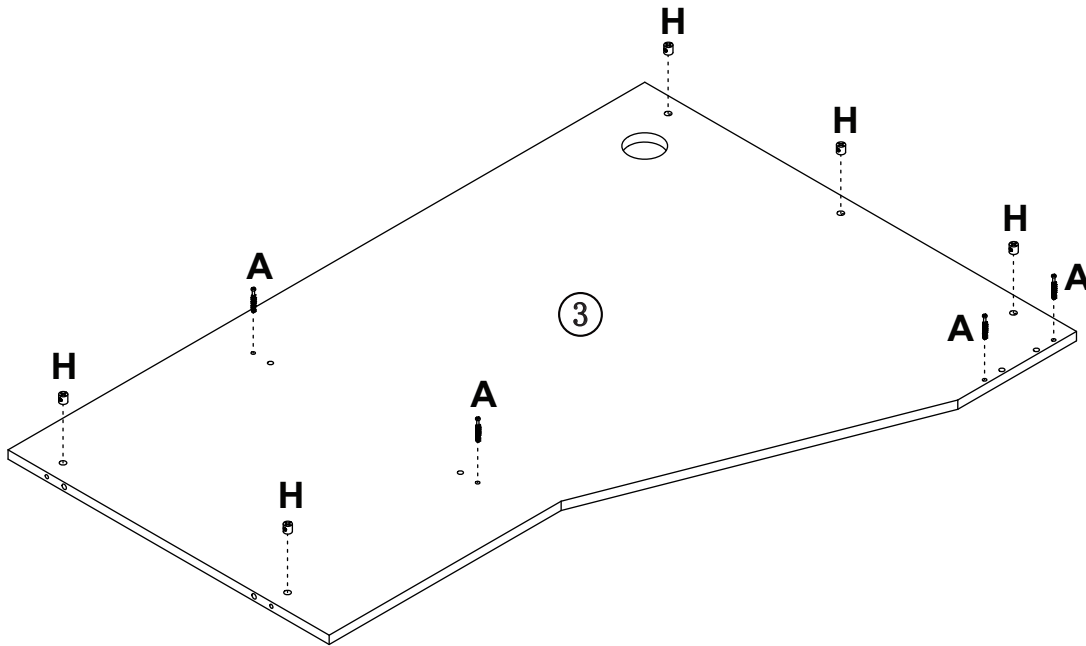


B x4



C x1

STEP 11



For this step:

Tools required



Fittings required

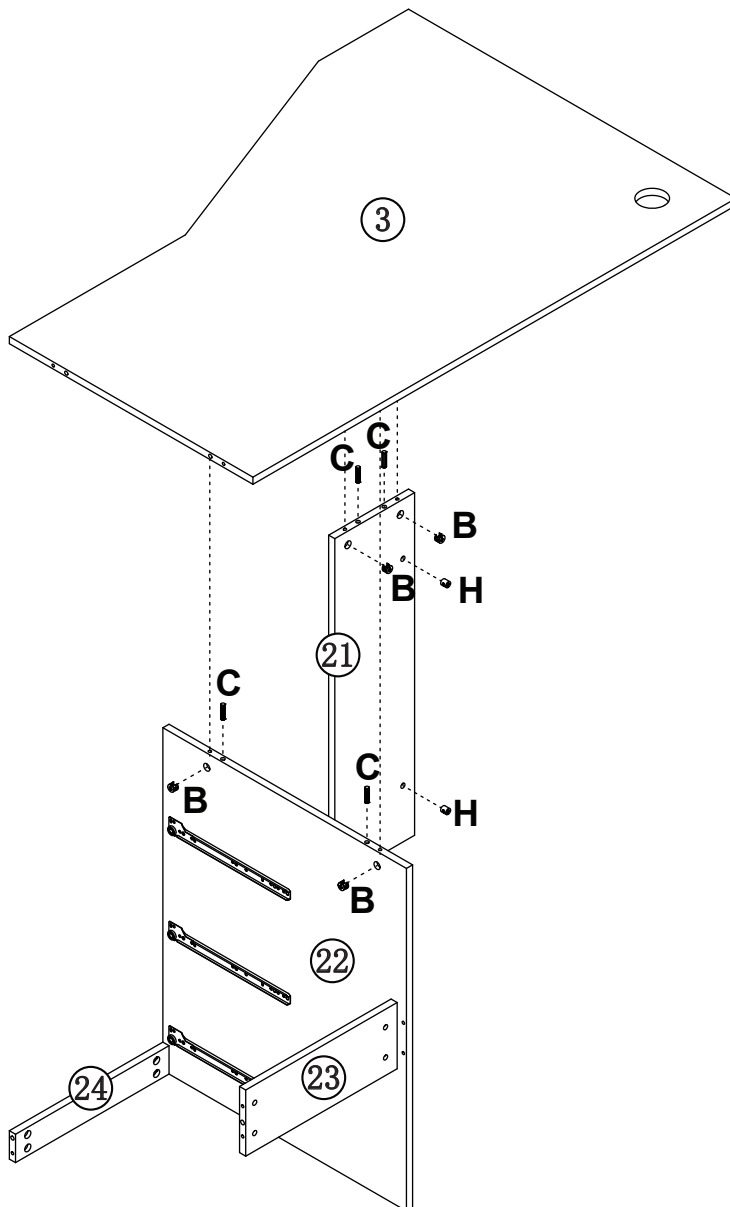


A x4



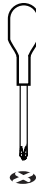
H x5

STEP 12



For this step:

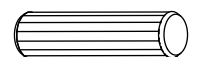
Tools required



Fittings required



B x4

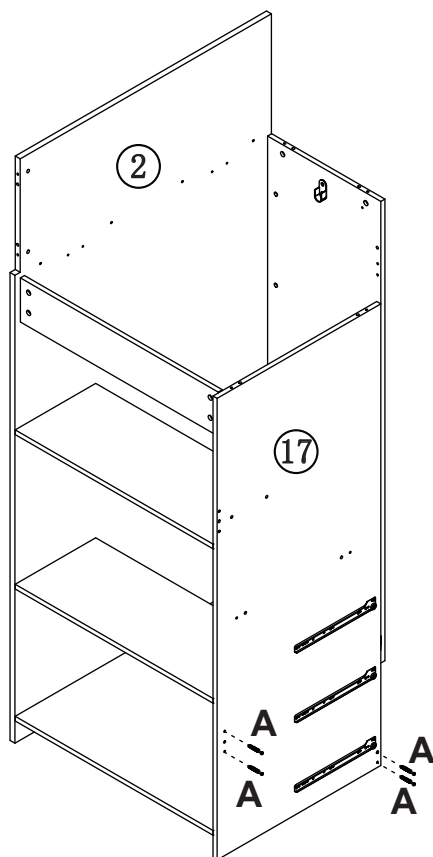


C x4



H x2

STEP 13



For this step:

Tools required

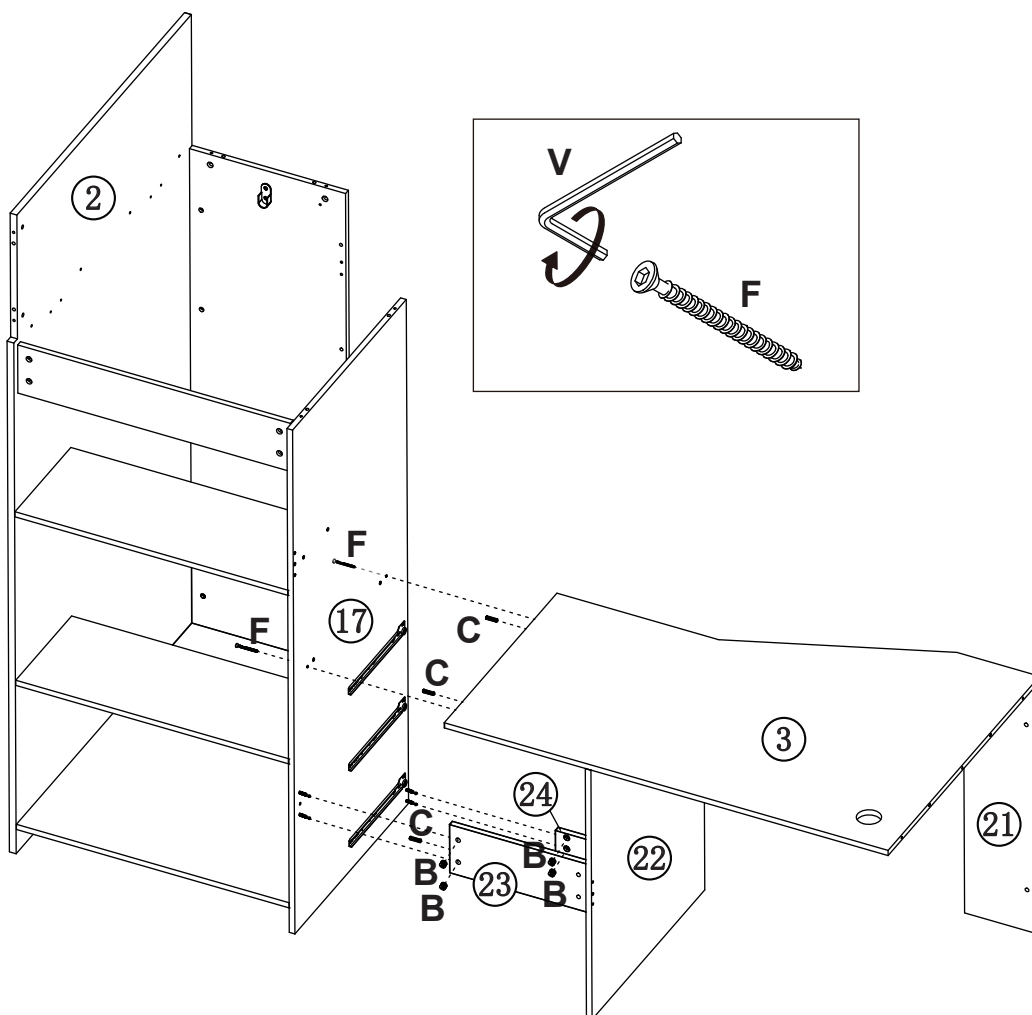


Fittings required



A x4

STEP 14



For this step:

Tools required



Fittings required



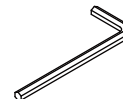
B x4



C x3

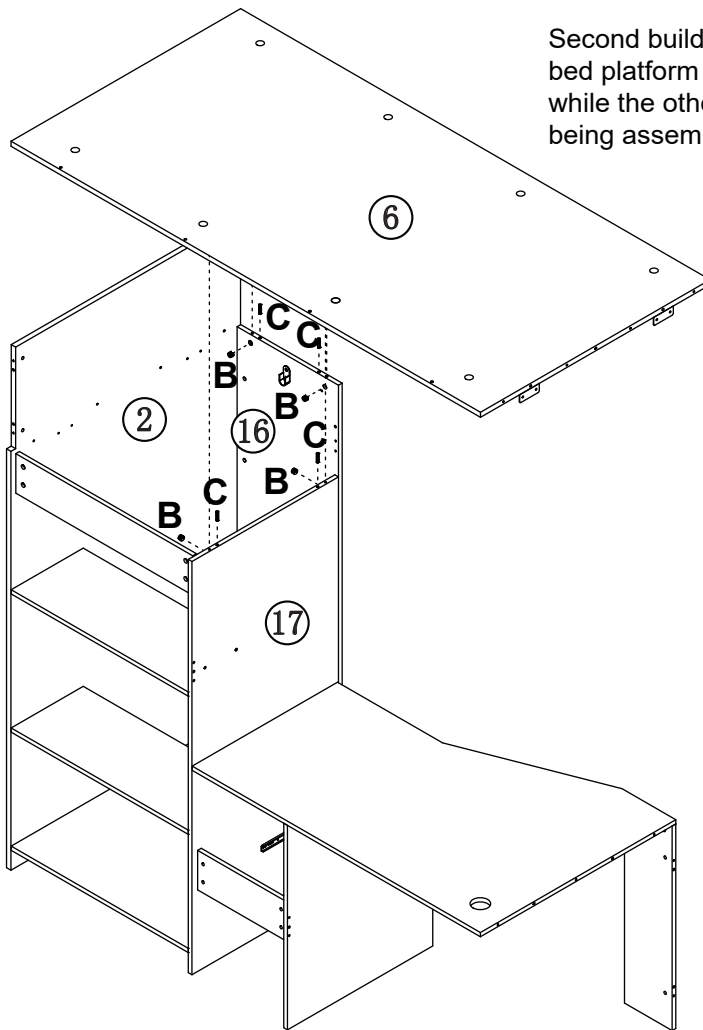


F x2



V x1

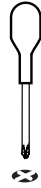
STEP 15



Second builder to hold the bed platform (6) in place while the other parts are being assembled.

For this step:

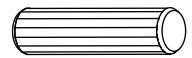
Tools required



Fittings required

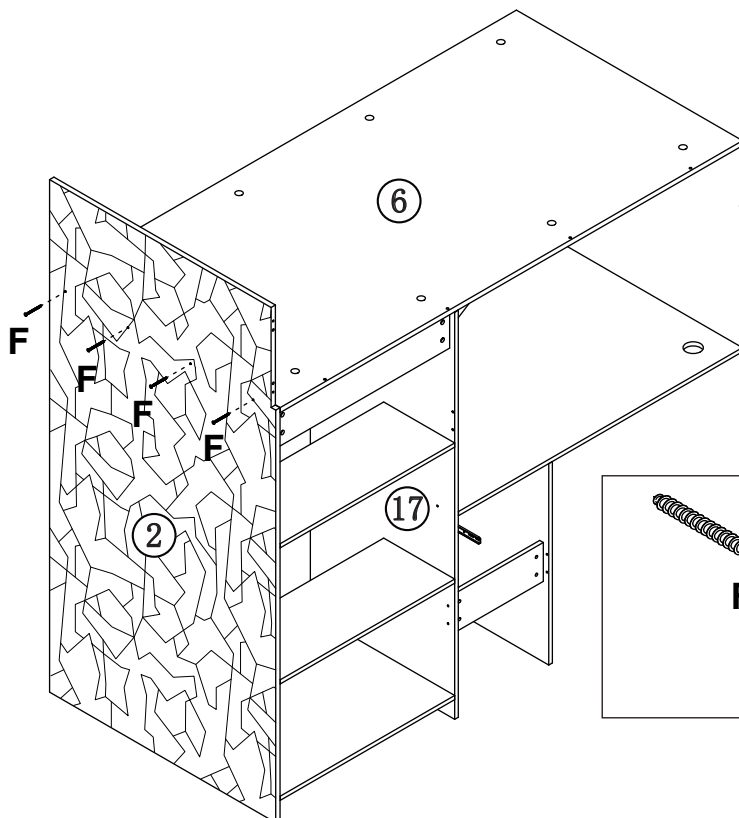


B x4



C x4

STEP 16

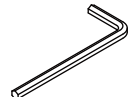


Second builder to hold the bed platform (6) in place while the other parts are being assembled.

Fittings required

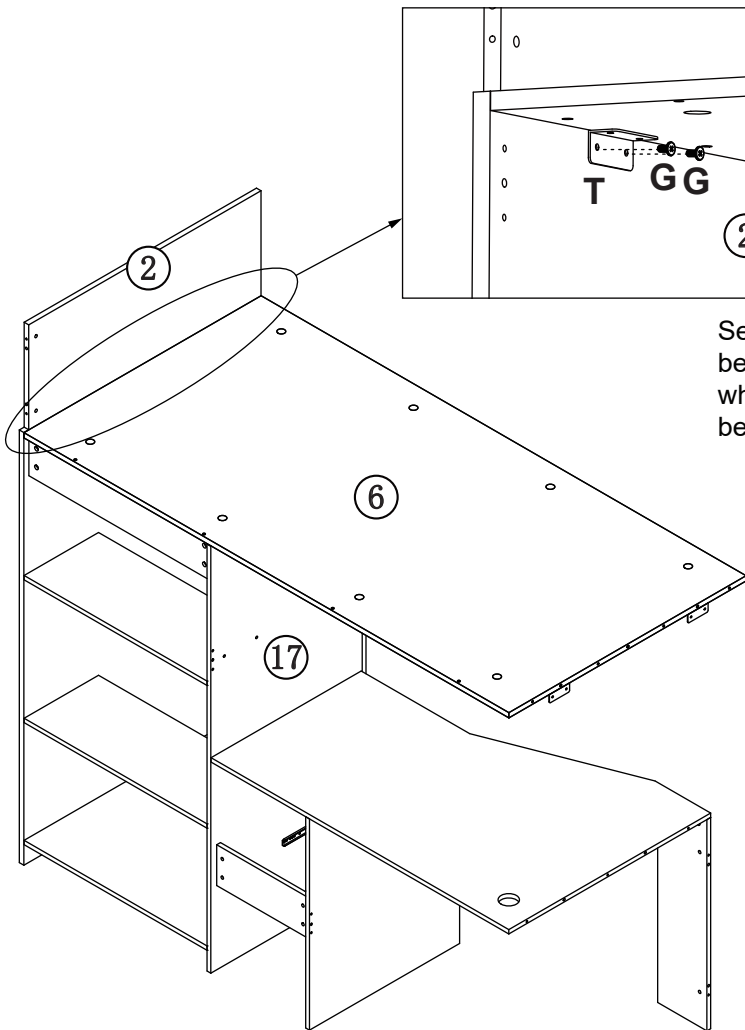


F x4



V x1

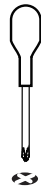
STEP 17



Second builder to hold the bed platform (6) in place while the other parts are being assembled.

For this step:

Tools required

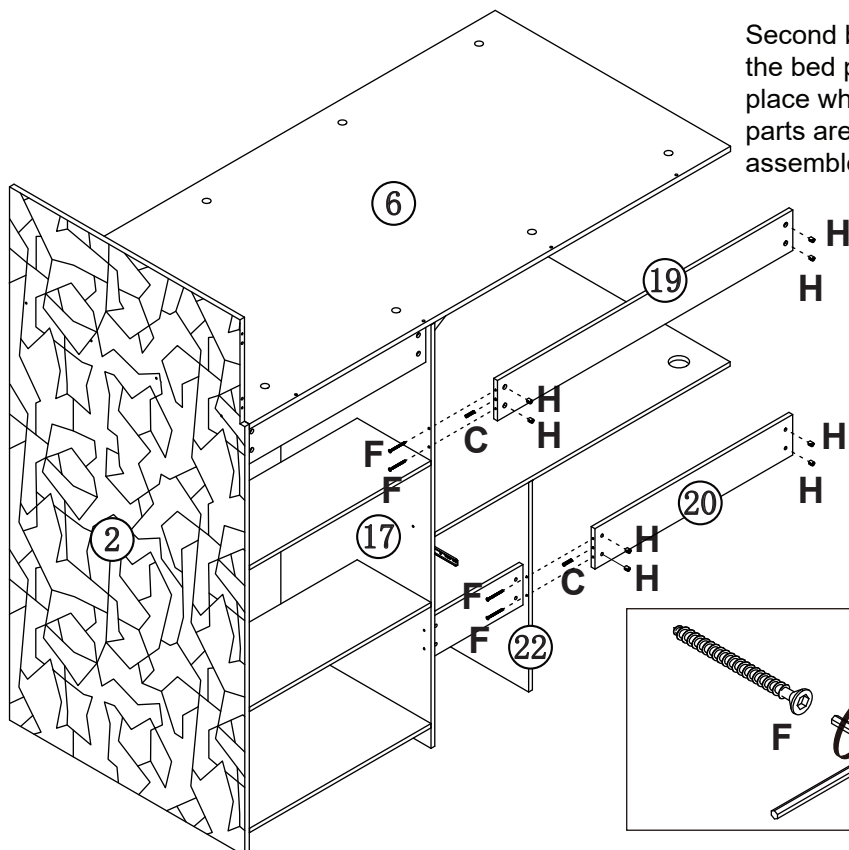


Fittings required



G x4

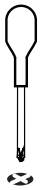
STEP 18



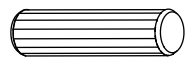
Second builder to hold the bed platform (6) in place while the other parts are being assembled.

For this step:

Tools required



Fittings required



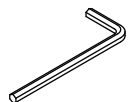
C x2



F x4

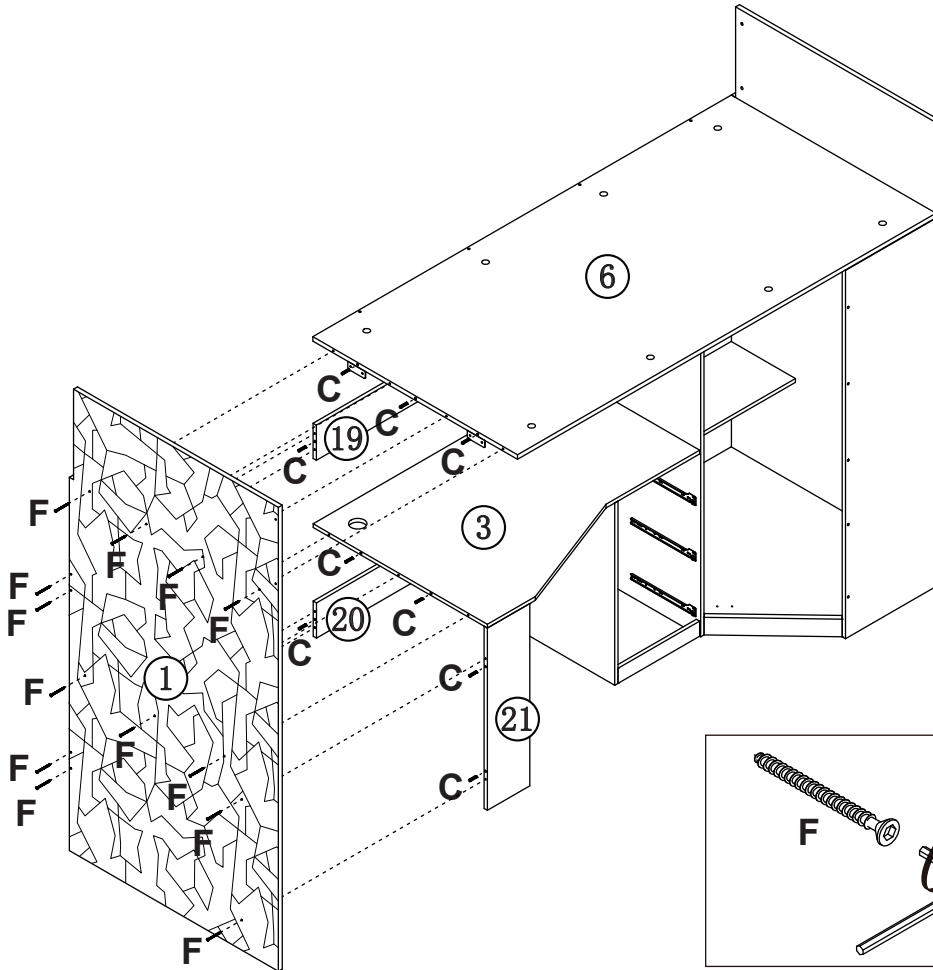


H x8

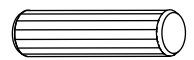


V x1

STEP 19



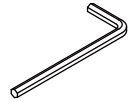
Fittings required



C x9

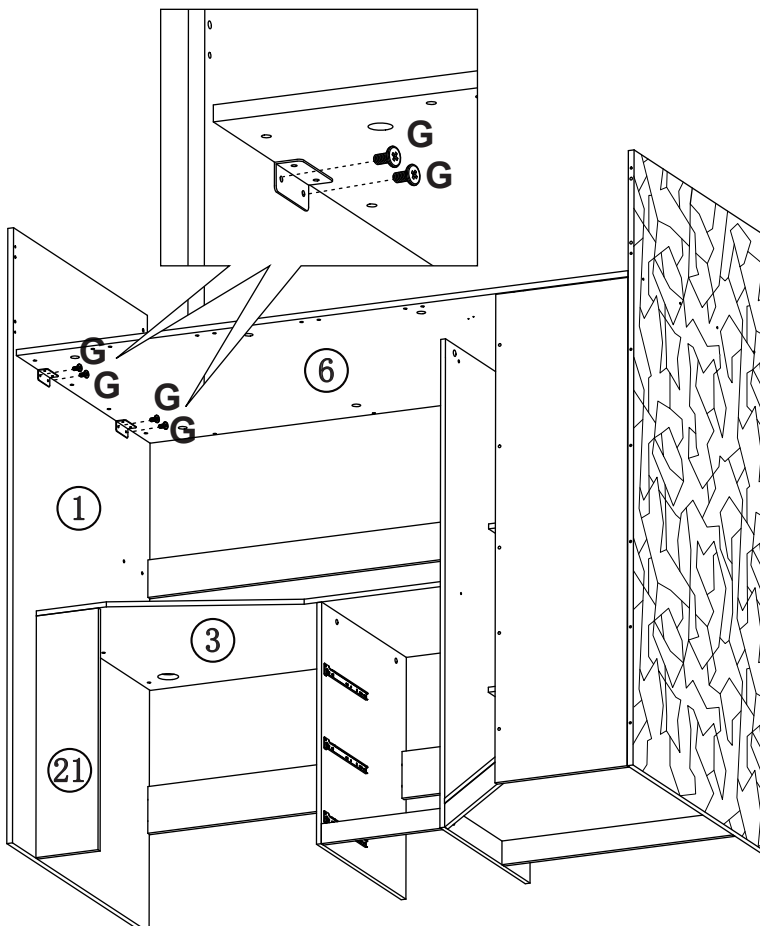


F x13



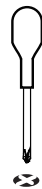
V x1

STEP 20



For this step:

Tools required

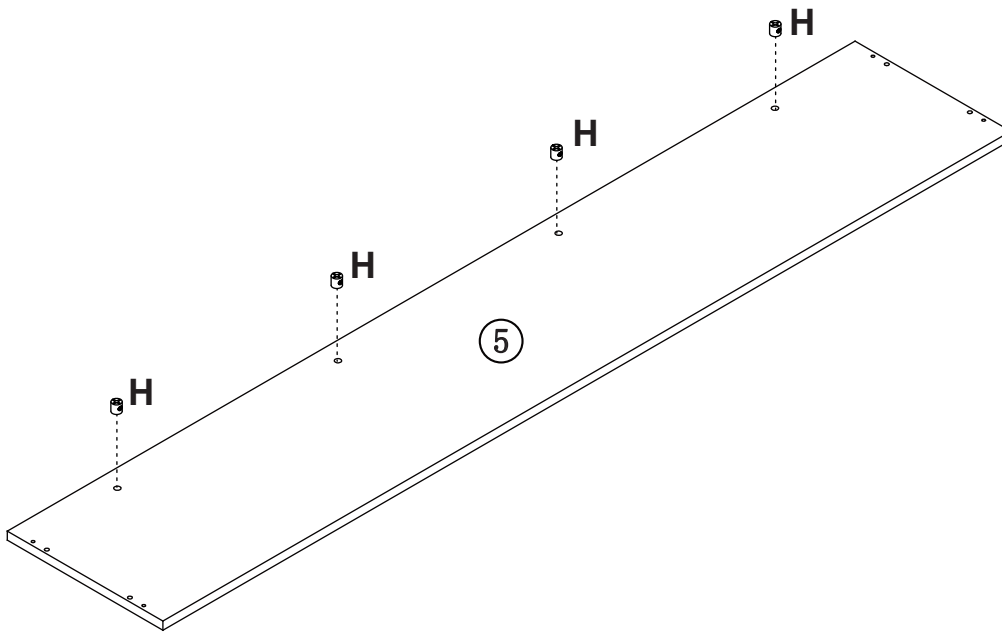


Fittings required



G x4

STEP 21



For this step:

Tools required

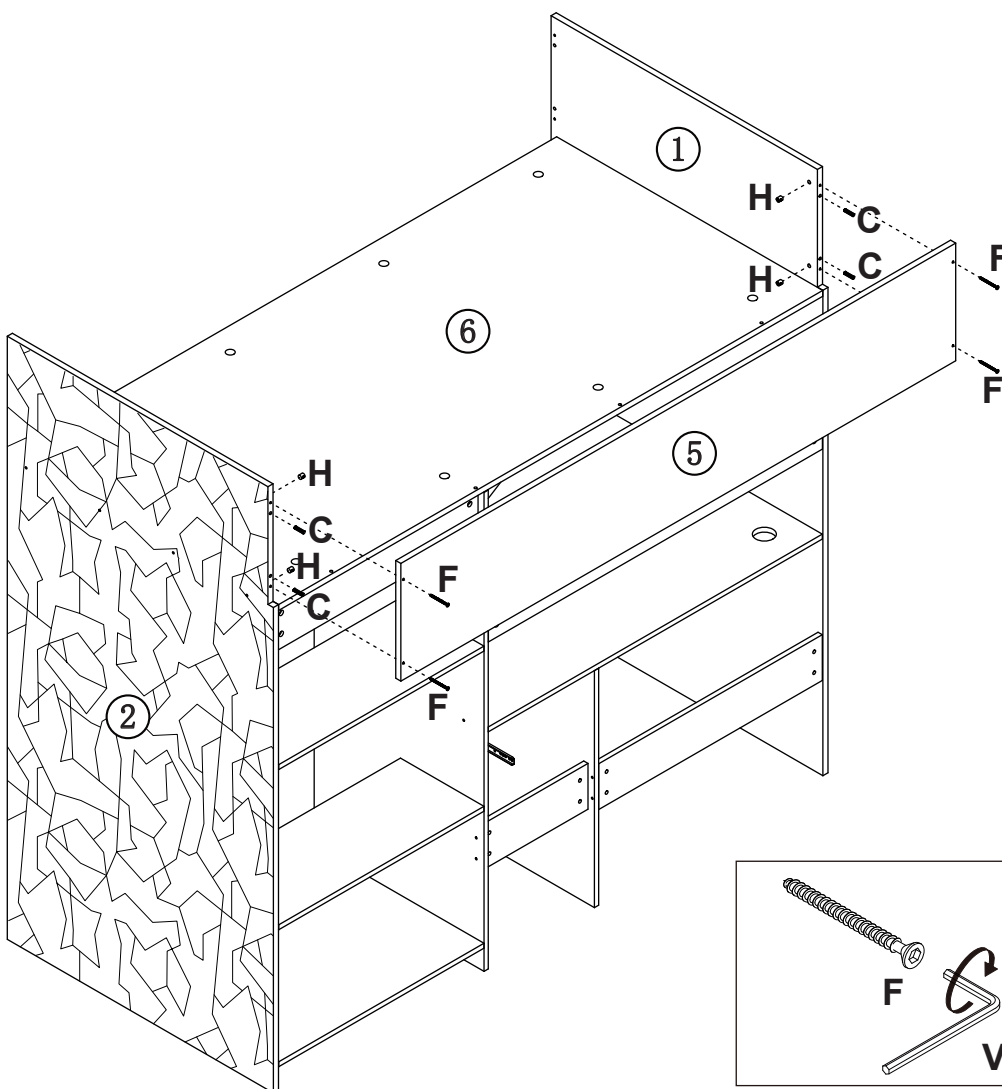


Fittings required



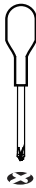
H x4

STEP 22

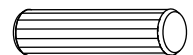


For this step:

Tools required



Fittings required



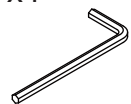
C x4



F x4

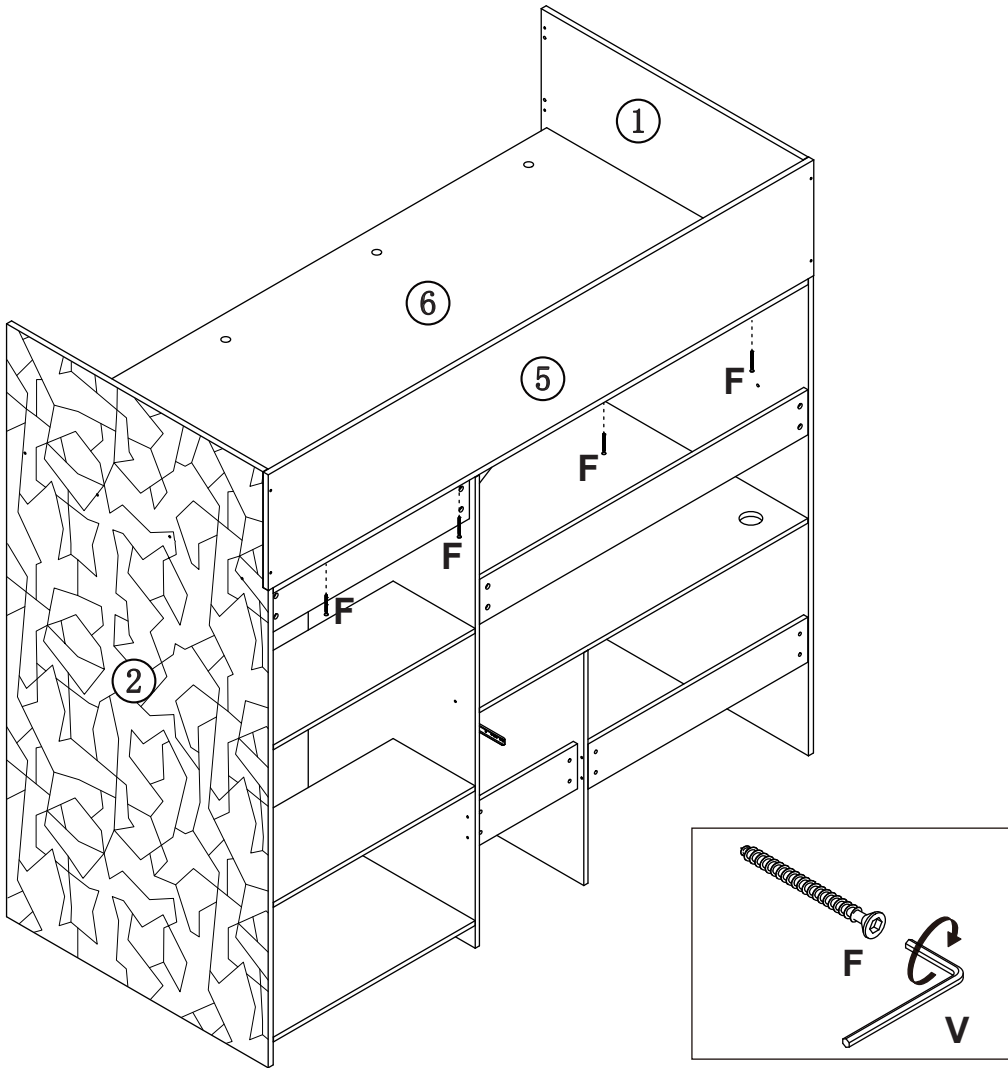


H x4



V x1

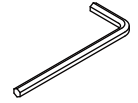
STEP 23



Fittings required

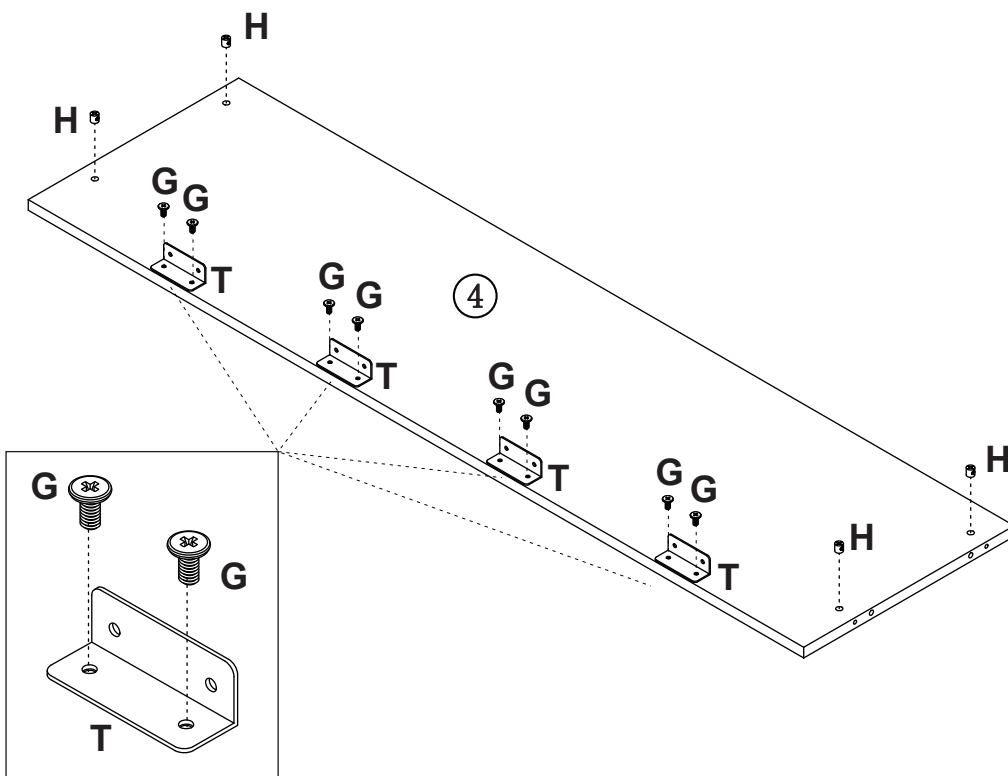


F x4



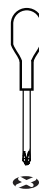
V x1

STEP 24



For this step:

Tools required



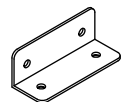
Fittings required



G x8

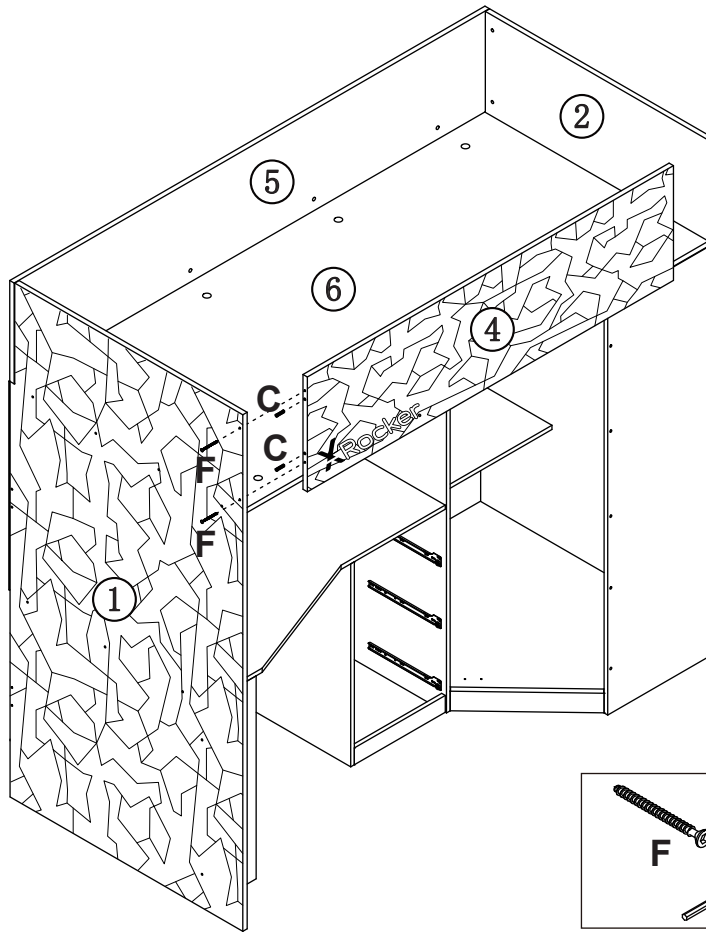


H x4

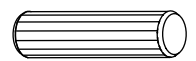


T x4

STEP 25



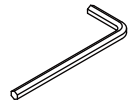
Fittings required



C x2

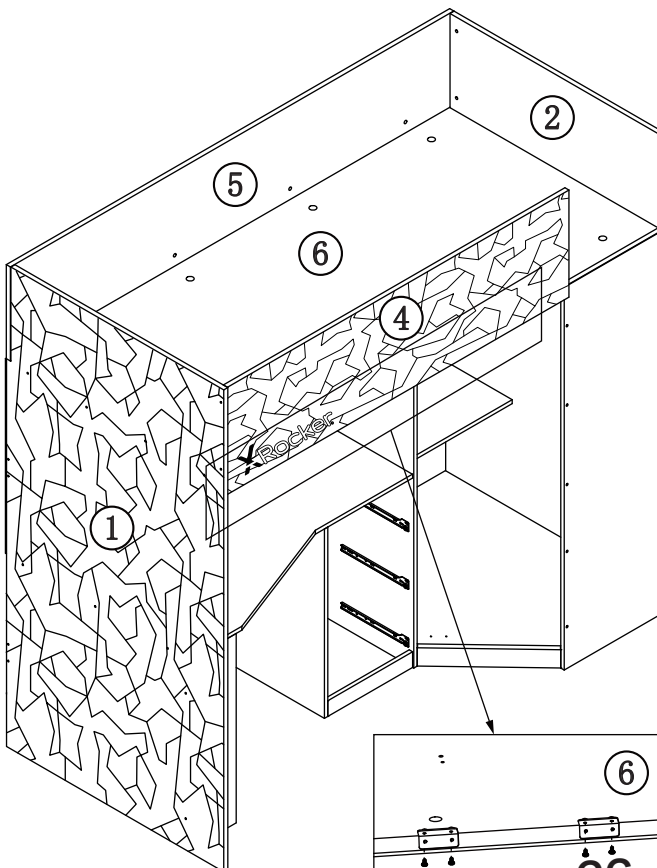


F x2



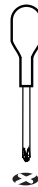
V x1

STEP 26



For this step:

Tools required

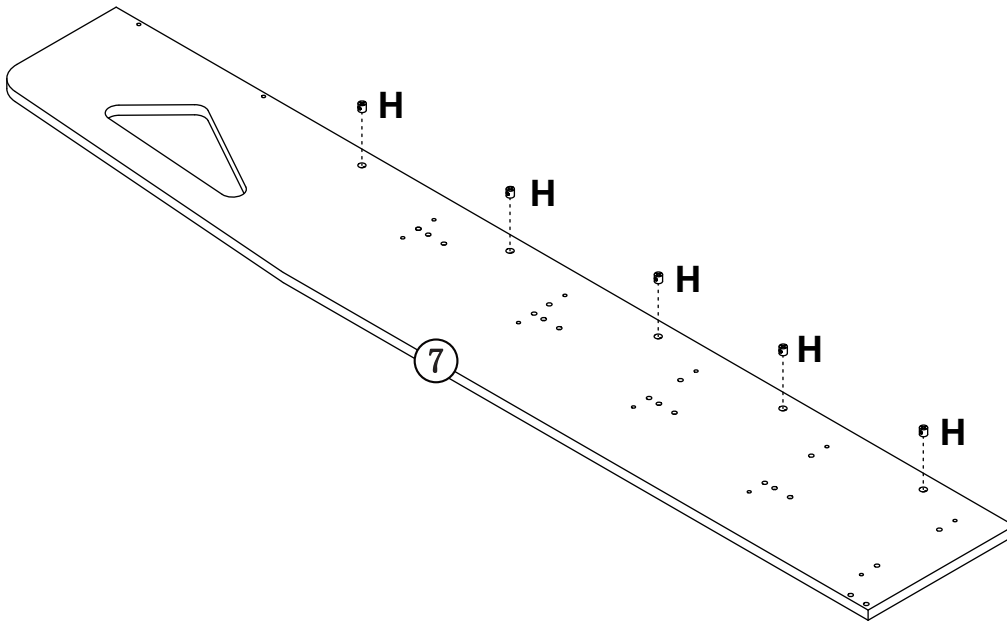


Fittings required

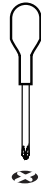


G x8

STEP 27



For this step:
Tools required

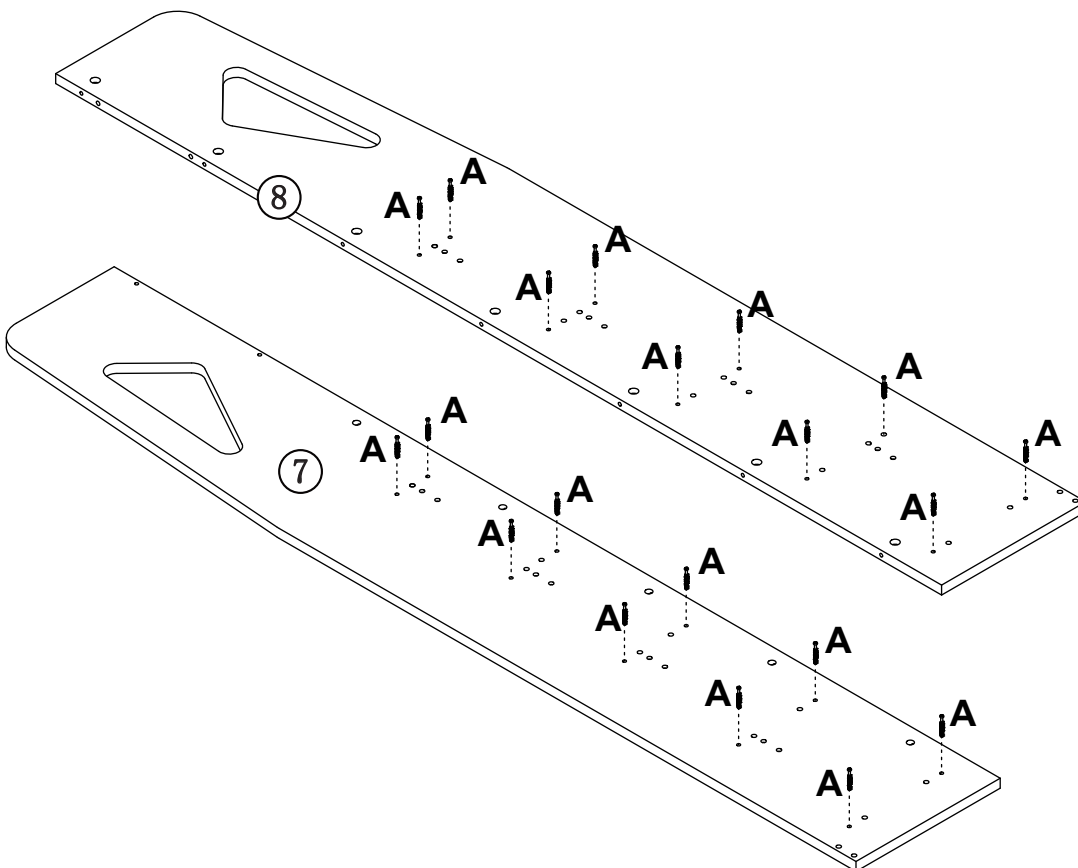


Fittings required

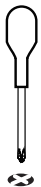


H x5

STEP 28



For this step:
Tools required

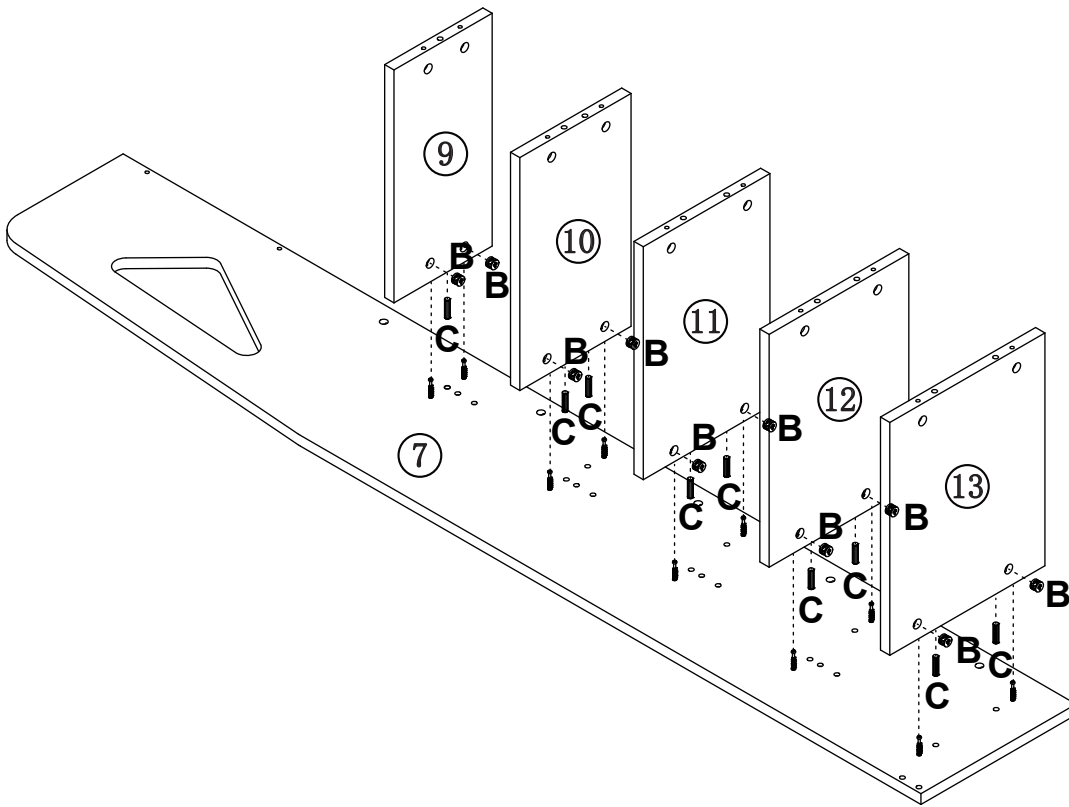


Fittings required



A x20

STEP 29



For this step:

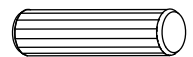
Tools required



Fittings required

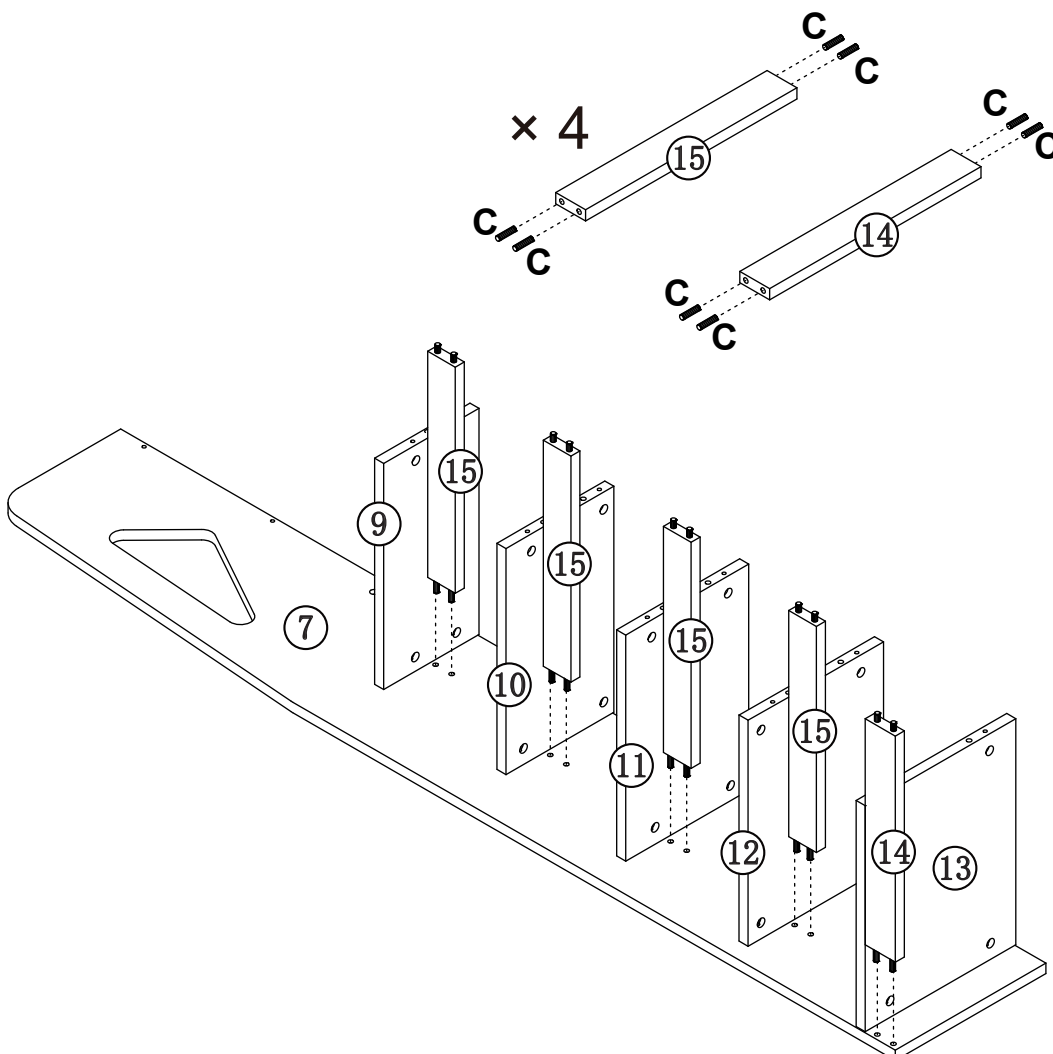


B x10

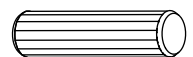


C x9

STEP 30

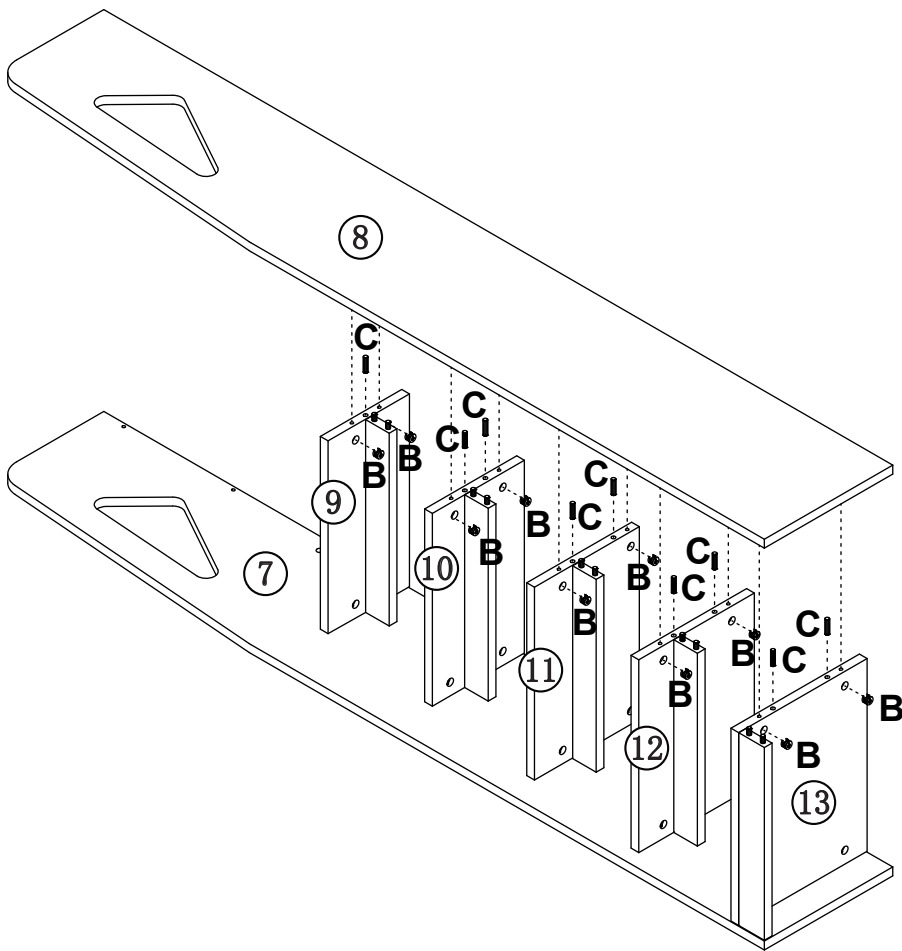


Fittings required



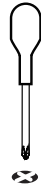
C x20

STEP 31



For this step:

Tools required



Fittings required

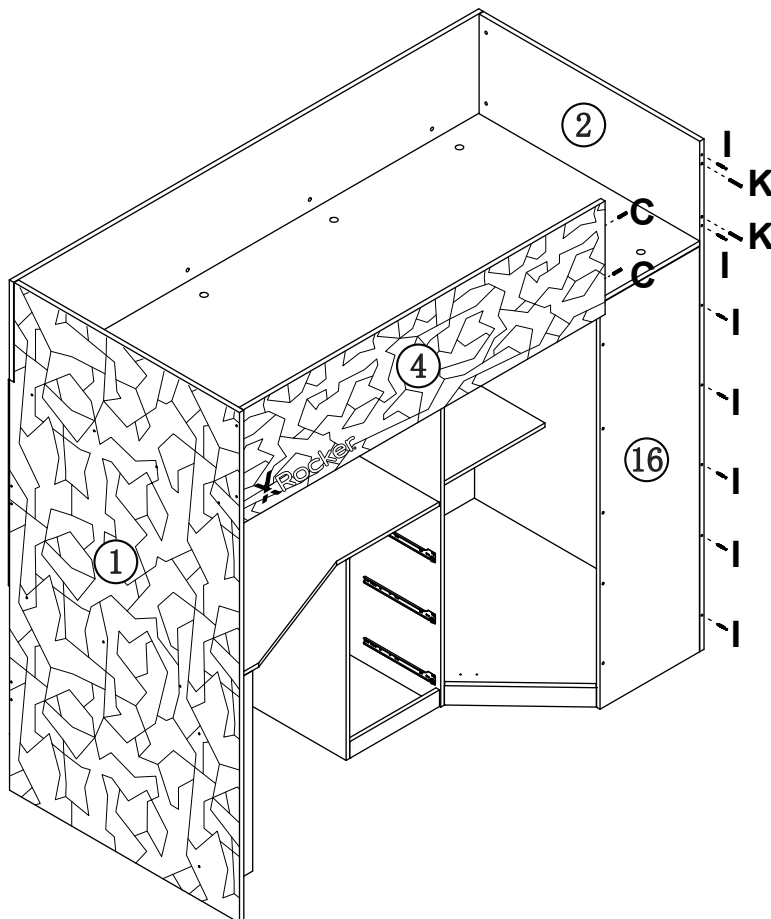


B x10



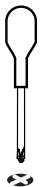
C x9

STEP 32

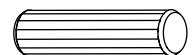


For this step:

Tools required



Fittings required



C x2



I x7

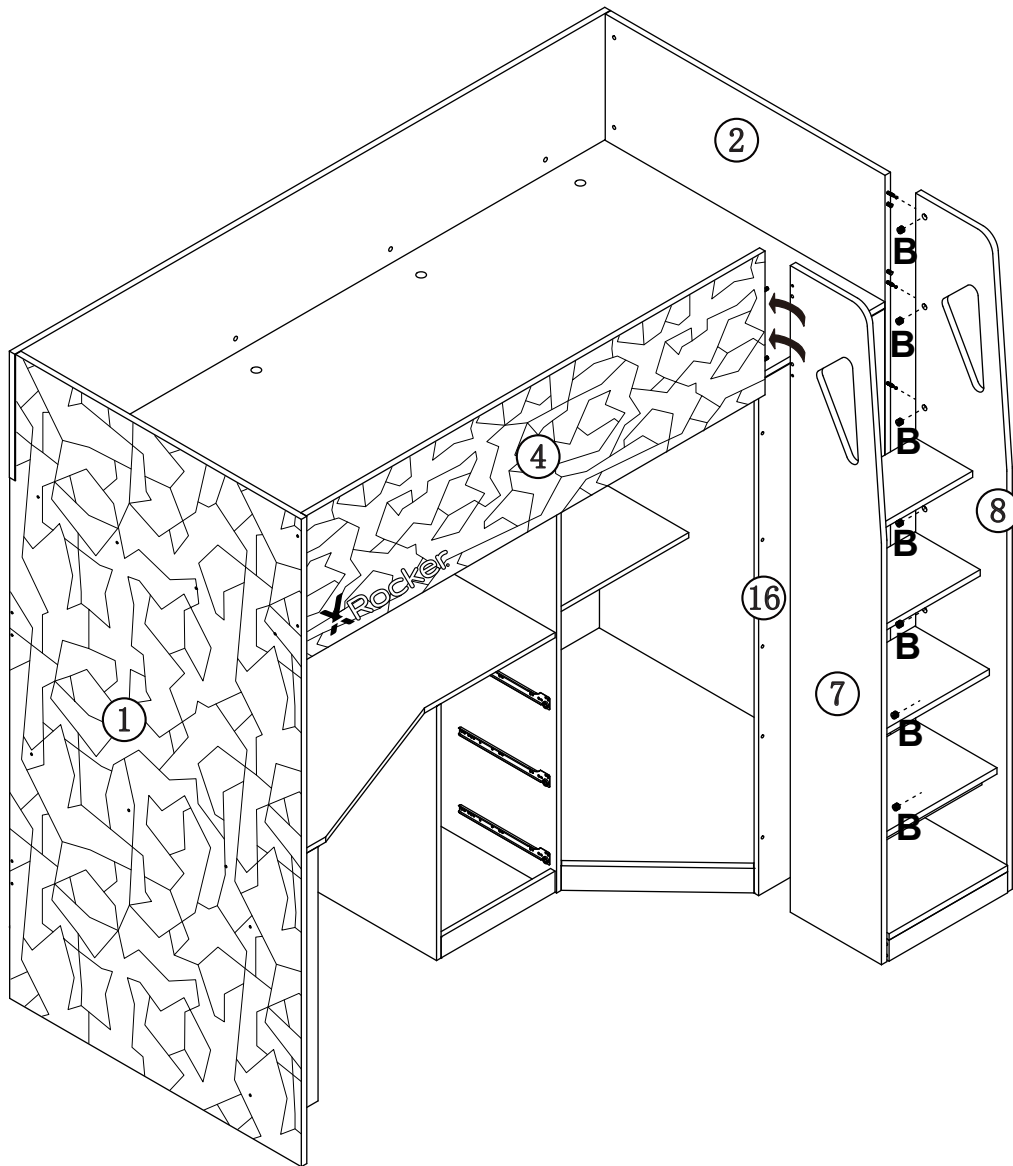
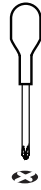


K x2

STEP 33

For this step:

Tools required

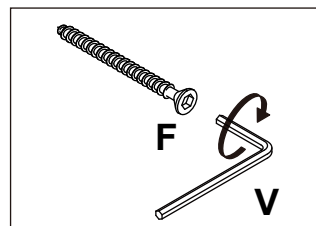
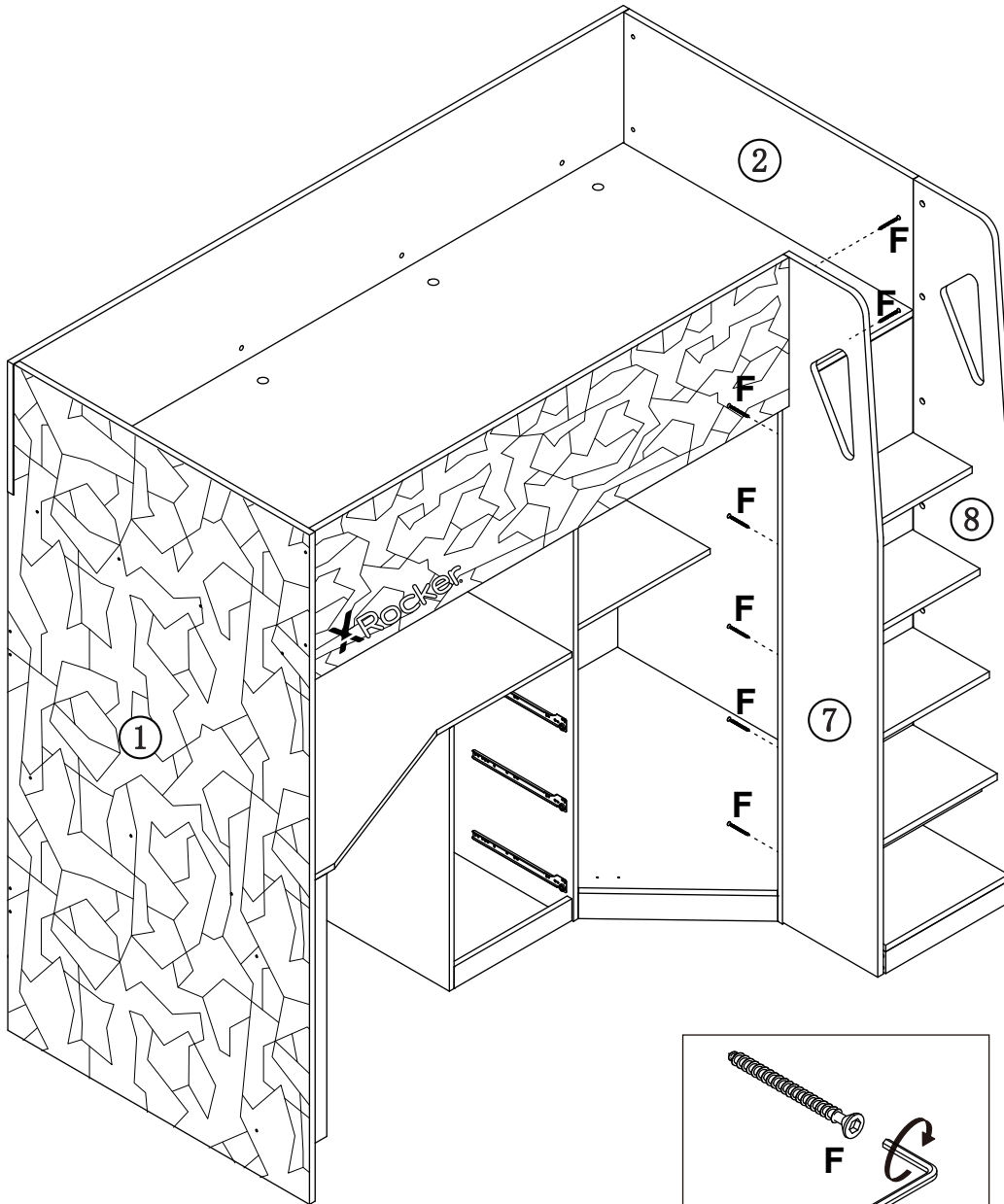


Fittings required



B x7

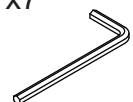
STEP 34



Fittings required

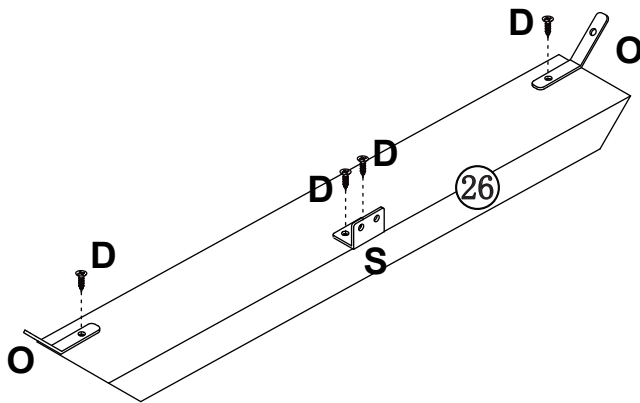


F x7



V x1

STEP 35



For this step:

Tools required



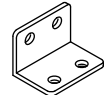
Fittings required



D x4

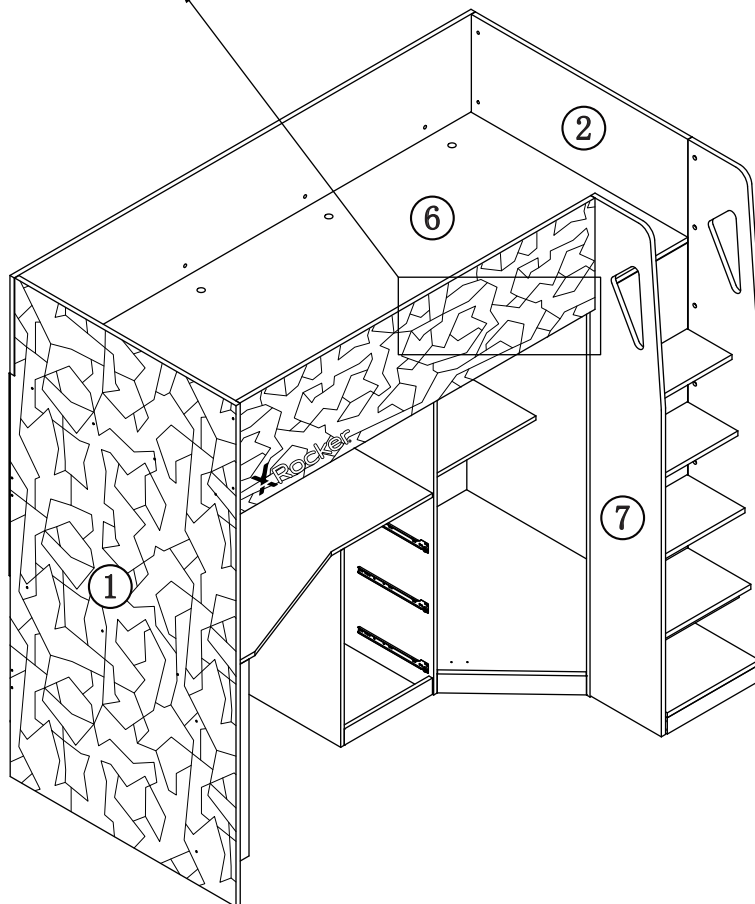
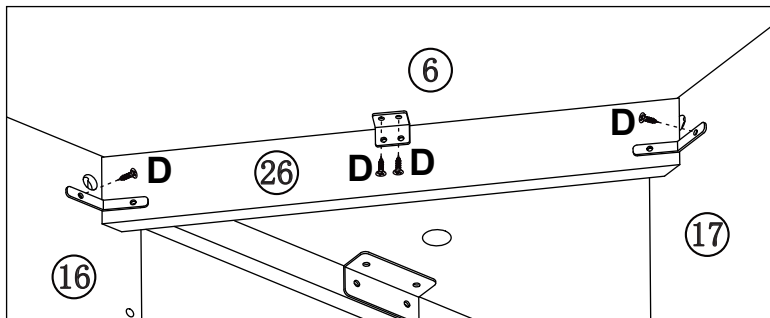


O x2



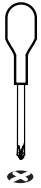
S x1

STEP 36



For this step:

Tools required

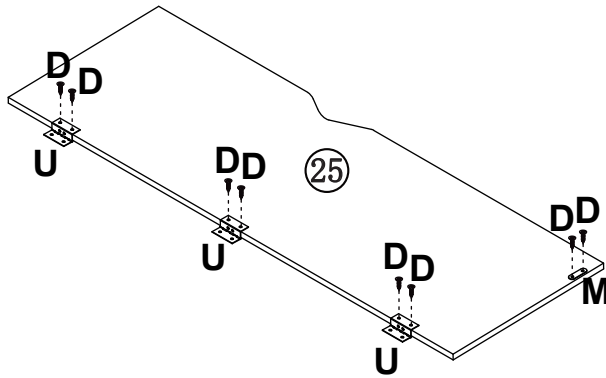


Fittings required



D x4

STEP 37



For this step:

Tools required



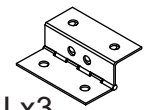
Fittings required



D x8

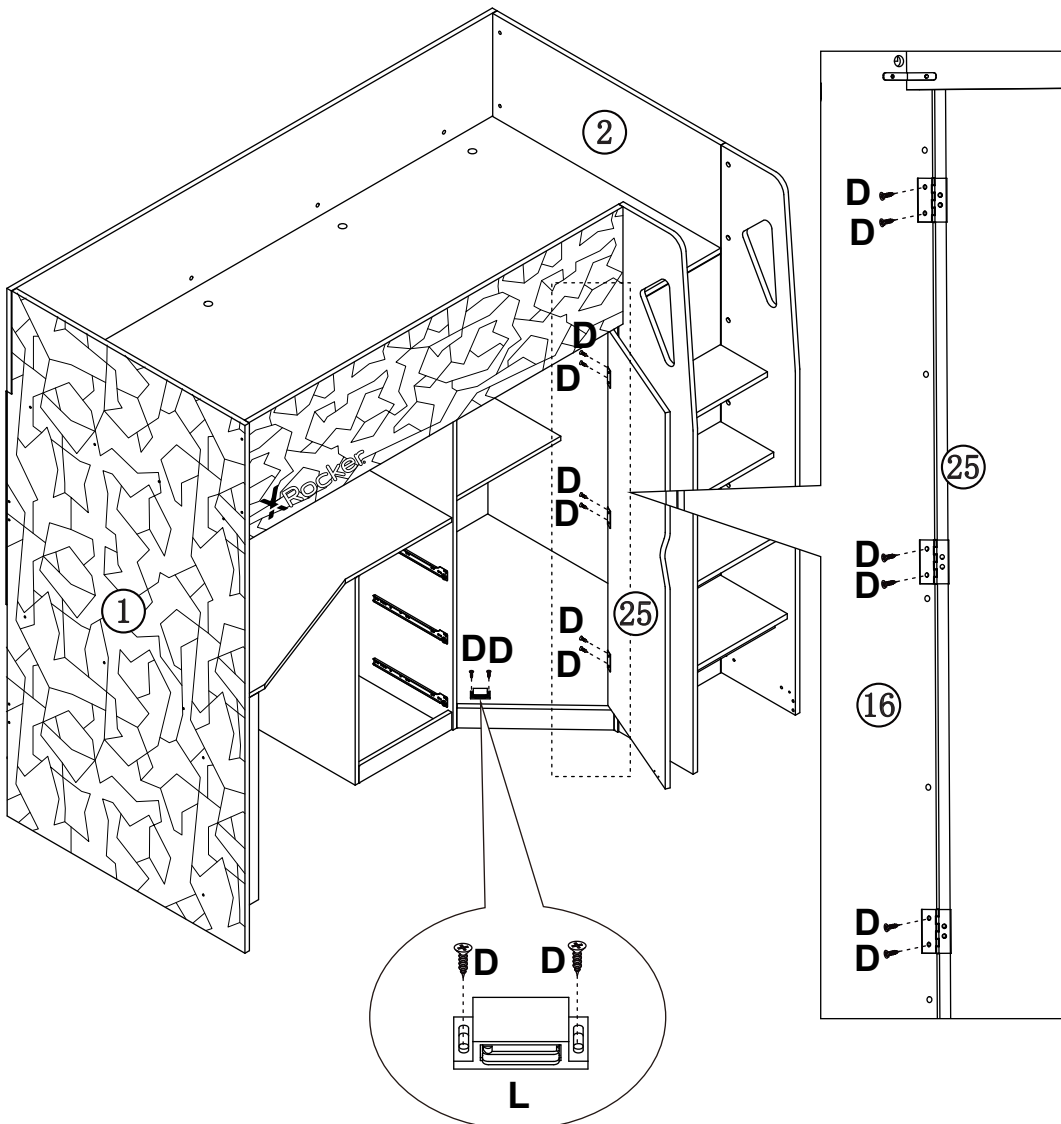


M x1



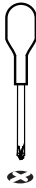
U x3

STEP 38



For this step:

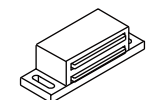
Tools required



Fittings required

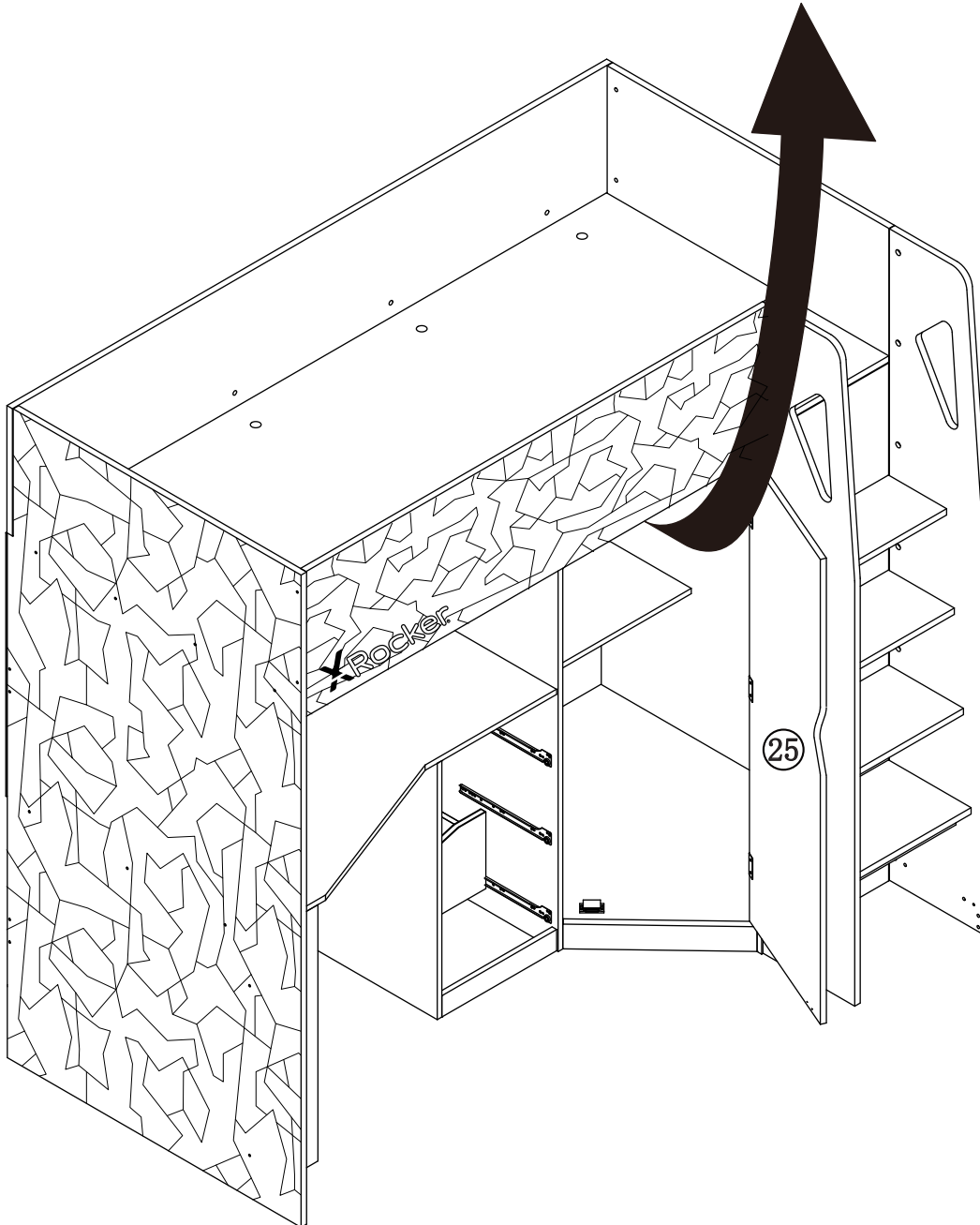
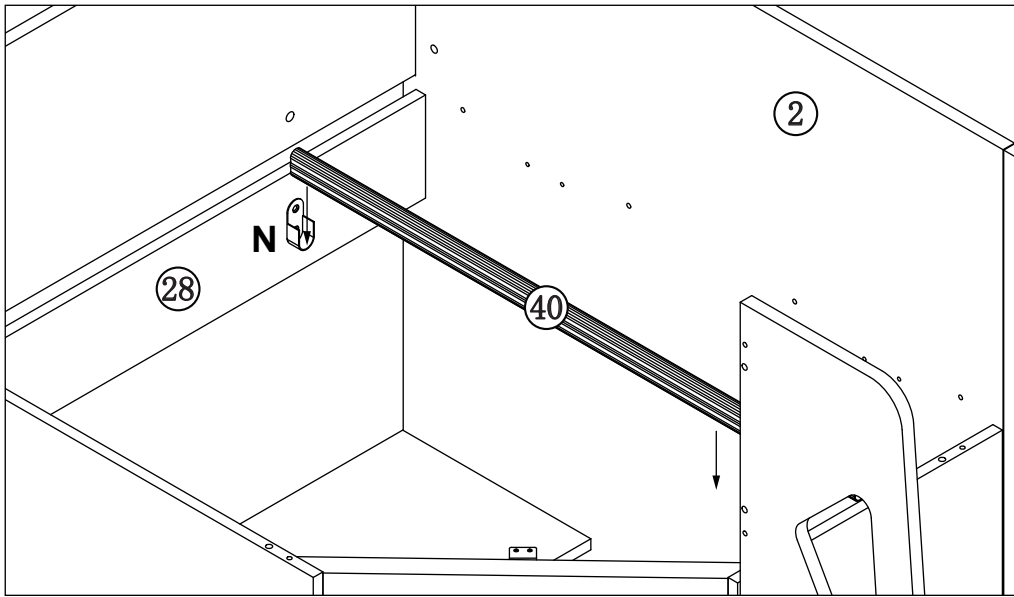


D x8



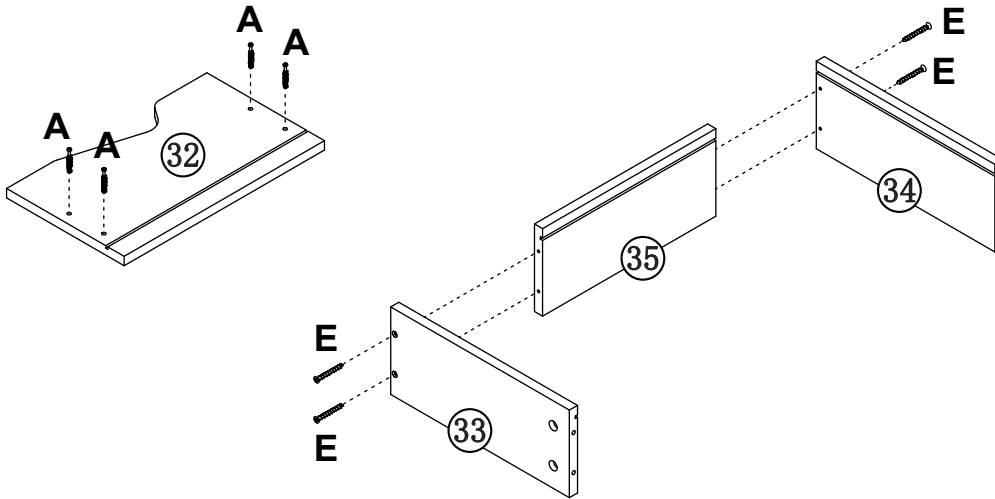
L x1

STEP 39

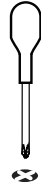


STEP 40

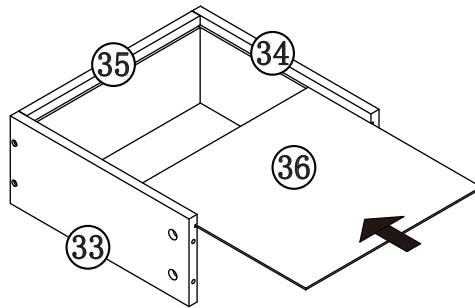
i.



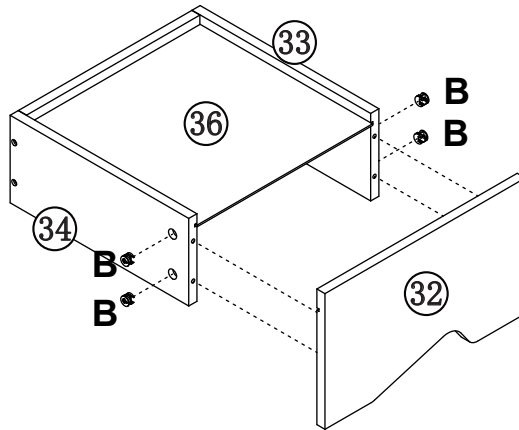
For this step:
Tools required



ii.



iii.



Fittings required



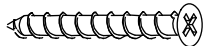
A x12



B x12



D x18



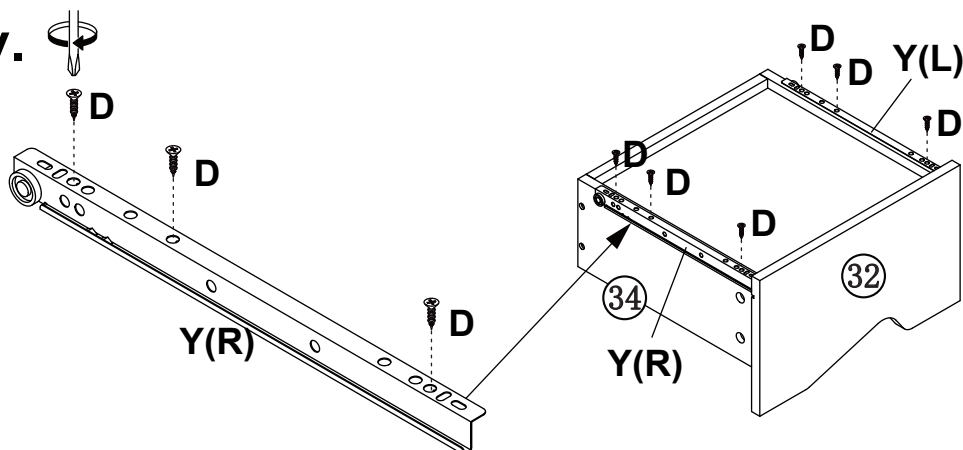
E x12



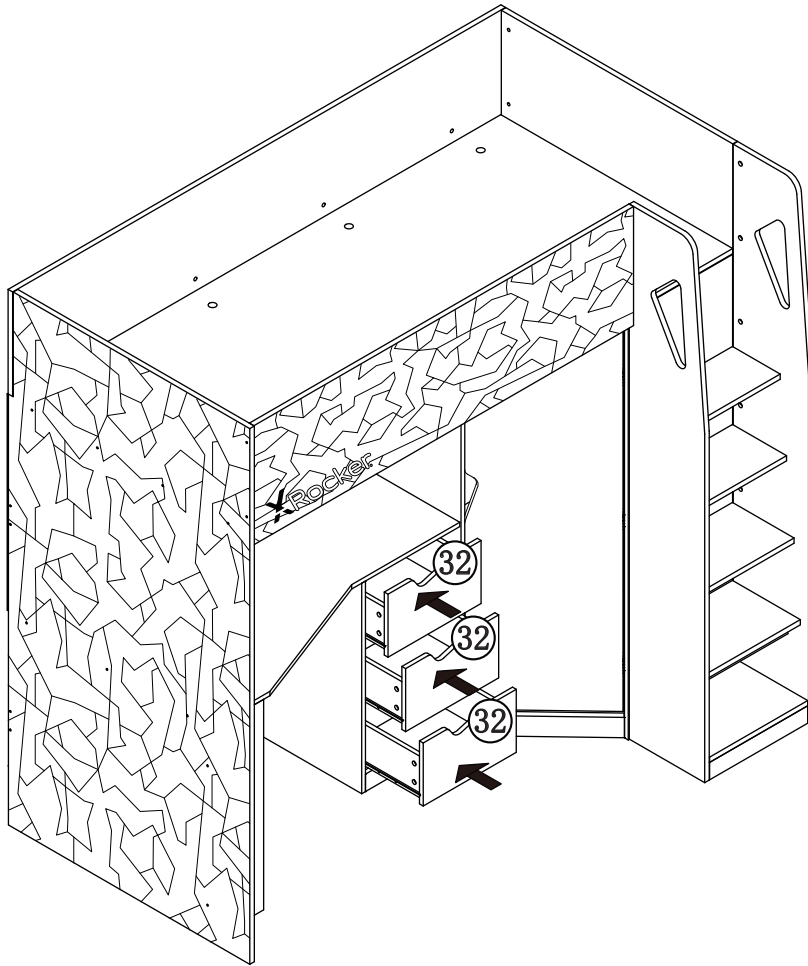
Drawer Base
Runner Sets (L+R)

Y x3

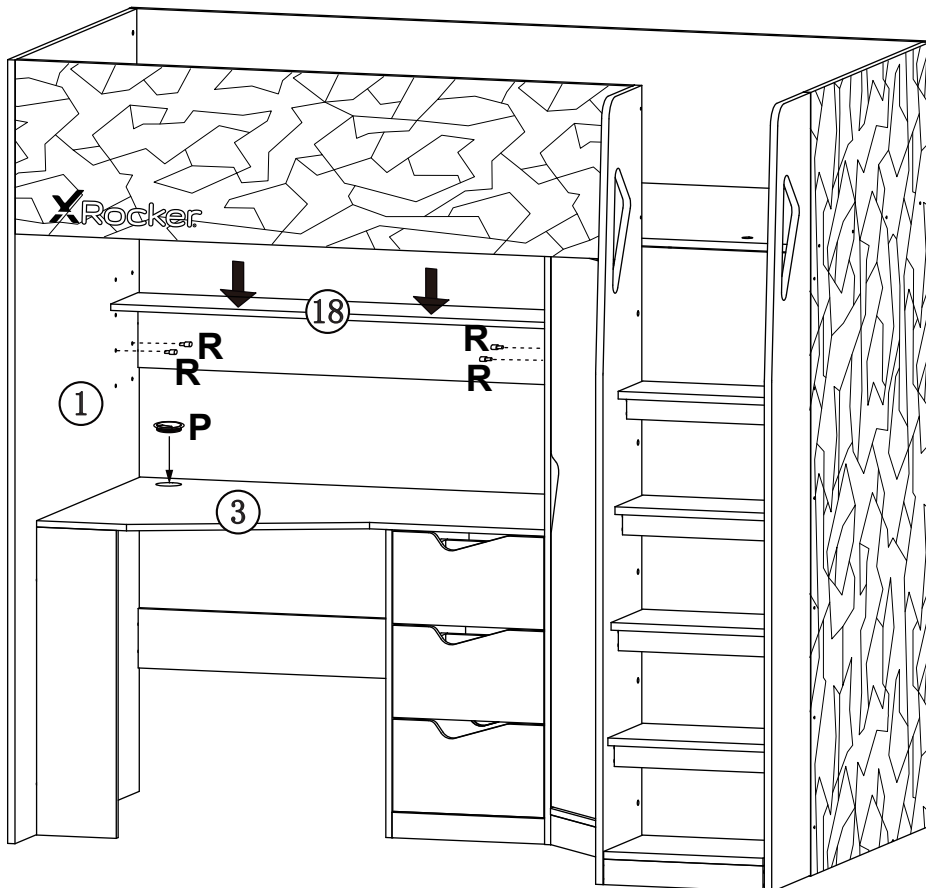
iv.



STEP 41



STEP 42

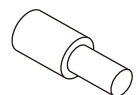


Adjustable shelf height PIN pilot holes for TV / Monitor sizes 24" 27" 32"

Fittings required



P x1

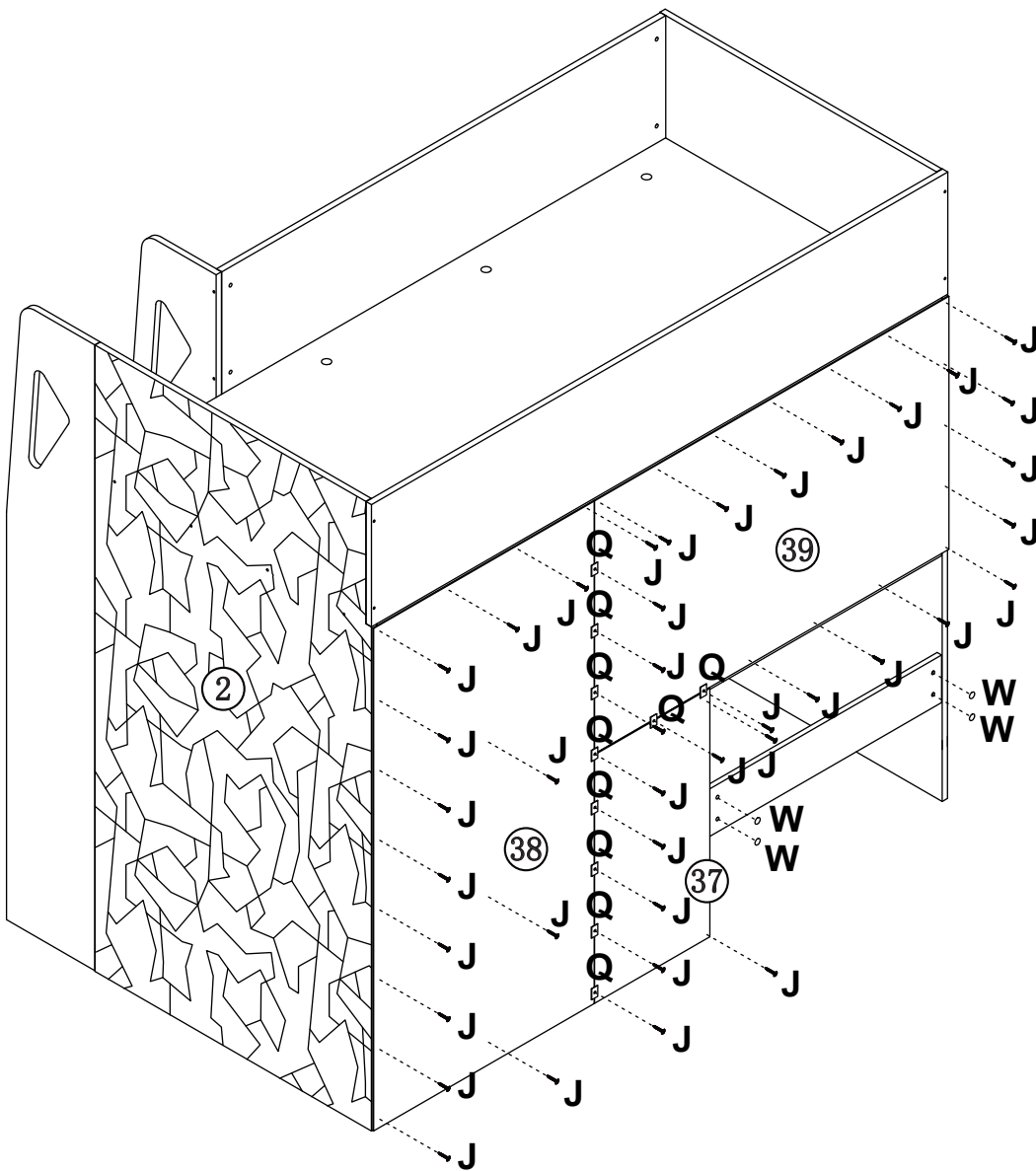
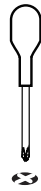


R x4

STEP 43

For this step:

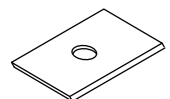
Tools required



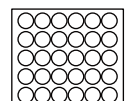
Fittings required



J x45



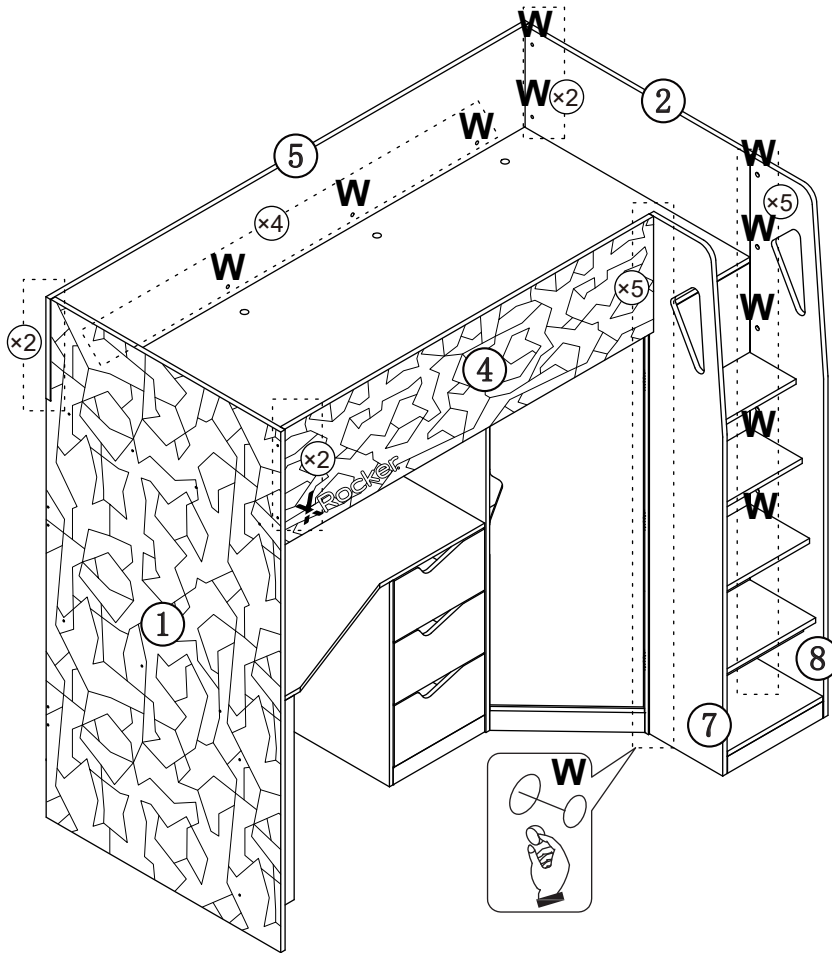
Q x10



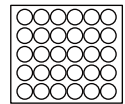
(Optional)

W x1set

STEP 44



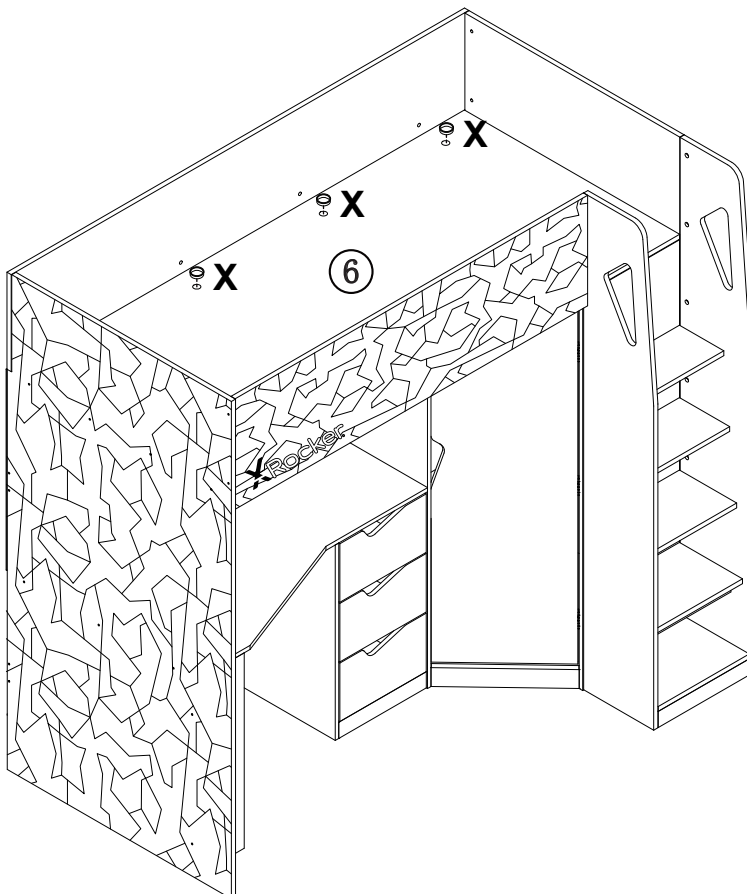
Fittings required



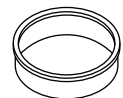
(Optional)

W x1set

STEP 45



Fittings required

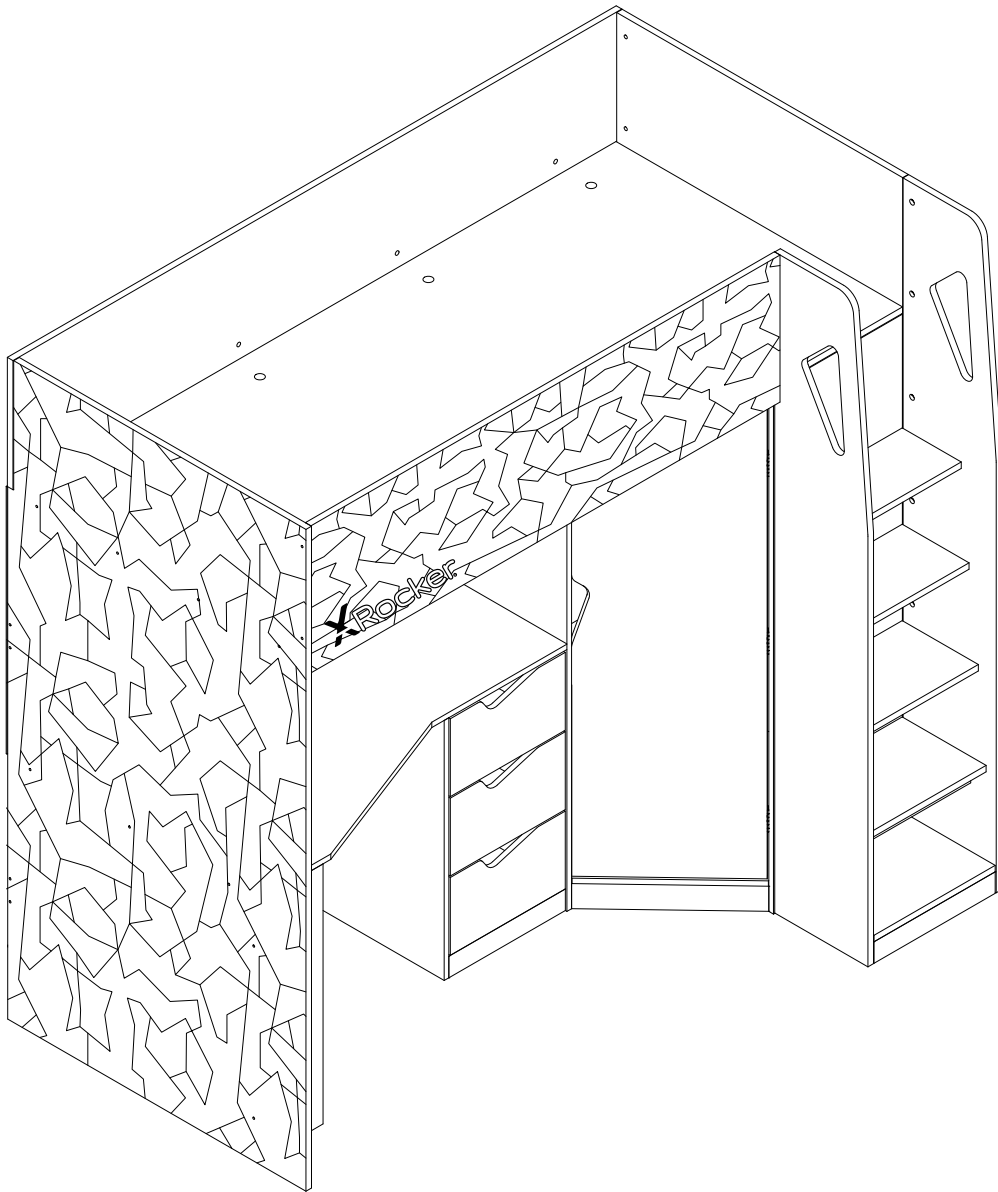


X x8

Assembly Completed

Your **HIDEOUT CAMO GAMING BUNK BED WITH DESK** is now completely assembled.

Periodically check to ensure that the components are in their proper position, free from damage. Also, please ensure the connectors are tight and secure.



Keep instructions for future reference

