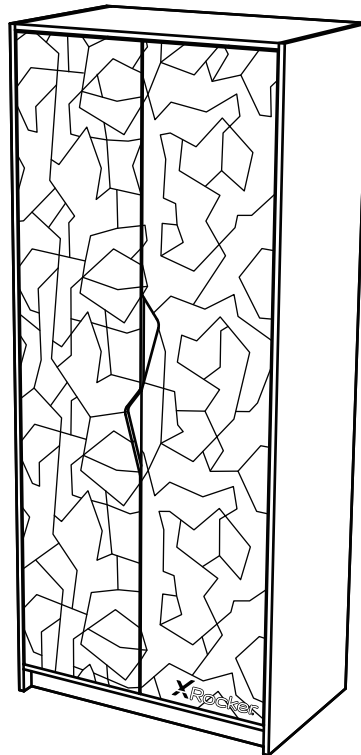


ASSEMBLY INSTRUCTIONS

Thank you for purchasing the **HIDEOUT CAMO TWO DOORS WARDROBE.**

Please read the instructions carefully to ensure safe operation of this product.



**FOR PARTS & TECHNICAL
SUPPORT VISIT:**
www.xrockeruk.com/pages/support

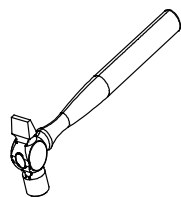
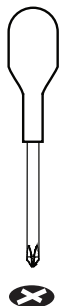
Size: 76 x 46.5 x 180.5cm (WDH)

PLEASE READ this sheet prior to assembly to familiarise yourself with the various stages of construction.

Carefully open the pack supplied and check the contents against the parts and fittings check list. Do not destroy any of the packaging until you are certain that you have all the necessary parts for the assembly.

CAUTION: There are small components used in the construction of this unit. These loose items should be kept away from young children whilst assembling your unit to avoid the danger of choking.

Tools Required



Number of people



1 Hour
Set Up

ASSEMBLY INSTRUCTIONS

IMPORTANT - READ CAREFULLY - RETAIN THESE INSTRUCTIONS FOR FUTURE REFERENCE.

INFORMATION

- This product is designed to hold 25Kg in total. Do not exceed this weight.
- We recommend that this unit is assembled in the room intended for use.
- When you are ready to start, make sure that you have the right tools, plenty of space and a clean, dry area for assembly.
- Unwrap all packaging materials and place each component on top of the carton box or on a clean floor to prevent it from scratching.
- Check the pack and make sure you have all the parts listed.
- Ensure that this product is fully assembled as illustrated before use.
- Check all screws or bolts are tightened and inspect regularly.
- Tools are not included unless specified in the parts list.

WARNINGS


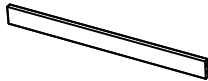
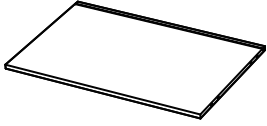

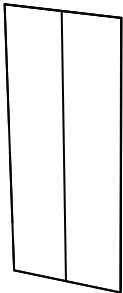
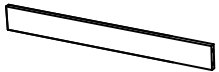




- This product should only be used on a firm and level floor.
- Keep small parts out of reach of children.
- Make sure the legs/base remain in contact with the floor.
- DO NOT use power tools to construct this product.
- DO NOT tighten screws until parts are assembled or as advised in this guide:
- DO NOT over tighten screws or bolts.
- DO NOT use this product if parts are missing, damaged or worn.
- DO NOT climb, sit or stand on the product.
- Product must be filled using of wall straps provided to avoid accidents and possible fatal injuries if the item fall over or tips over during use.
- Always ensure the wall area to be drilled is free of electrical wires, water and gas pipes. The wall fixing supplied are suitable for solid walls. For other types of wall suitable fixings must be obtained separately. If in doubt please consult a qualified tradesperson.

CARE INFORMATION

- Never use scourers, abrasives or chemical cleaners.
- To clean, wipe with a damp sponge and warm soapy water. Do not use solvent based cleaners or detergents as they can bleach or damage the product.

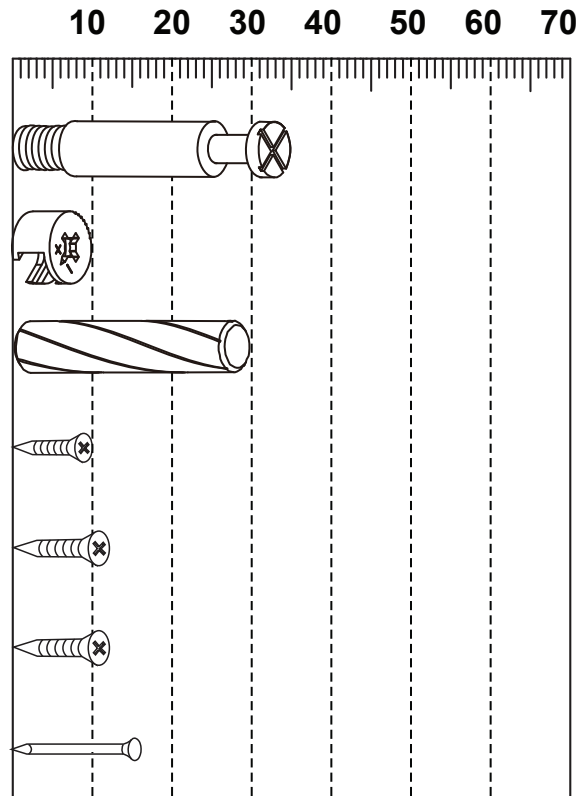
PARTS AND FITTINGS CHECKLIST

Parts List

<p>1.</p> 	<p>2.</p> 	<p>3.</p> 
<p>Description: Left Side Panel Qty: 1 Catron No: 1/1</p>	<p>Description: Bottom Support Panel Qty: 1 Catron No: 1/1</p>	<p>Description: Bottom Panel Qty: 1 Catron No: 1/1</p>
<p>4.</p> 	<p>5.</p> 	<p>6.</p> 
<p>Description: Middle Shelf Panel Qty: 1 Catron No: 1/1</p>	<p>Description: Back Panel Qty: 1 Catron No: 1/1</p>	<p>Description: Back Support Panel Qty: 1 Catron No: 1/1</p>
<p>7.</p> 	<p>8.</p> 	<p>9.</p> 
<p>Description: Top Panel Qty: 1 Catron No: 1/1</p>	<p>Description: Right Side Panel Qty: 1 Catron No: 1/1</p>	<p>Description: Left Door Panel Qty: 1 Catron No: 1/1</p>
<p>10.</p> 		
<p>Description: Right Door Panel Qty: 1 Catron No: 1/1</p>		

Fittings (to scale)

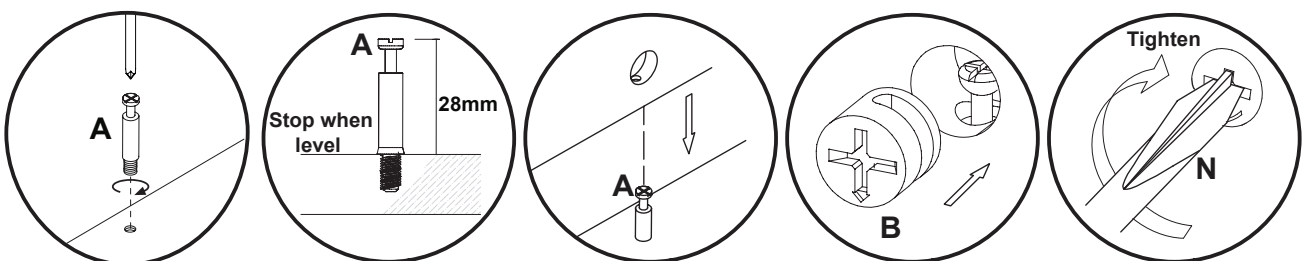
Code	Item	Quantity
A	Cam Bolt (Ø6x35mm)	20
B	Cam Lock (Ø12x10mm)	20
C	Wood Dowel (Ø8x30mm)	12
D	Screw (Ø3x10mm)	6
E	Screw (Ø3.5x12mm)	4
F	Screw (Ø4x12mm)	36
G	Nail (Ø1.2x16mm)	4



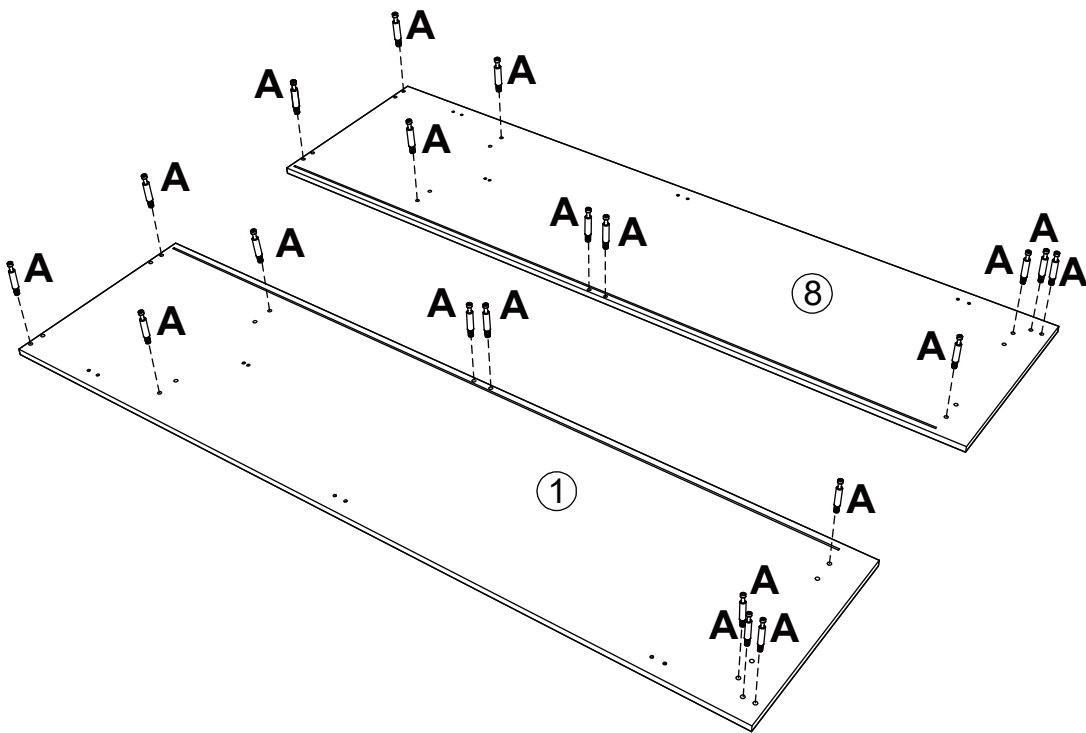
(Not to scale)

H	Hanging Rail	1	
I	Wall Fixings Hardware Set	2	
J	Plastic Bracket	6	
K	Door Hinges	6	
L	Hanging Rail Support	2	
M	Foot Nail	4	
N	Screwdriver (Not Provided)	1	

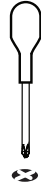
General Hints & Tips



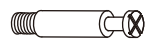
STEP 1



For this step:
Tools required

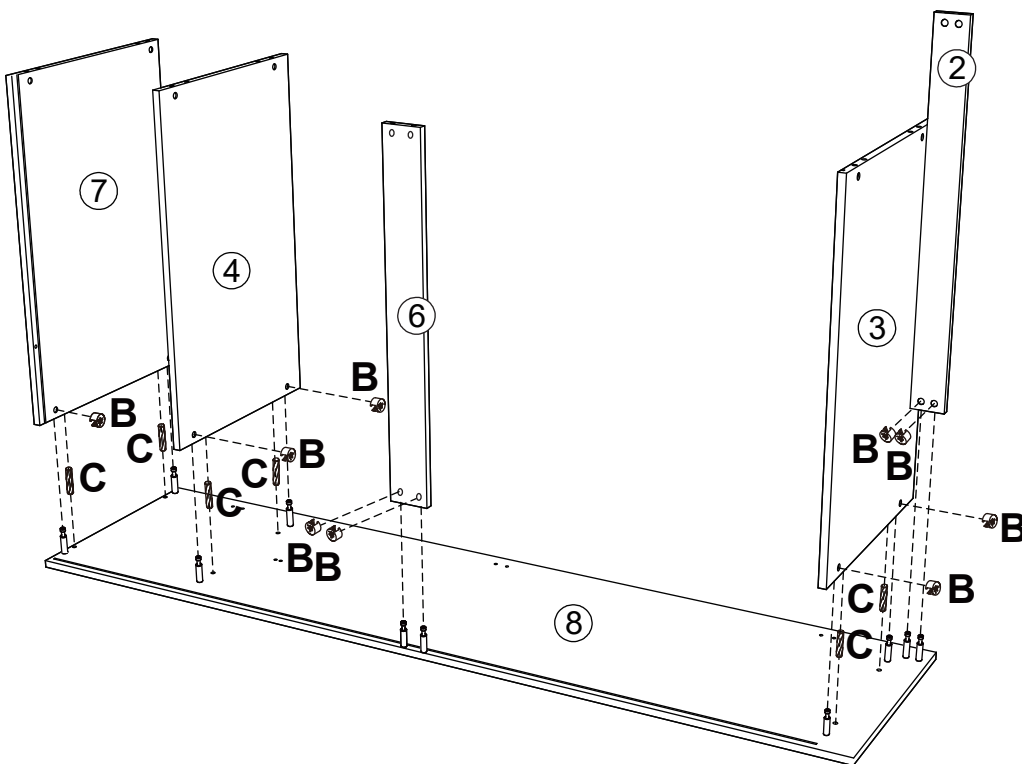


Fittings required



A x 20

STEP 2



For this step:
Tools required



Fittings required

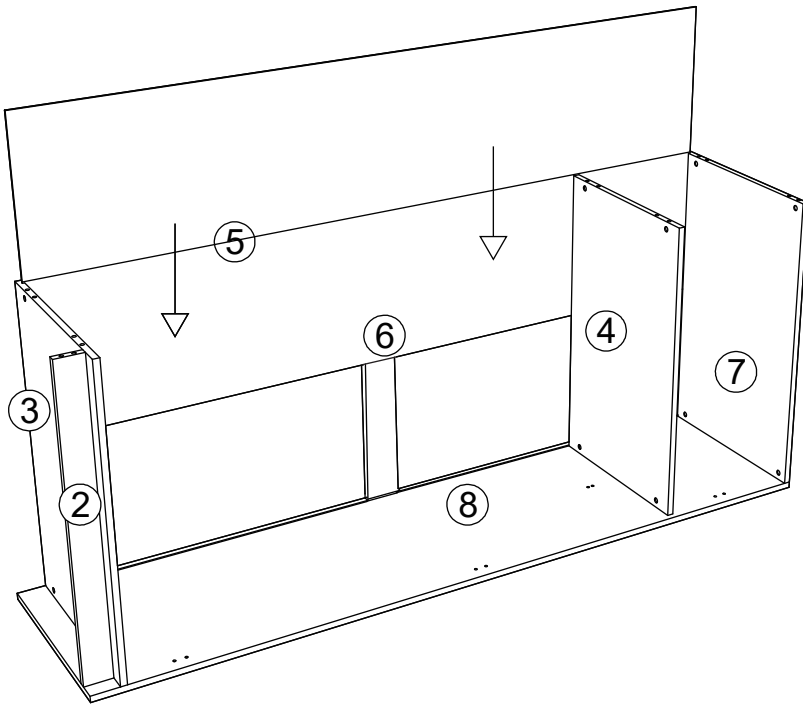


B x 10



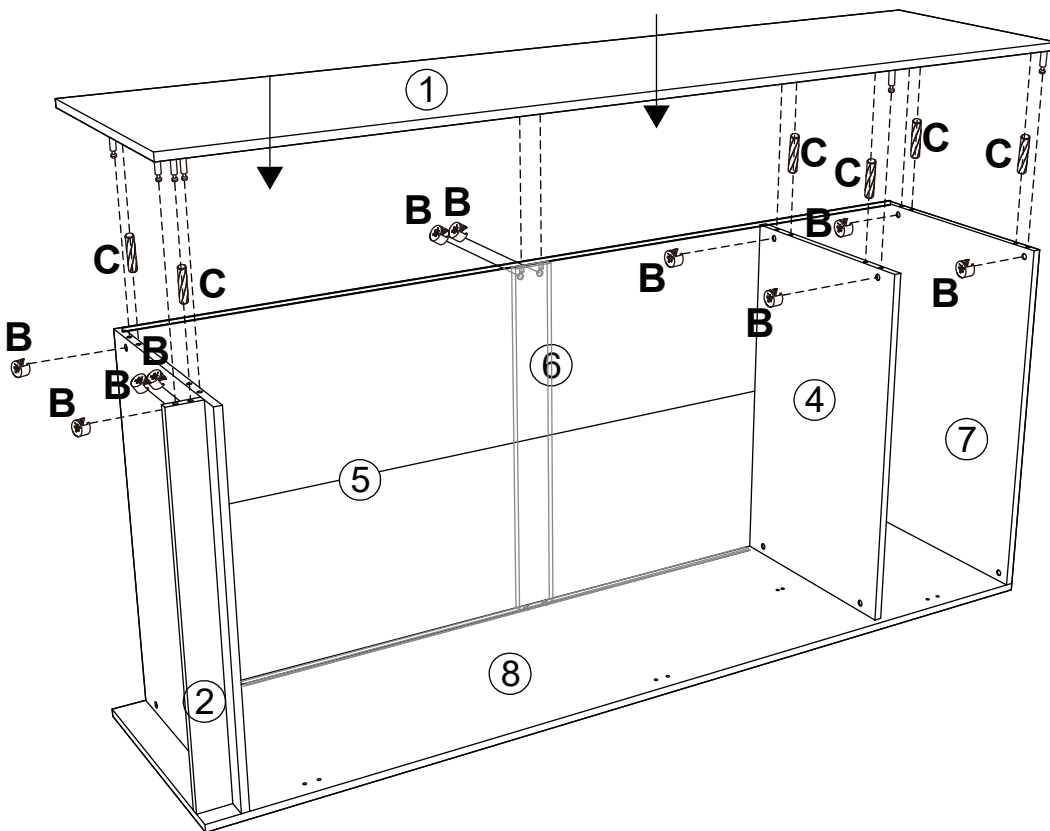
C x 6

STEP 3

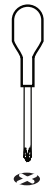


For this step:
Tools required

STEP 4



For this step:
Tools required



Fittings required

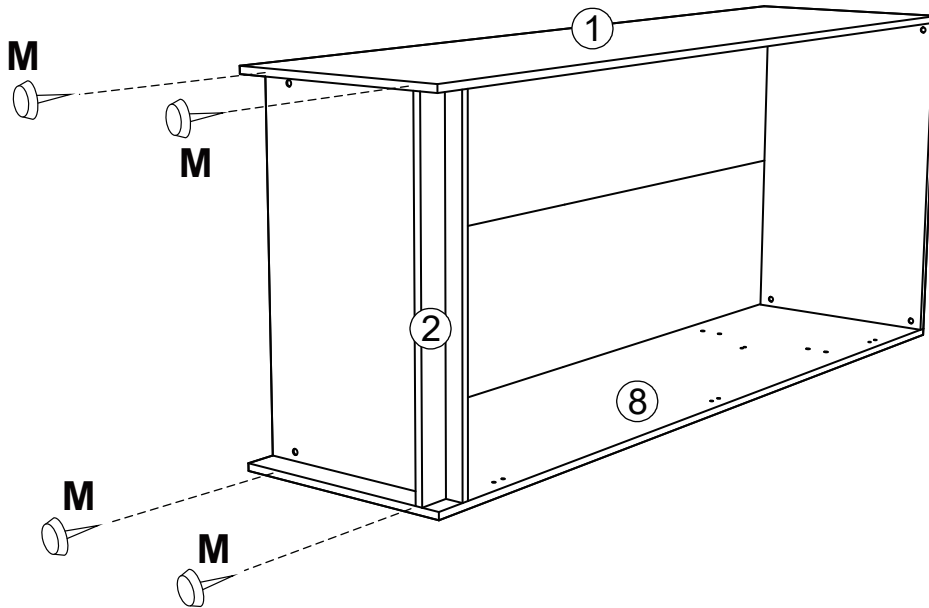


B x10

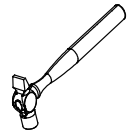


C x6

STEP 5



For this step:
Tools required

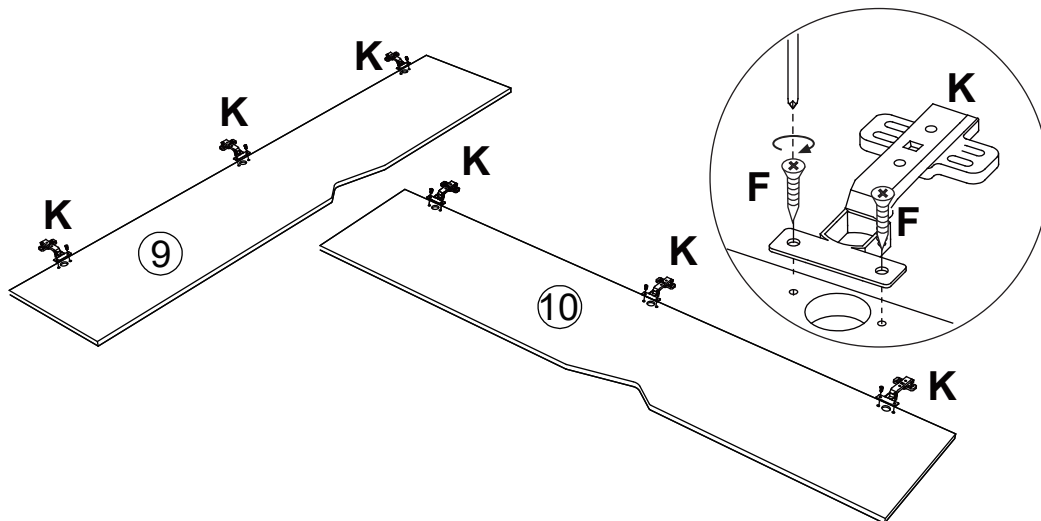


Fittings required



M x4

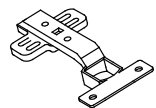
STEP 6



For this step:
Tools required



Fittings required



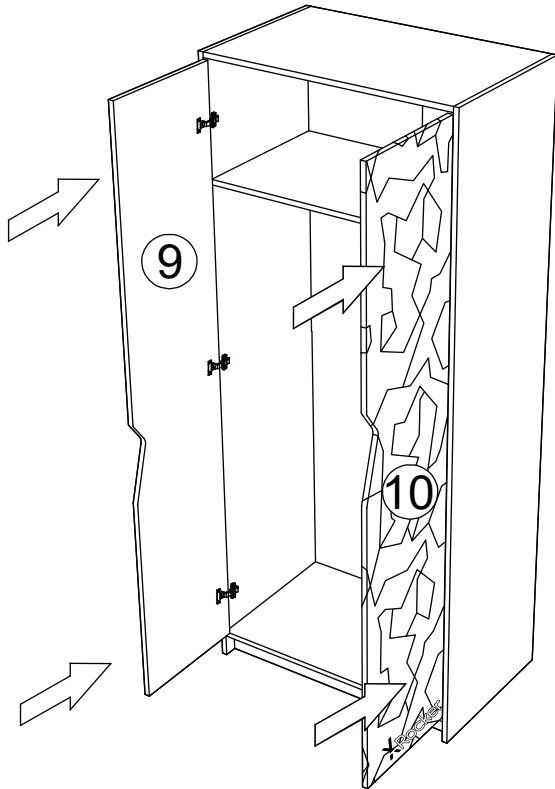
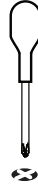
K x 6



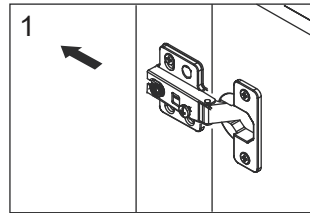
F x12

STEP 7

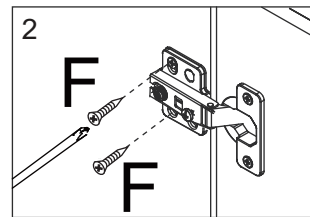
For this step:
Tools required



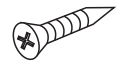
Fit Doors in Position



Fit x2 screws (F) in centre of long holes

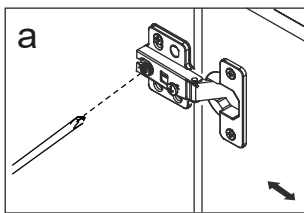


Fittings required

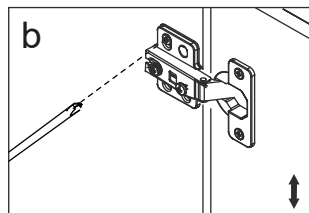


F x12

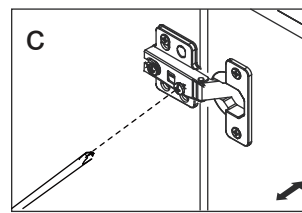
MAKE SURE WARDROBE IS LEVEL
IF DOORS NEED ADJUSTING, CAREFULLY FOLLOW THESE STEPS



In or Out

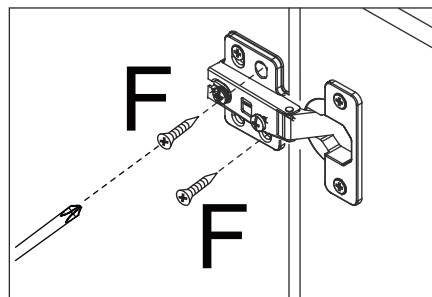


Up or Down



Left or right

Once both doors are level, (adjusting if necessary as per the steps a, b & c), fix x2 more screws (F) in the round holes, to lock each hinge plate (J) in it's final position.

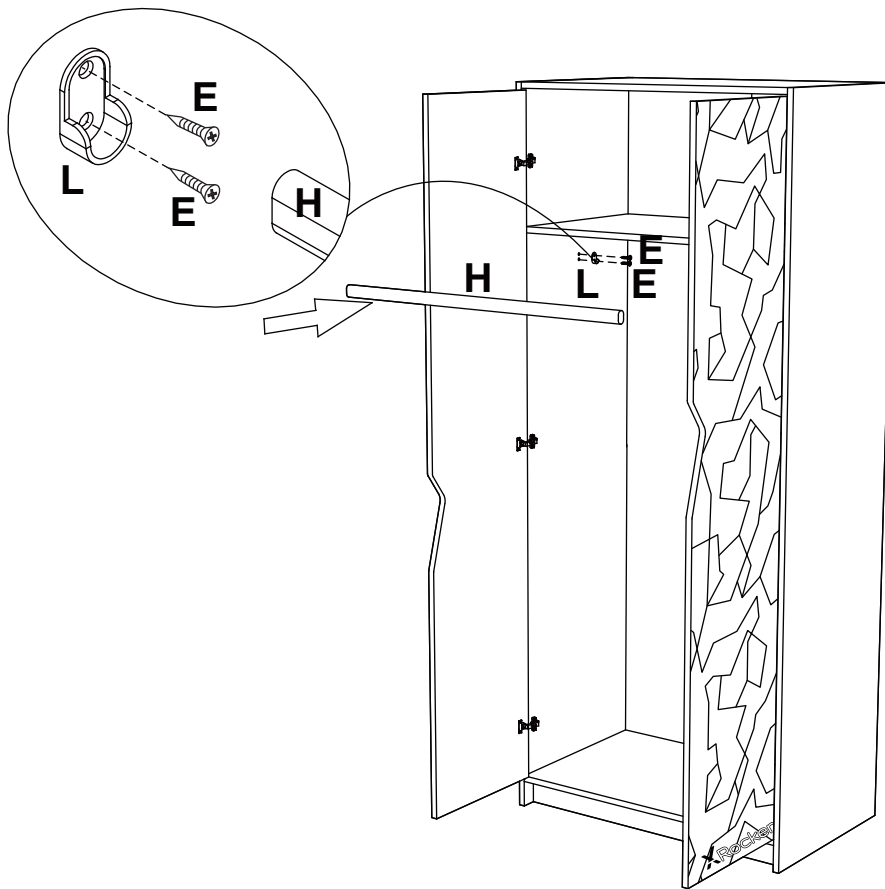


Fittings required

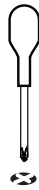


F x12

STEP 8



For this step:
Tools required



Fittings required



E x4

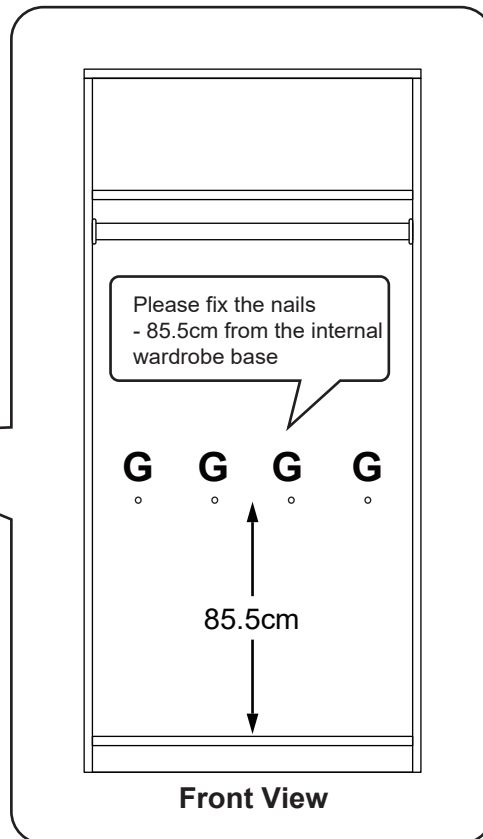
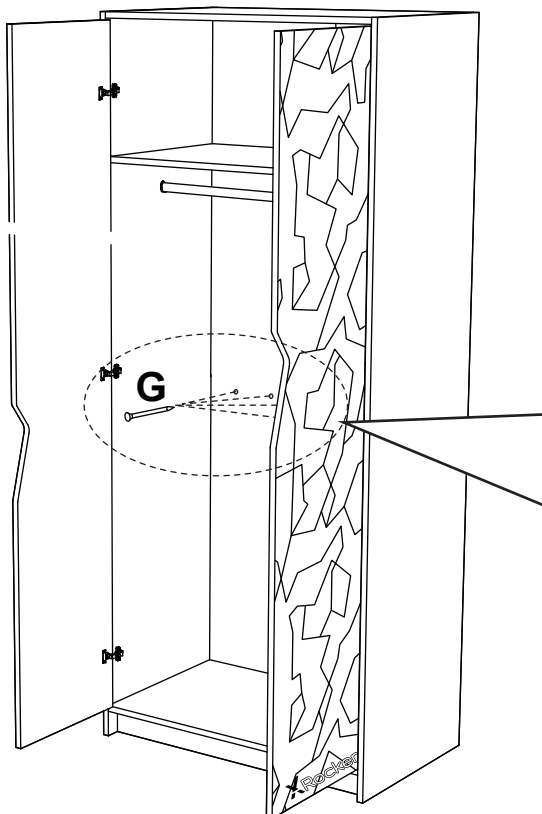


H x1

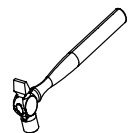


L x2

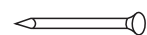
STEP 9



For this step:
Tools required

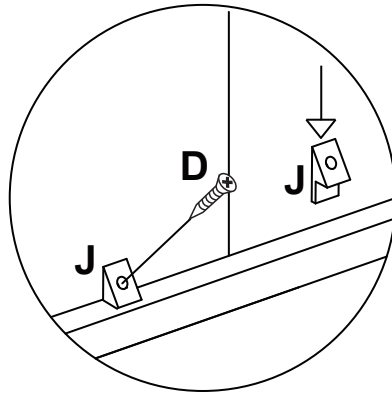
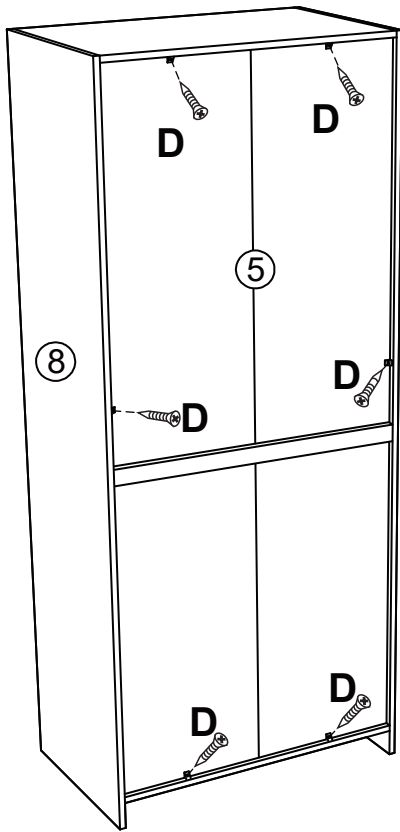


Fittings required

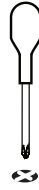


G x4

STEP 10



For this step:
Tools required



Fittings required



D x6



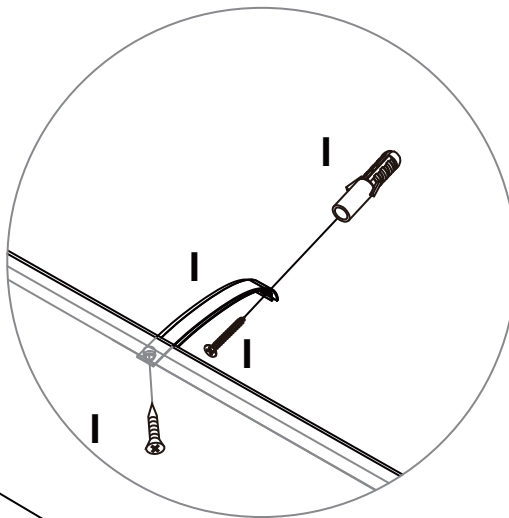
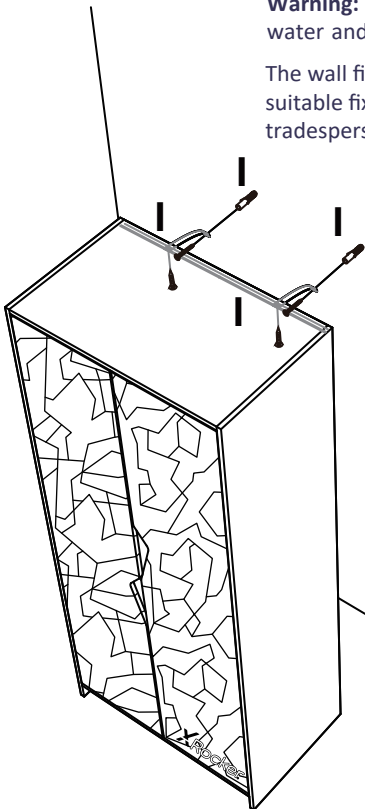
J x6

STEP 11

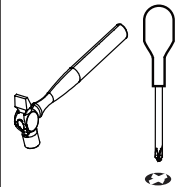
Note: We recommend the use of the wall strap provided (H) to avoid accidents and possible fatal injuries if the item falls over or tips over during use.

Warning: Always ensure the wall area to be drilled is free of electrical wires, water and gas pipes.

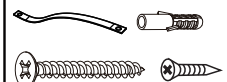
The wall fixing supplied are suitable for solid walls. For other types of wall suitable fixings must be obtained separately. If in doubt please consult a qualified tradesperson.



For this step:
Tools required



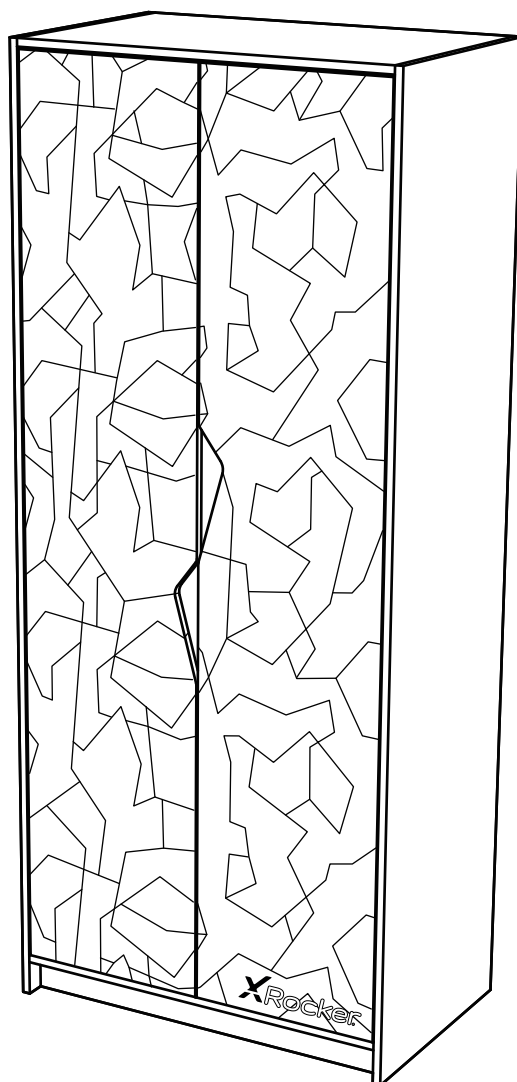
Fittings required



I x2

Assembly Completed

Your **HIDEOUT CAMO TWO DOORS WARDROBE** is now completely assembled. Periodically check to ensure that the components are in their proper position, free from damage. Also, please ensure the connectors are tight and secure.



Keep instructions for future reference

