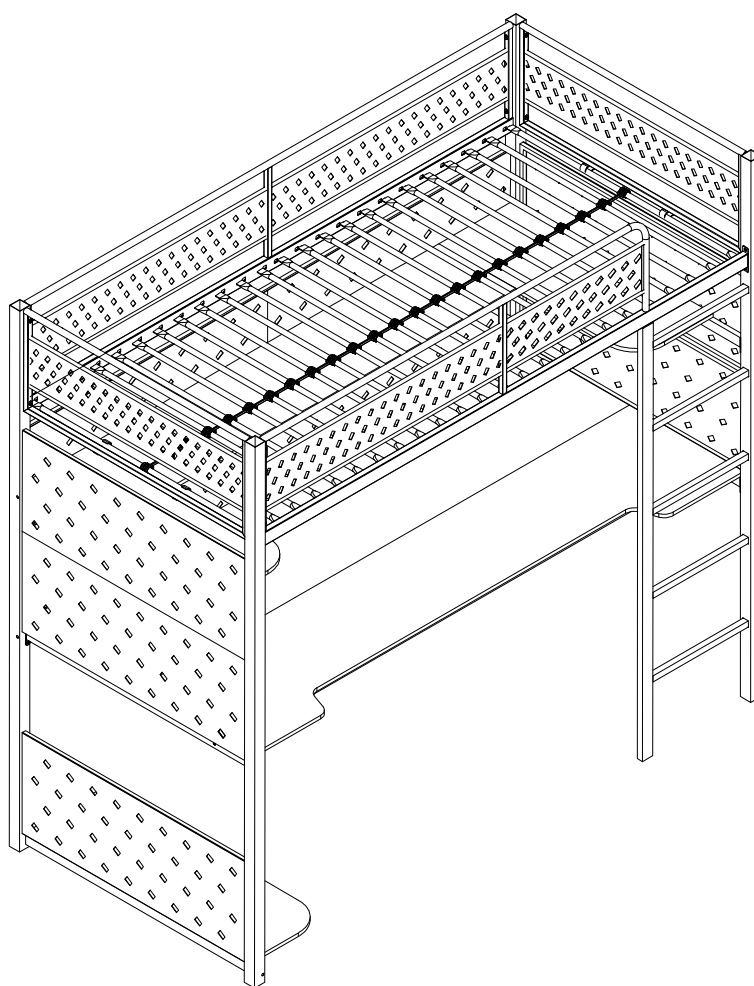


# X ROCKER GAMING BUNK BED

IMPORTANT – READ CAREFULLY – RETAIN FOR FUTURE REFERENCE

**X**Rocker®



## Dimensions

Width - 197.2cm

Depth - 95.7cm

Height - 183cm

**Need Help ? Contact X Rocker at :**  
**[www.xrockeruk.com/pages/support](http://www.xrockeruk.com/pages/support)**

**IMPORTANT: You must Keep your original retail receipt as proof of purchase.**



## Safety and Care Advice

**Important - Please read these instructions fully before starting assembly**

- Check you have all the components and tools listed on the following pages.
- Remove all fittings from the plastic bags and separate them into their groups.
- Keep children and animals away from the work area. Small parts may cause a choking hazard.
- Parts of the assembly will be easier with 2 people.
- Make sure you have enough space to layout the parts before starting.
- Assemble the item as close to its final position (in the same room) as possible.
- Dispose of all packaging carefully and responsibly.
- Place the product on flat and steady surface during use.
- Assemble on a soft level surface to avoid damaging the unit or your floor.
- Keep these instructions for further use.
- To ensure an easier assembly we strongly advise that all fittings are only finger tightened during initial assembly. Only upon completion of the assembly should all fixing points be fully tightened.

## Care and maintenance

- Only clean using a damp cloth and mild detergent, do not use bleach or abrasive cleaners.
- From time to time check that there are no loose screws on this unit.
- This product should not be discarded with household waste. Take to your local authority waste disposal center.

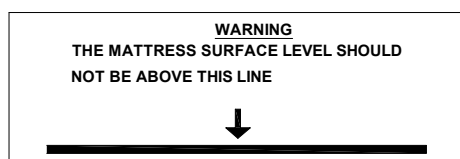
## Handy Hints

- Assemble all parts and bolts loosely during assembly, only once the product is complete should you fully tighten the bolts
- Regularly check and ensure that all bolts and fittings are tightened properly.



## Safety and Care Advice

**Important - Please read these instructions fully before starting assembly**

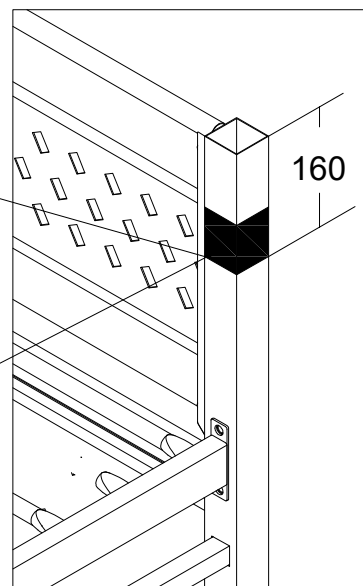


Important: Please note the maximum mattress height is indicated on the vertical bar on the left hand side of the opening at the top of the ladder.

This is legal requirement and it is vital that the mattress do not exceed this mark.

**Note:** The maximum thickness of the mattress is 160 mm.

This bunk bed conforms to BS EN 747-1 & -2: 2012 +A1:2015



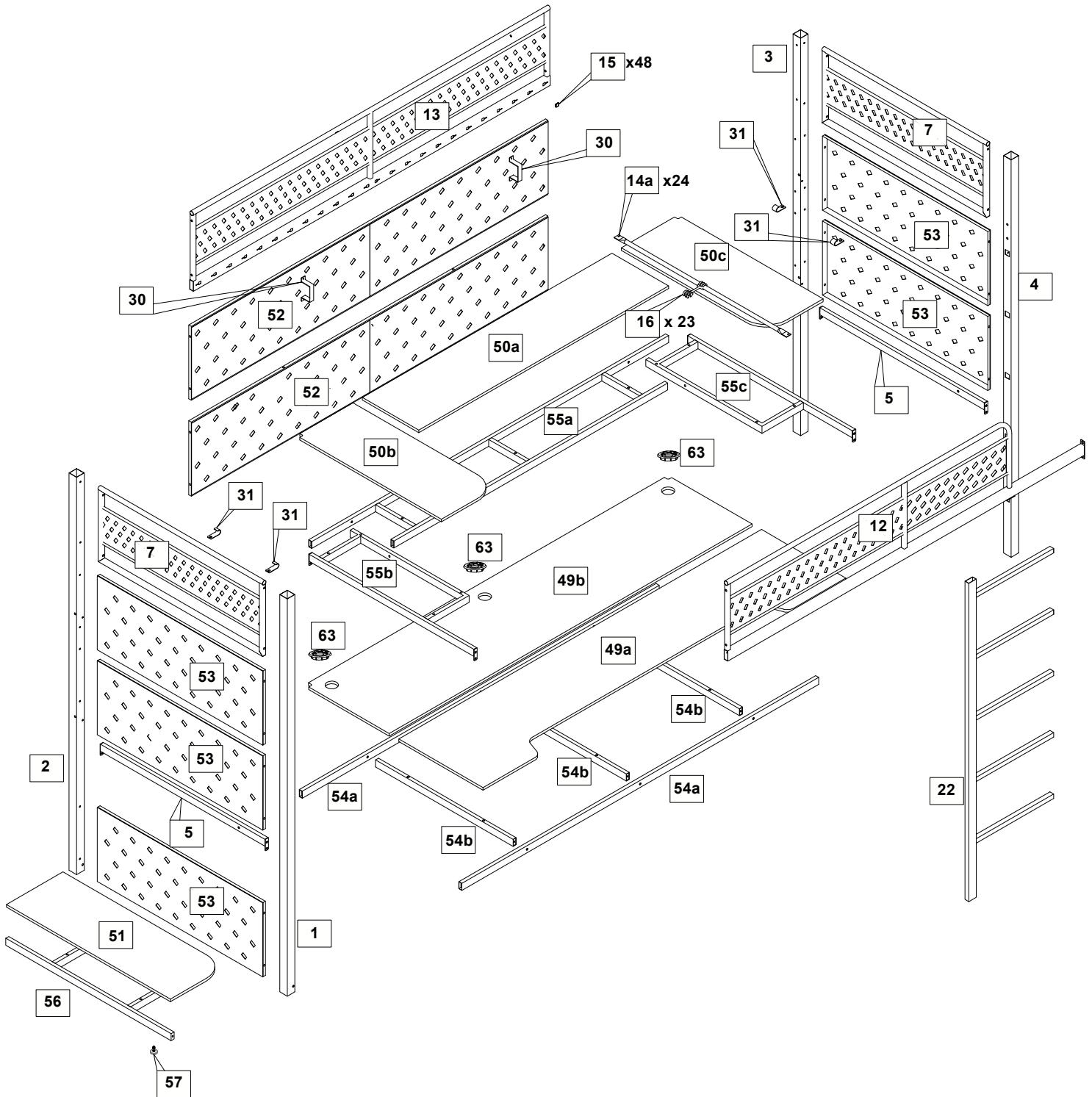
**DO NOT REMOVE THE LABEL FROM THE BED**

- a) **WARNING** "High beds and the upper bed of bunk beds are not suitable for children under six years due to the risk of injury from falls";
- b) **WARNING** "Bunk beds and high beds can present a serious risk of injury from strangulation if not used correctly. Never attach or hang items to any part of the bunk bed that are not designed to be used with the bed, for example, but not limited to ropes, strings, cords, hooks, belts and bags"
- c) **WARNING** "Children can become trapped between the bed and the wall, a roof pitch, the ceiling, adjoining pieces of furniture (e.g. cupboards) and the like. To avoid risk of serious injury the distance between the top safety barrier and the adjoining structure shall not exceed 75 mm or shall be more than 230 mm";
- d) **WARNING** Do not use the bunk bed/high bed if any structural part is broken or missing;
- e) Always follow the manufacturer's instructions;
- f) The recommended size of the mattress to be used with the bed is 1900mm x 900mm, Maximum mattress thickness:160mm;
- g) Bed must be aired to maintain a low humidity and to stop moisture in its surroundings.
- h) This complies with the requirements of the European Safety Standard BS EN 747-1 & -2: 2012 +A1:2015.
- i) Do not allow more than 1 person on the upper bunk at one time.
- j) This product is not suitable for children under 6 years.

# Components - Panels

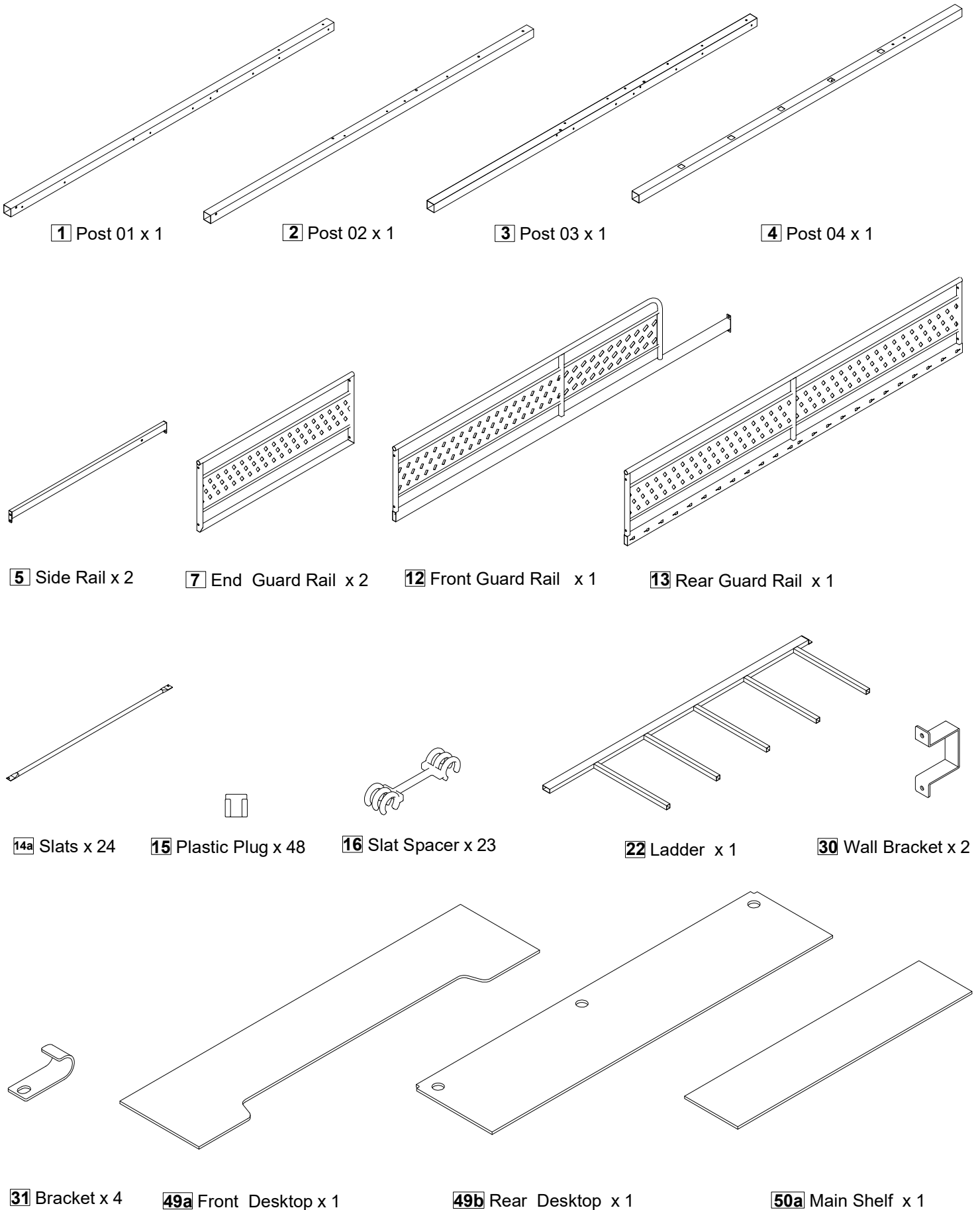
Please check you have all the panels listed below

## PARTS



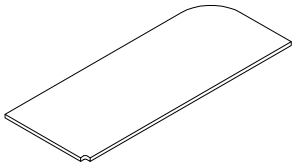
# Components - Panels

Please check you have all the panels listed below

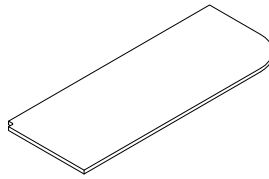


# Components - Panels

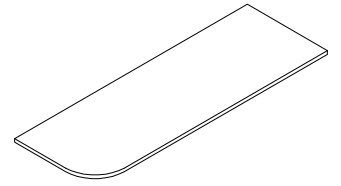
Please check you have all the panels listed below



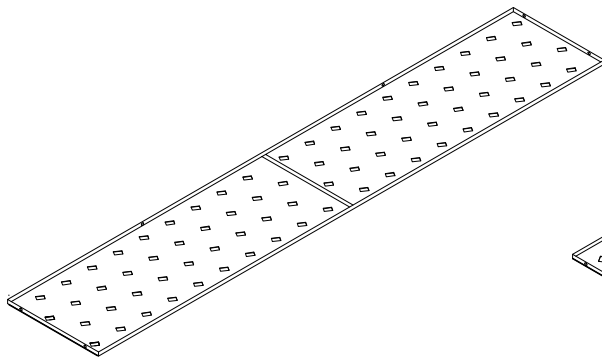
**50b** Left Shelf x 1



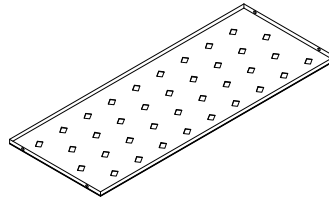
**50c** Right Shelf x 1



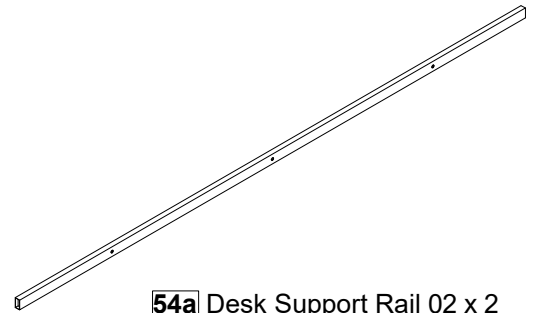
**51** Bottom Shelf x 1



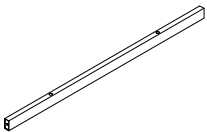
**52** Rear Mesh Panel x 2



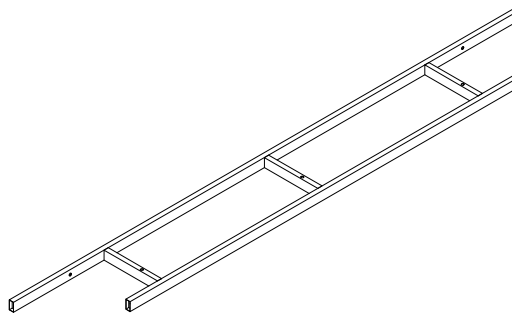
**53** Side Mesh Panel x 5



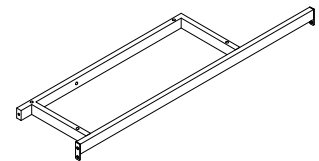
**54a** Desk Support Rail 02 x 2



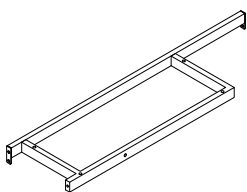
**54b** Desk Support Rail 01 x 3



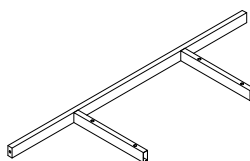
**55a** Main Shelf Support x 1



**55b** Left Shelf Support Frame x 1



**55c** Right Shelf Support Frame x 1



**56** Lower Shelf Support x 1



**57** Pad x 2



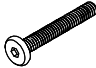
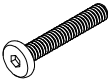
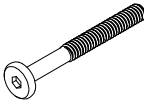





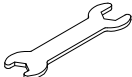


**63** Cable Cap x 3

# Components - Fittings

Please check you have all the panels listed below

**Note:** The quantities below are the correct amount to complete the assembly. In some cases more fittings may be supplied as required.

<p><b>N</b></p>  <p>17mm Bolt M6 x 43</p>	<p><b>B</b></p>  <p>25mm Bolt M6 x 7</p>	<p><b>C</b></p>  <p>30mm Bolt M6 x14</p>
<p><b>D</b></p>  <p>38mm Bolt M6x33</p>	<p><b>E</b></p>  <p>60mm Bolt M6 x 6</p>	<p><b>H</b></p>  <p>M6 x 2</p>
<p><b>I</b></p>  <p>M6 Spring washer x 8</p>	<p><b>J</b></p>  <p>M6 Metal washer x 8</p>	<p><b>K</b></p>  <p>M6 Plastic washer x 8</p>
<p><b>L</b></p>  <p>Allen Key x 1</p>	<p><b>M</b></p>  <p>Wrench x 1</p>	

## Tools required



Ruler/tape  
measure

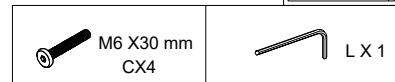
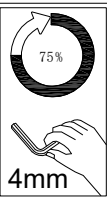
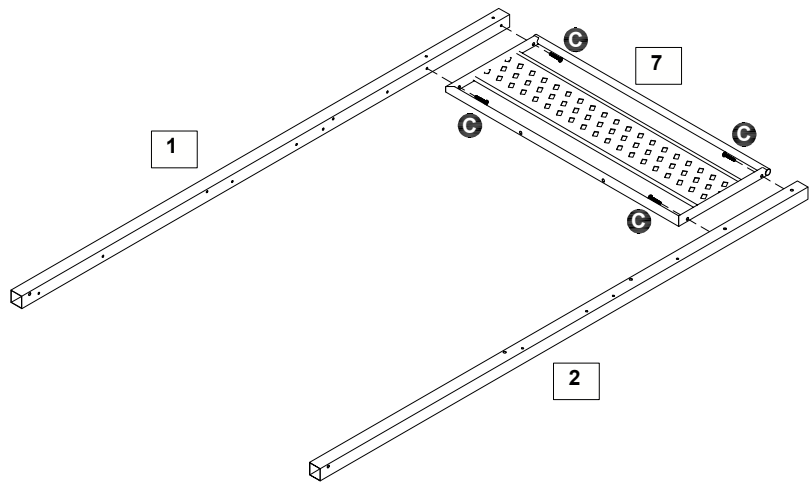
Ruler - User this ruler to help correctly identify the screws



# Assembly Instructions

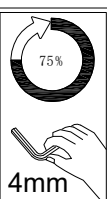
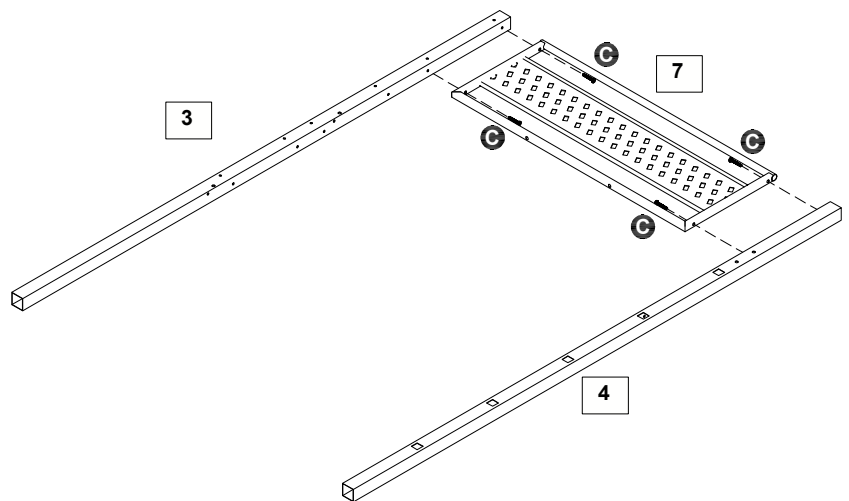
## Step 1

Attach End Guard Rail **7**  
to Post 01 **1** and Post 02  
**2** with **C**.



## Step 2

Attach End Guard Rail **7**  
to Post 03 **3** and Post 04  
**4** with **C**.

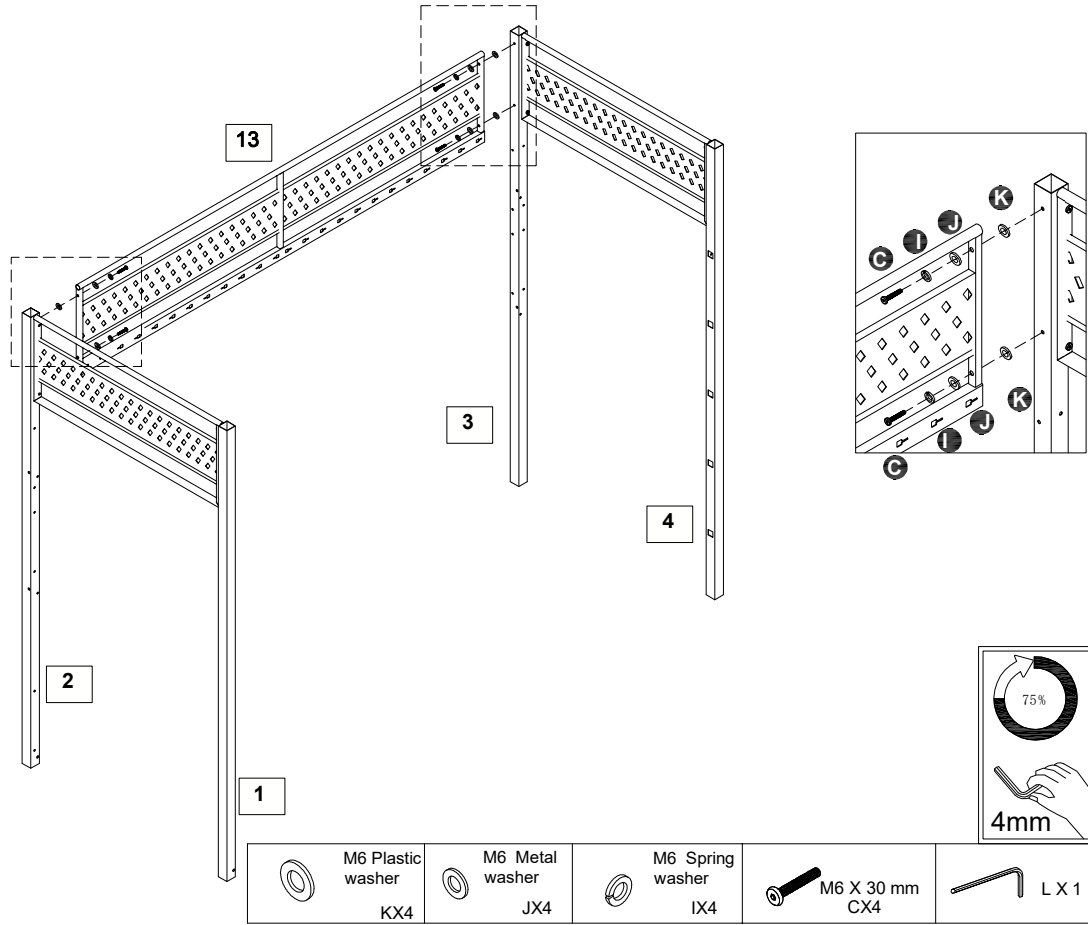




# Assembly Instructions

## Step 3

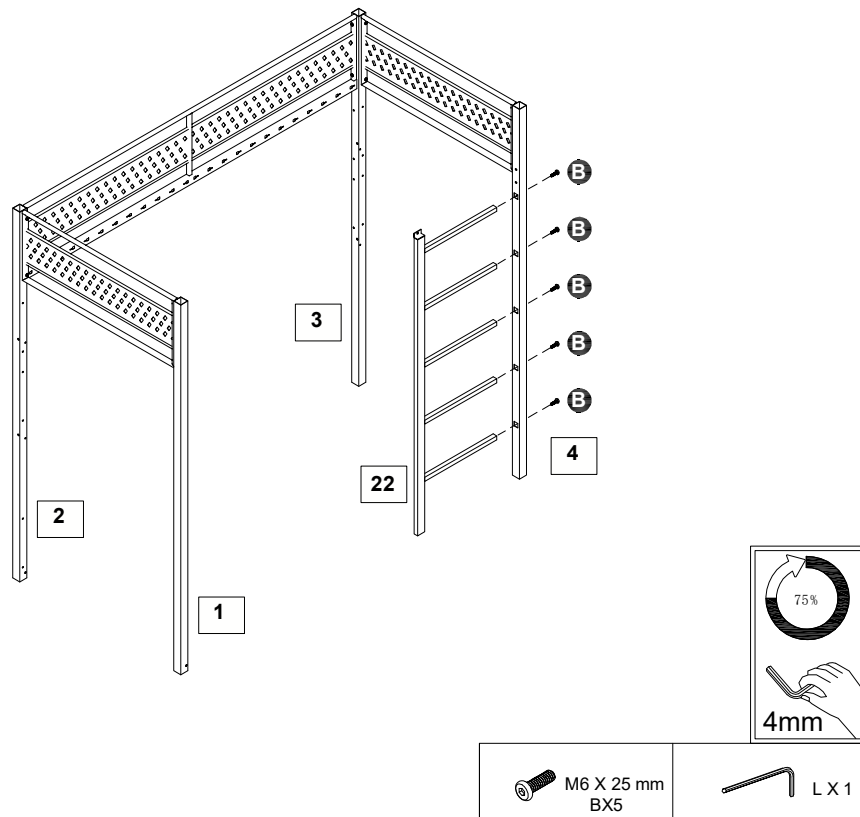
Attach Rear Guard Rail **13** to Post 02 **2** and Post 03 **3** with **C**, **I**, **J**, **K**.



## Step 4

Insert Ladder **22** into Post 04 **4** with **B**.

You may need to adjust the tread manually to insert to the holes one by one on Post 04 **4**.

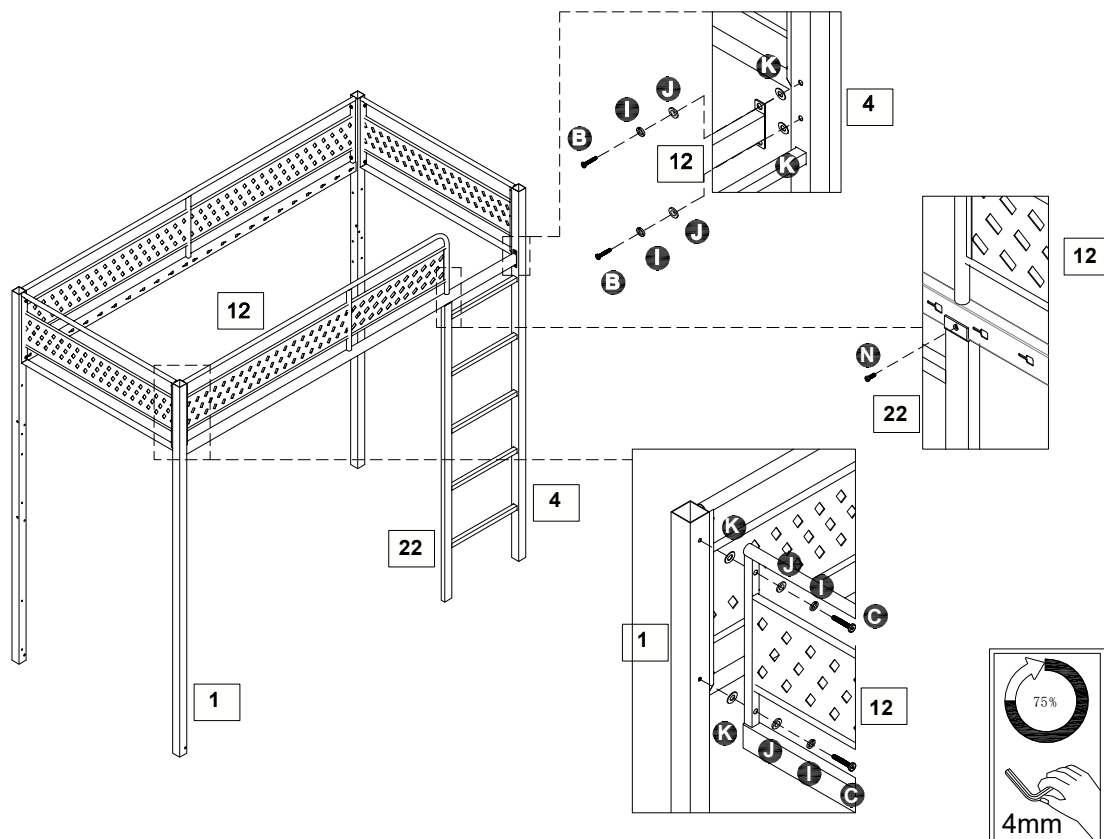









# Assembly Instructions

## Step 5

a: Attach Front Guard Rail **12** to Post 01 **1** with **C**, **I**, **J**, **K**, and Post 04 with **B**, **I**, **J**, **K**.

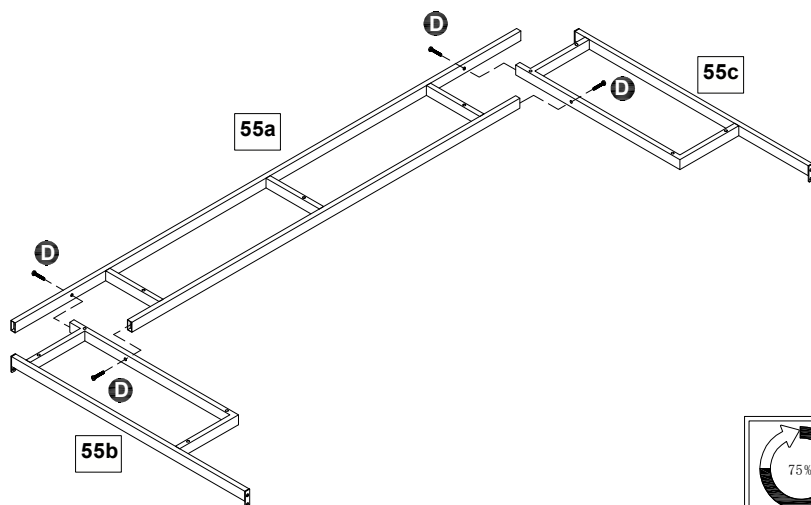
b: Attach Ladder **22** to Front Guard Rail **12** with **N**.





 M6 Plastic washer KX4	 M6 Metal washer JX4	 M6 Spring washer IX4	 M6 X 30 mm CX2	 M6 X 25 mm BX2	 M6 X 17 mm NX1	 L X 1
--	--	---	---	---	---	---

## Step 6

Attach Left Shelf Support Frame **55b** and Right Shelf Support Frame **55c** to Main Shelf Support **55a** with **D**.



 M6 X 38 mm DX4	 L X 1
---	---

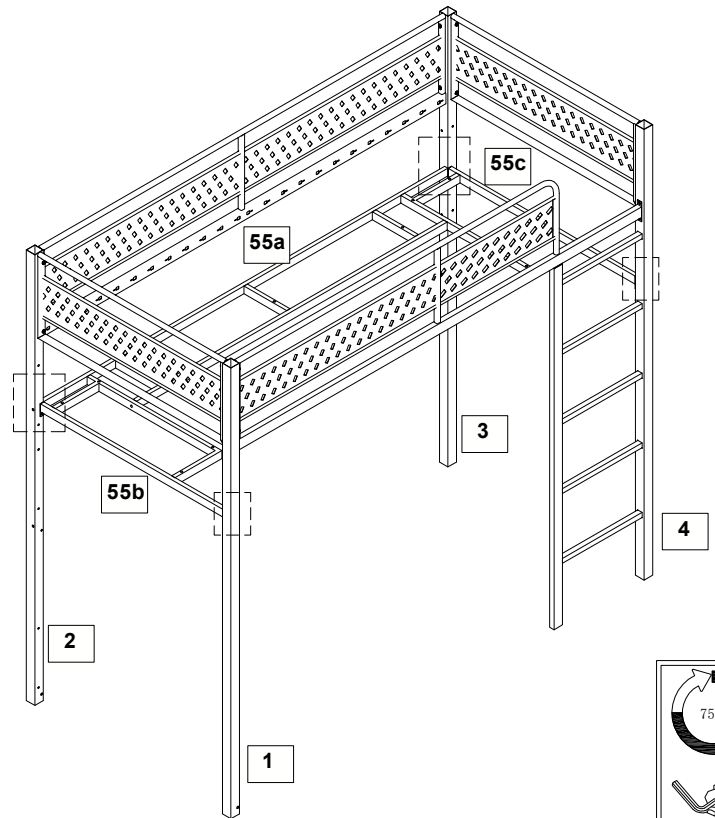
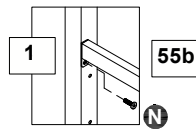
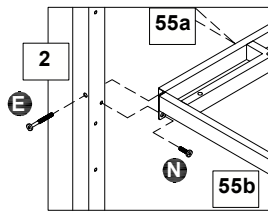
# Assembly Instructions

## Step 7

**a:** Attach Left Shelf Support Frame **55b** to Post 01 **1** and Post 02 **2** with **N**.

**b:** Attach Right Shelf Support Frame **55c** to Post 03 **3** and Post 04 **4** with **N**.

**c:** Attach Main Shelf Support **55a** to Post 02 **2** and Post 03 **3** with **E**.



M6 X 17 mm  
NX4

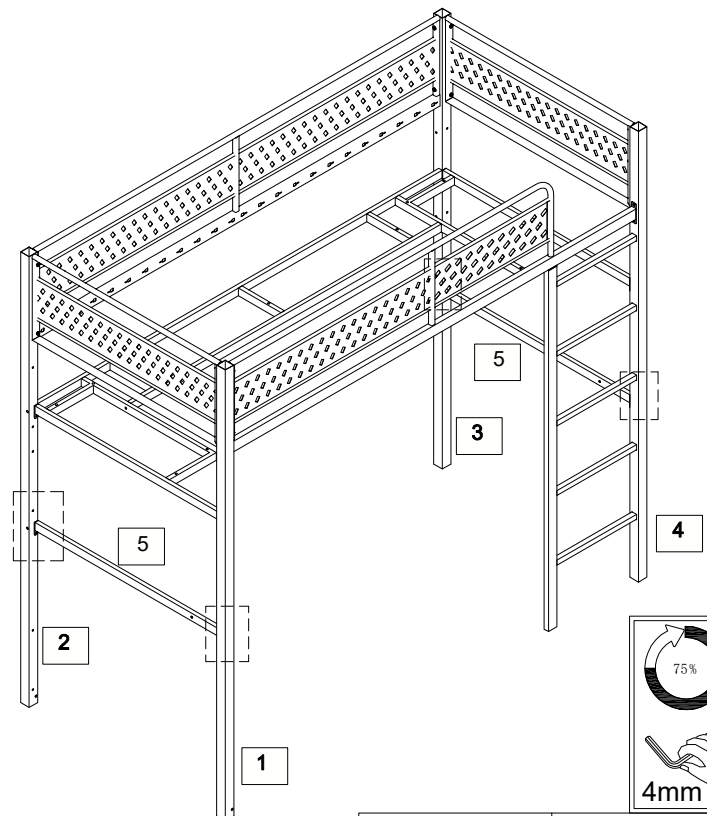
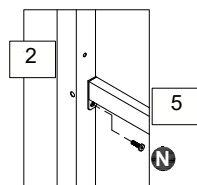
M6 X 60 mm  
EX2

L X 1

## Step 8

**a:** Attach Side Rail **5** to Post 01 **1** and Post 02 **2** with **N**.

**b:** Attach Side Rail **5** to Post 03 **3** and Post 04 **4** with **N**.



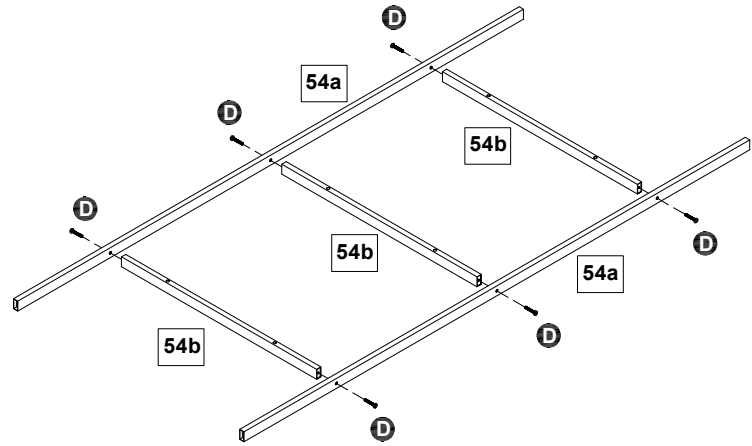
M6 X 17 mm  
NX4

L X 1

# Assembly Instructions

## Step 9

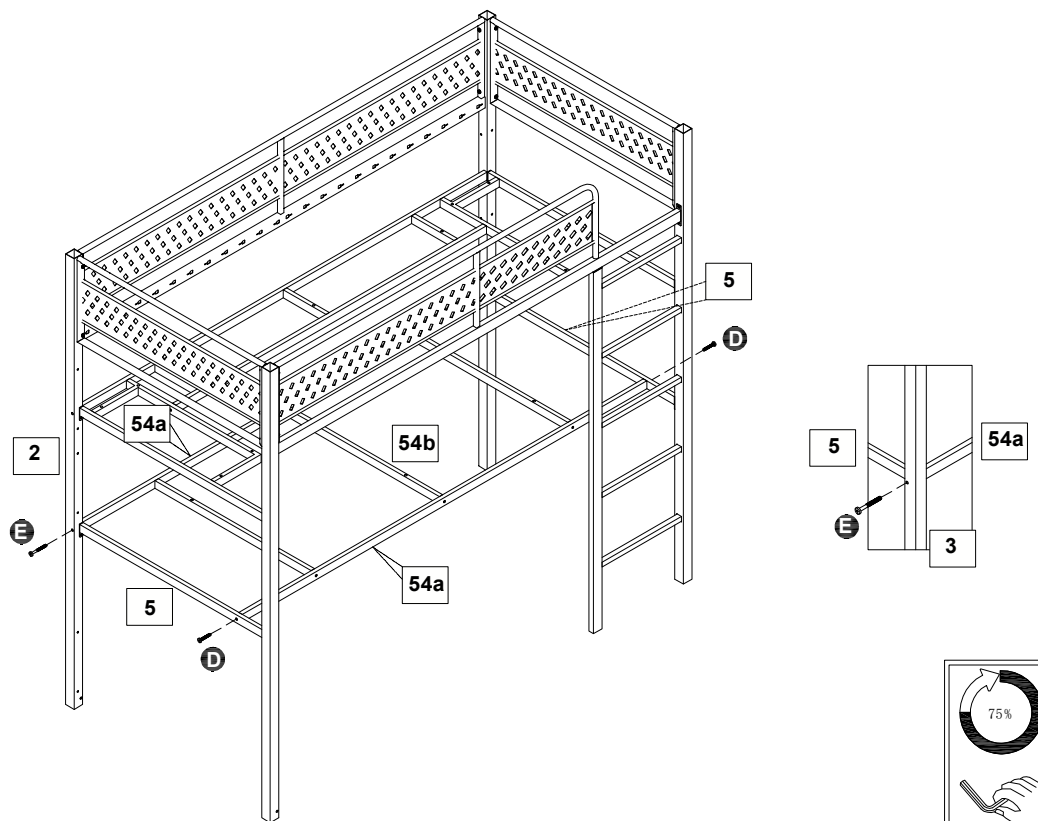
Attach Desk Support Rail 01 **54b** x3 to Desk Support Rail 02 **54a** x2 with **D** .



## Step 10

a: Attach Desk Support Rail 02 **54a** to Side Rail **5** with **D** .

b: Attach Desk Support Rail 02 **54a** to Post 02 **2** and Post 03 **3** with **E** .

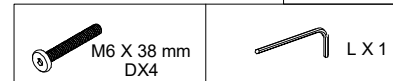
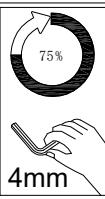
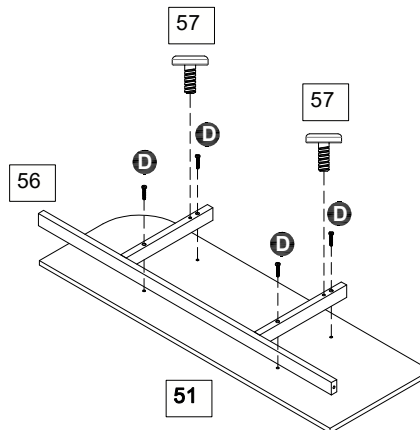


# Assembly Instructions

## Step 11

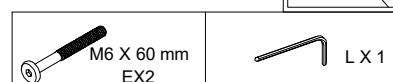
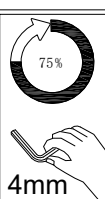
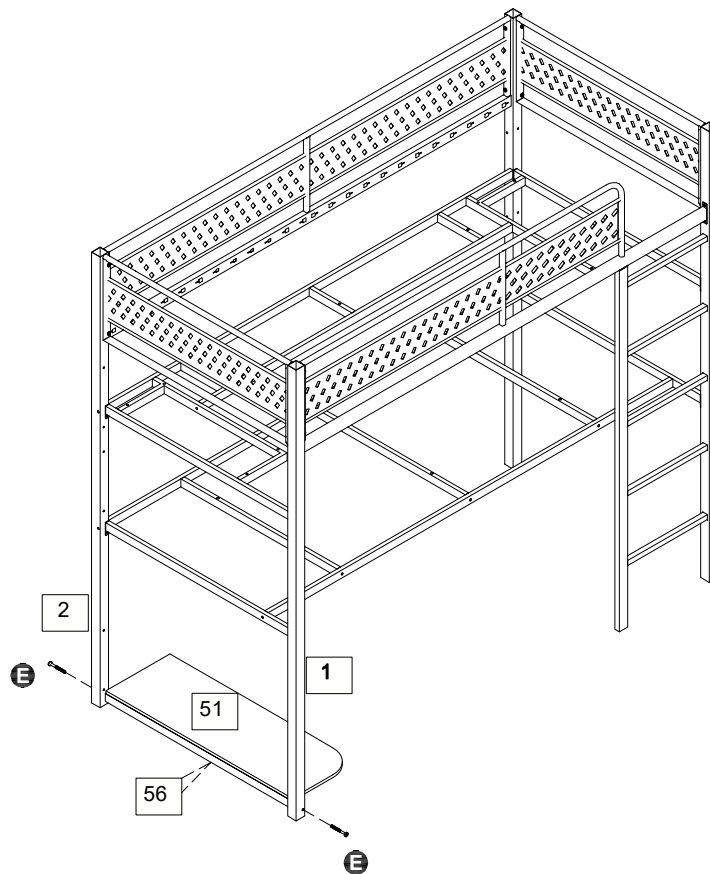
a: Attach Lower Shelf Support **56** to Bottom Shelf **51** with **D**.

b: Attach Pad **57** x2 to Lower Shelf Support **56**.



## Step 12

Attach Lower Shelf Support **56** to Post 01 **1** and Post 02 **2** with **E**.



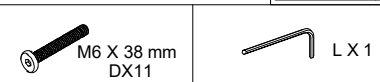
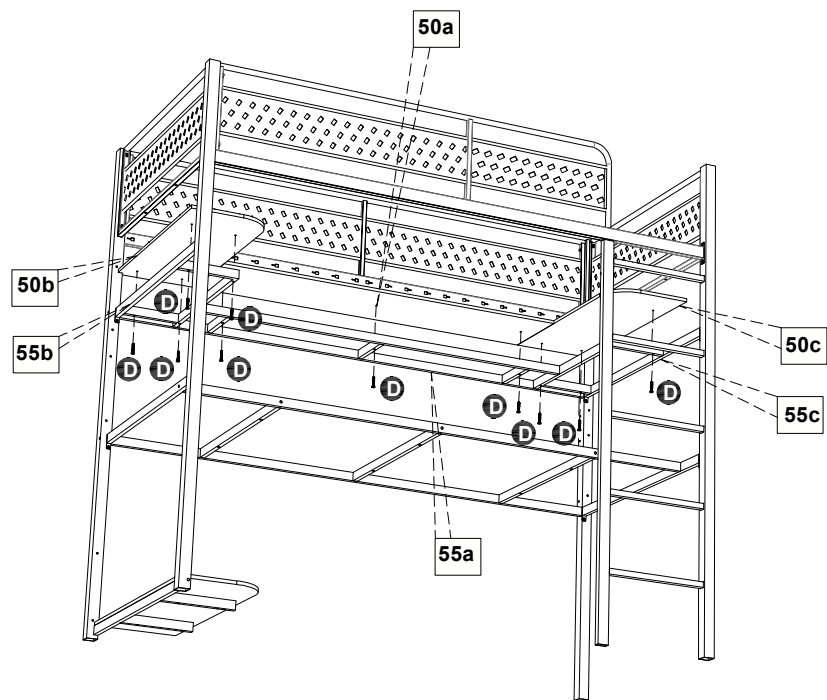
# Assembly Instructions

## Step 13

**a:** Attach Left Shelf **50b** to Left Shelf Support Frame **55b** with **D**.

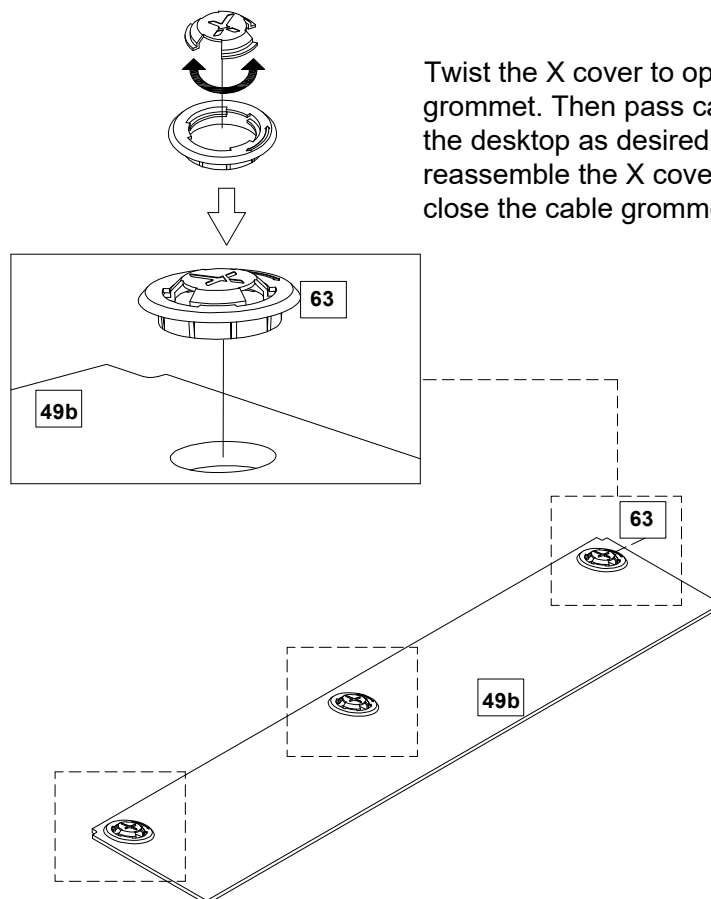
**b:** Attach Right Shelf **50c** to Right Shelf Support Frame **55c** with **D**.

**c:** Attach Main Shelf **50a** to Main Shelf Support **55a** with **D**.



## Step 14

Attach Cable Cap **63** x3 to Rear Desktop **49b**.

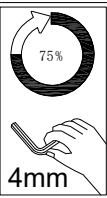
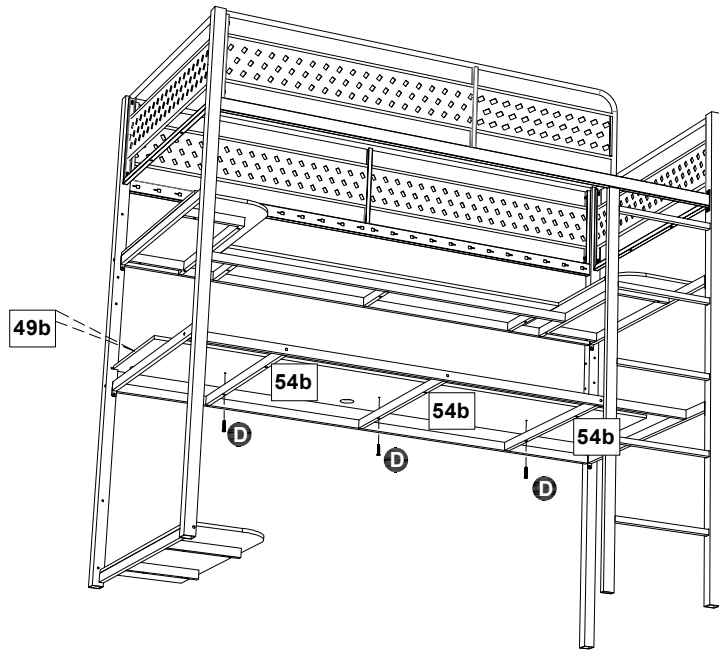


Twist the X cover to open the cable grommet. Then pass cables through the desktop as desired. Then reassemble the X cover and twist to close the cable grommet again

# Assembly Instructions

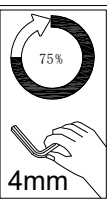
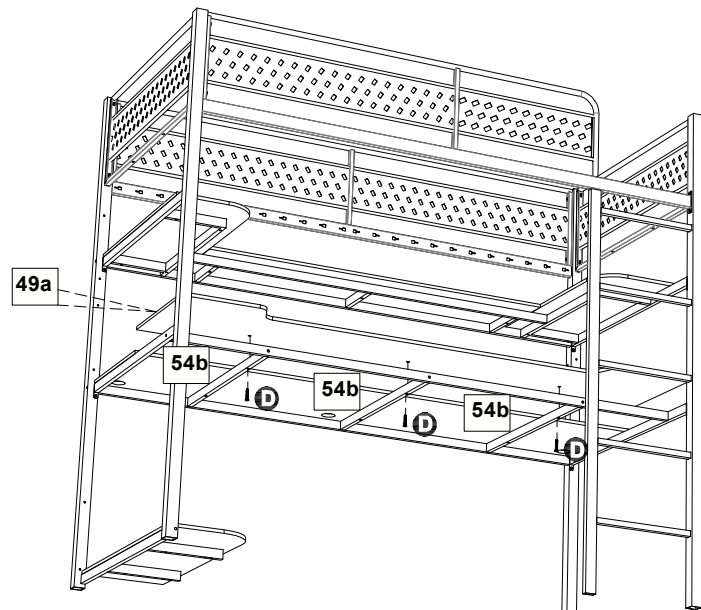
## Step 15

Attach Rear Desktop **49b** to Desk Support Rail 01 **54b** with **D**.



## Step 16

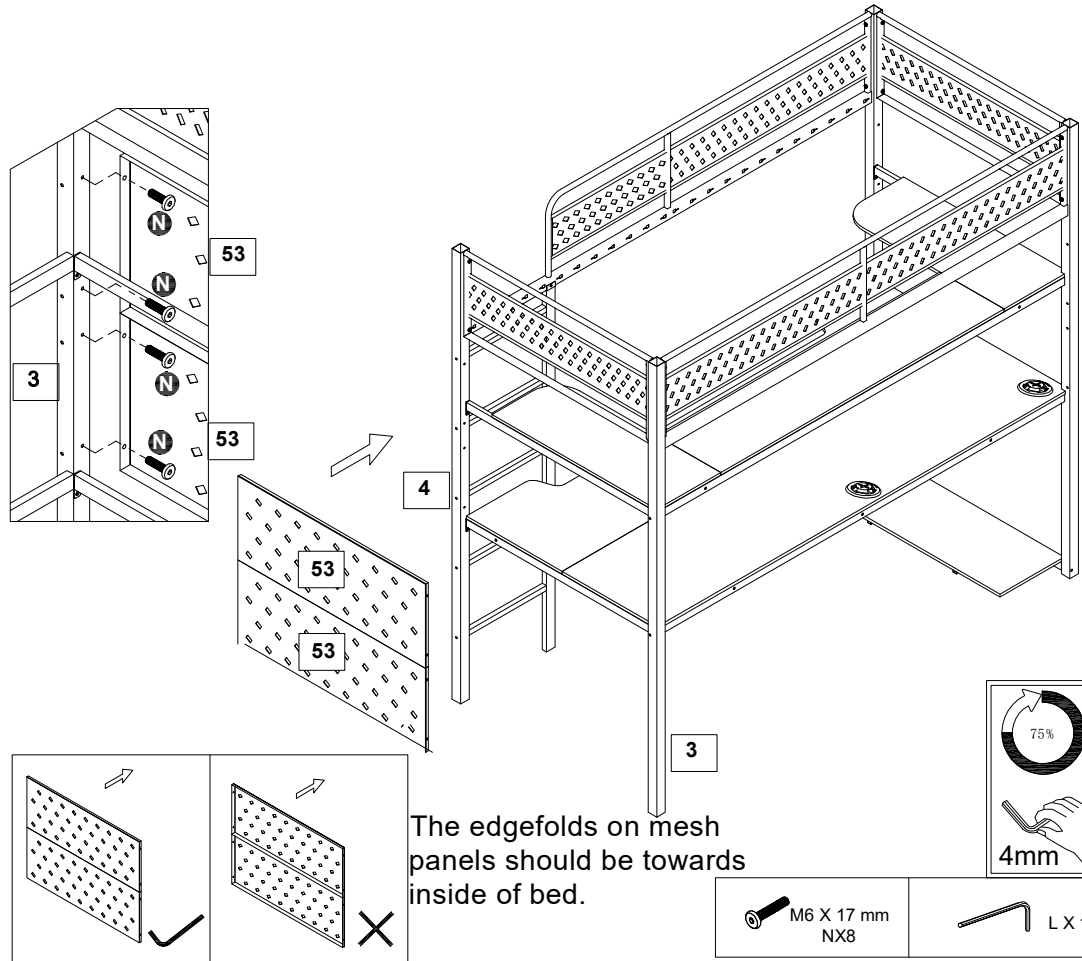
Attach Front Desktop **49a** to Desk Support Rail 01 **54b** with **D**.



# Assembly Instructions

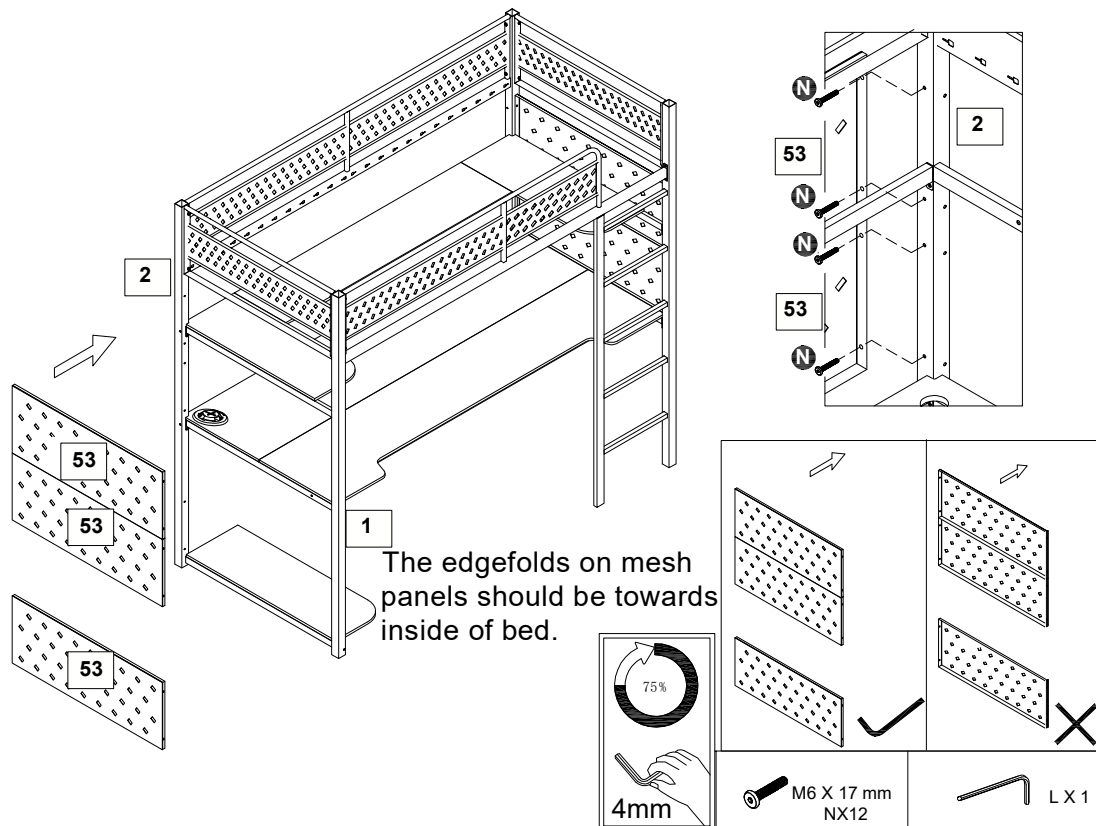
## Step 17

Attach Side Mesh Panel **53** x2 to Post **03** **3** and Post **04** **4** with **N**.



## Step 18

Attach Side Mesh Panel **53** x3 to Post **01** **1** and Post **02** **2** with **N**.



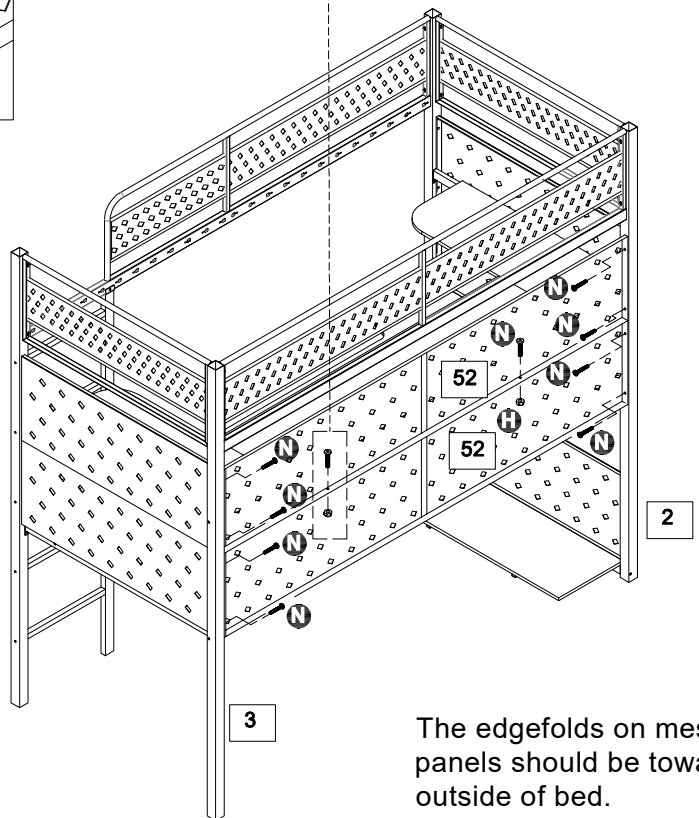
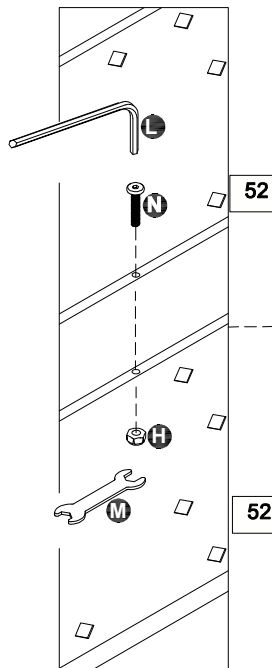


# Assembly Instructions

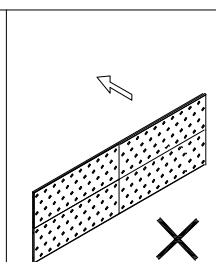
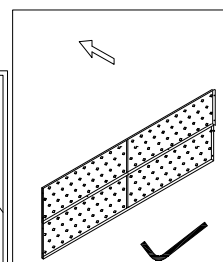
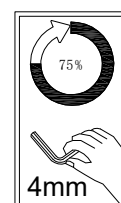
## Step 19





**a:** Attach Rear Mesh Panel  
**52** x2 to Post **02** **2** and Post  
**03** **3** with **N** .

**b:** Attach Rear Mesh Panel  
**52** x2 together with **N** **H** .



The edgefolds on mesh panels should be towards outside of bed.



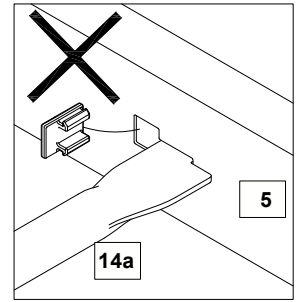
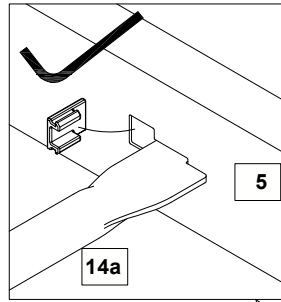
 M6 X 17 mm NX10	 M6 HX2	 L X 1	 MX 1
--	---	---	--

# Assembly Instructions

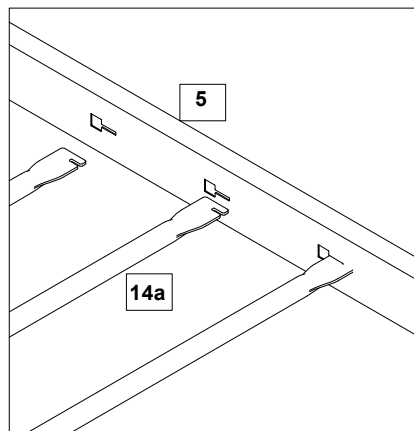
## Step 20

**a:** Secure the Slats **14a** x24 to Rear Guard Rail **13** and Front Guard Rail **12** .

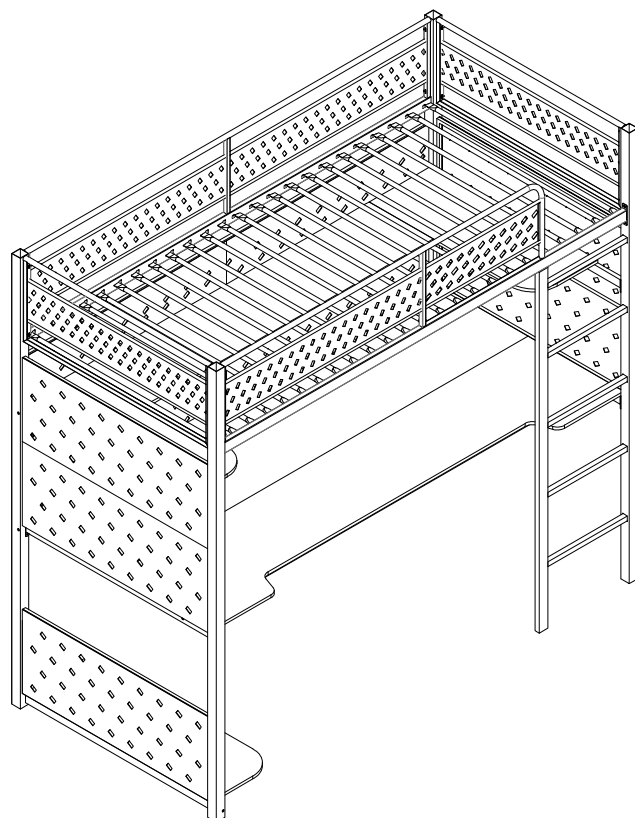
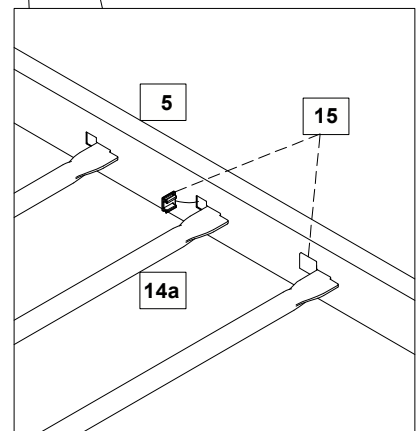
**b:** Secure the Plastic Plug **15** x48 to Rear Guard Rail **13** and Front Guard Rail **12** .



**a:**



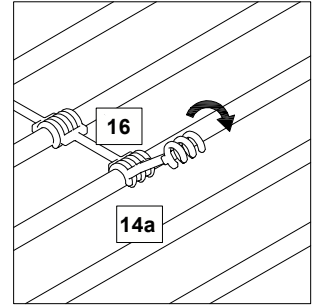
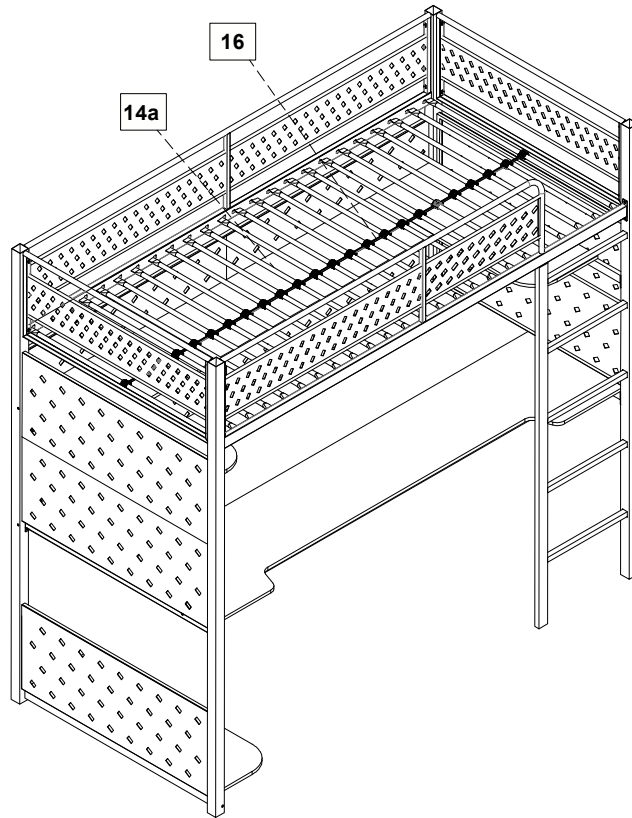
**b:**



# Assembly Instructions

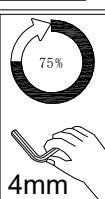
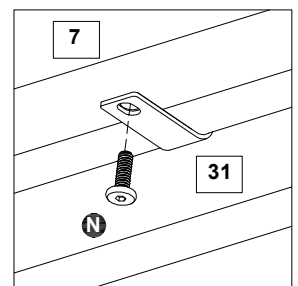
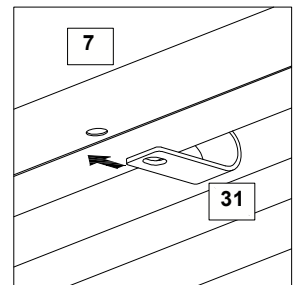
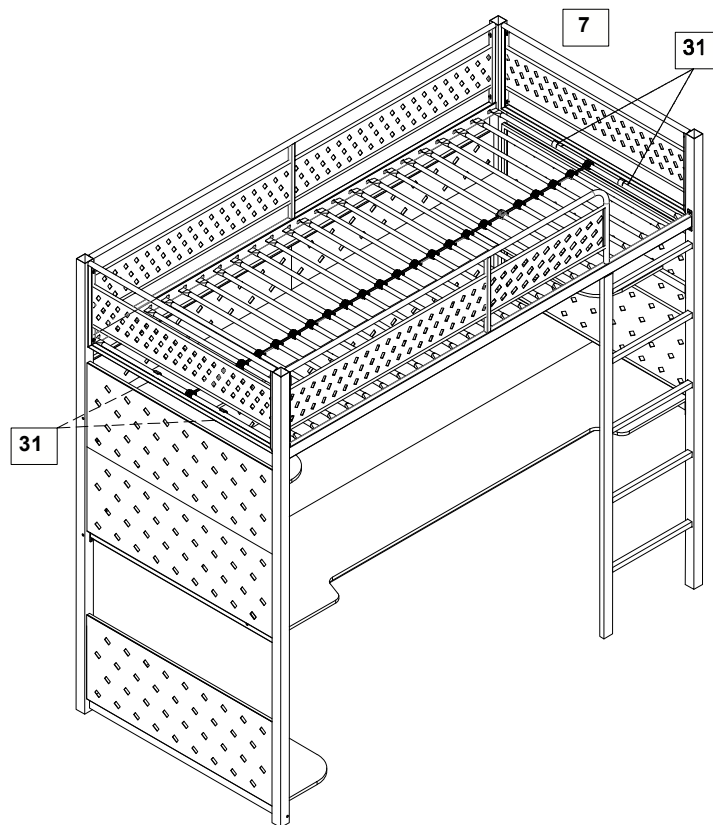
## Step 21

Secure Slat Spacer **16** x23 to Slats **14a** x24.



## Step 22

Attach Bracket **31** x4 to End Guard Rail **7** x2 with **N**.

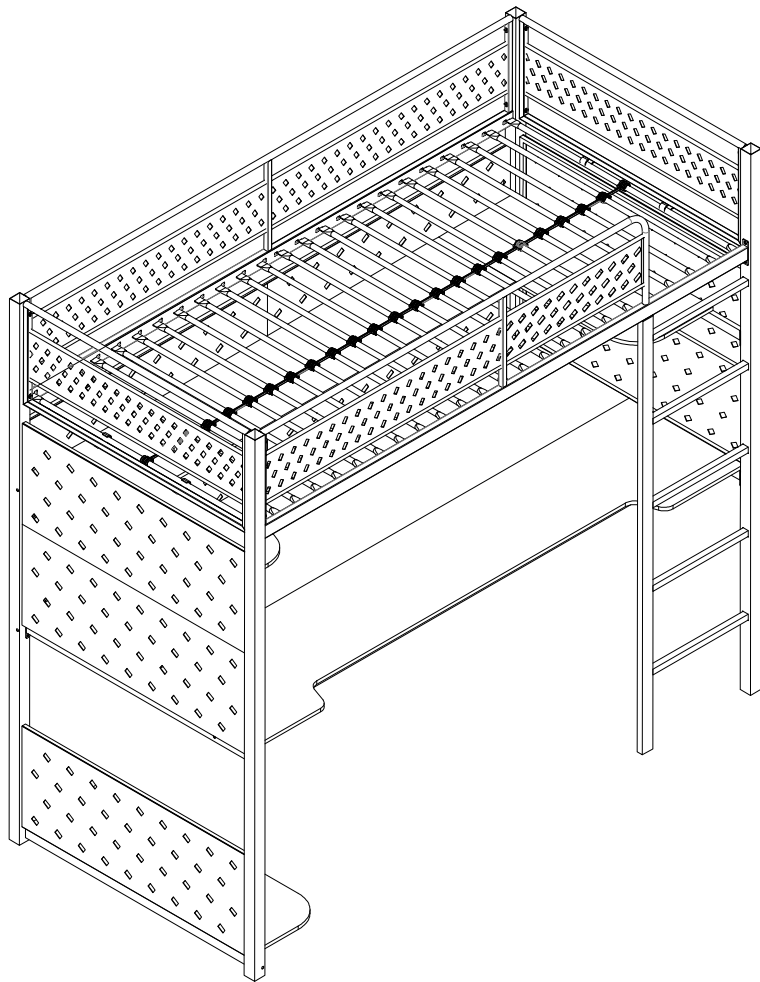


M6 X 17  
NX4

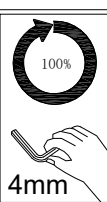
L X 1

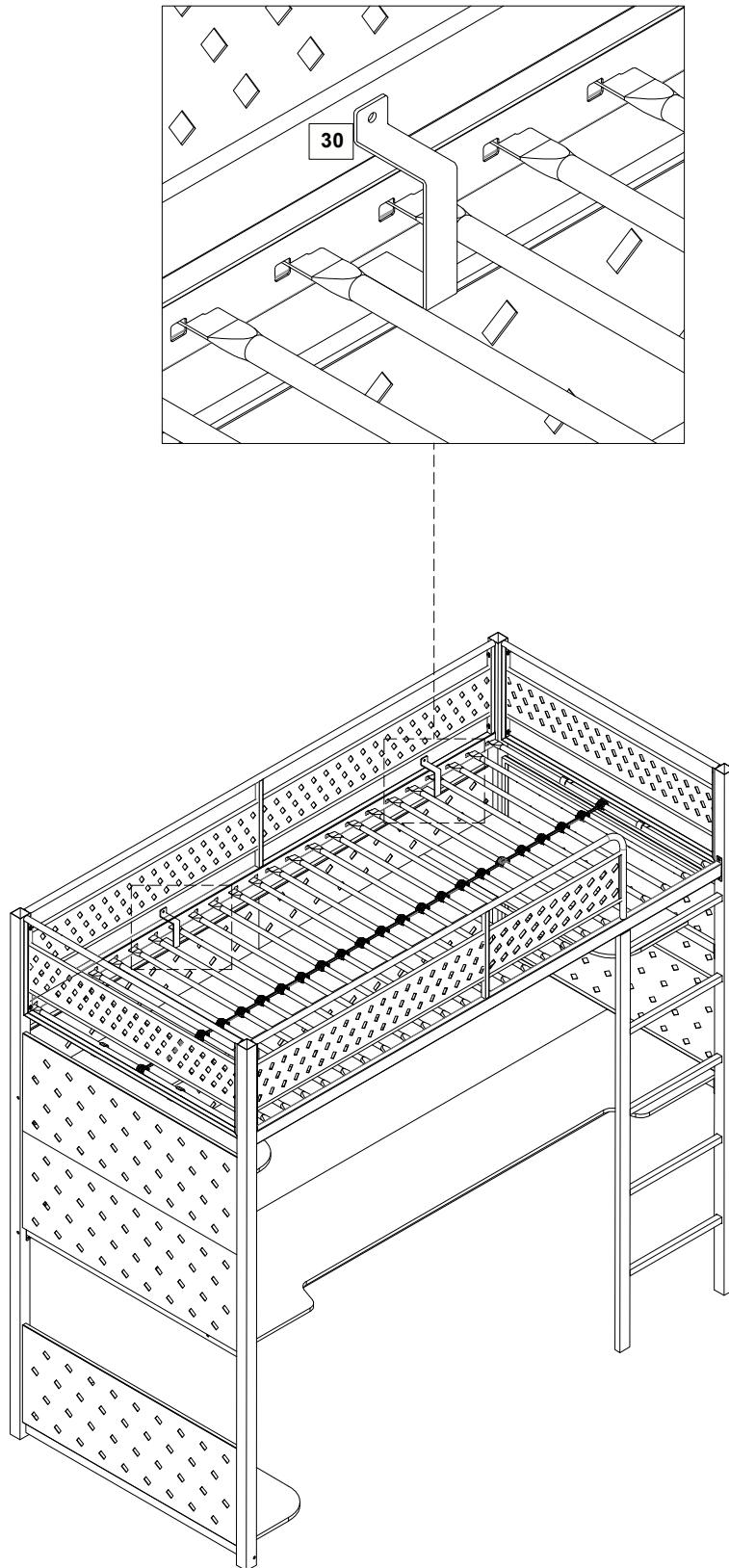
# Assembly Instructions

Step 23



Assembly is complete





For your safety, it is imperative to fix your furniture to the wall. Please source the right wall mounting hardware according to the nature of wall.

# A Guide to Wall Mounting & Fixings

## Important note:

If plastic wall plugs are supplied with your product:



- these are only suitable for use in masonry walls.

If you are in any doubt about the correct wall plugs for your wall, seek professional advice.


Failure of the product due to using incorrect fixings is the responsibility of the installer.



**Important:** When drilling into walls always check that there are no hidden wires or pipes etc.

Make sure that the screws and wall plugs being used are suitable for supporting your unit. Consult a qualified tradesperson if you are unsure.

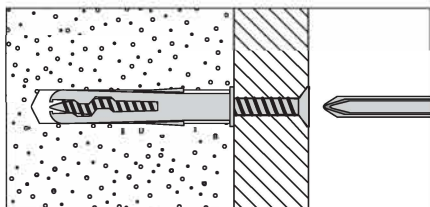
### Hints:

- 1: General rule:  Always use a larger screw and wall plug if you are not sure.
- 2: Ensure you use the recommended drill bit to match the wall plug and hole size.
- 3: Ensure you drill the hole horizontally, do not force the drill or enlarge the hole.
- 4: Take extra care when drilling high walls, ceilings and ceramic tiles. Ensure wall plugs are inserted beyond the thickness of the ceramic tiles to avoid the tiles splitting or cracking.
- 5: Ensure wall plugs are well fitted and are a tight fit in the drilled hole.

## Types of walls

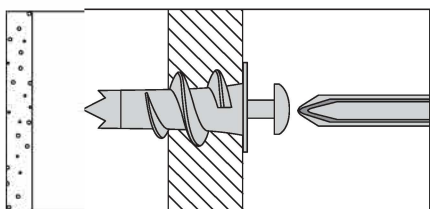
You can use one of the following types of wall plug if your walls are made of brick, breeze block, concrete, stone or wood.

### No.1 "General Purpose" wall plug



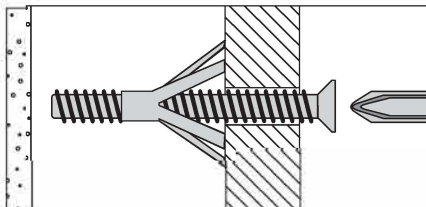
Generally aerated blocks should not be used to support heavy loads, use a specialist fitting in this case. For light loads, general purpose wall plugs can be used.

### No.2 "Plasterboard" wall plug



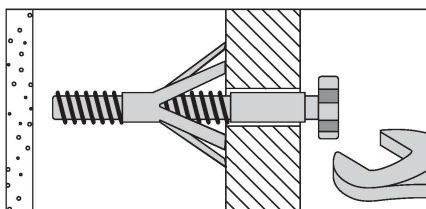
For use when attaching light loads on to plasterboard partitions.

### No.3 "Cavity Fixing" wall plug



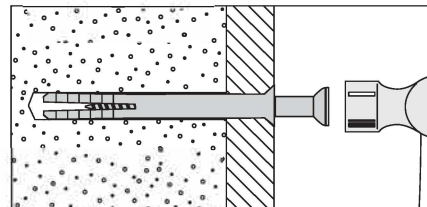
For use with plasterboard partitions or hollow wooden doors.

### No.4 "Cavity Fixing-Heavy Duty" wall plug



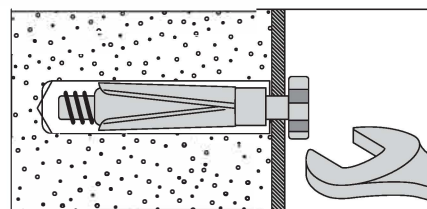
For use when fitting or supporting heavy loads such as shelving, wall cabinets and coat racks.

### No.5 "Hammer Fixing" wall plug



For use with walls stuck with plasterboard. The hammer fixing allows it to be fixed to the wall rather than the plasterboard. Always check the fixing is secure to the retaining wall.

### No.6 "Shield Anchor" wall plug Heavy loads



For use with heavier loads such as TV & HiFi speakers and satellite dishes etc.



## Care & Maintenance

**Safety:** Always check the fitting and location to ensure your safety in and around the home.

**Fitting:** From time to time check the fitting to ensure the wall plugs or screws do not become loose.