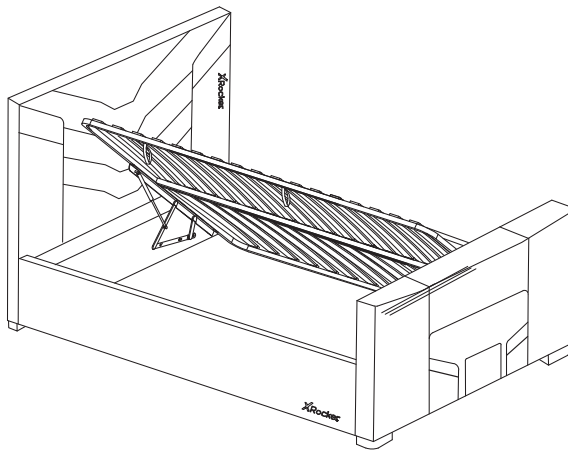


ASSEMBLY INSTRUCTION

PLEASE read this leaflet prior to assembly to familiarise yourself with the various stages of construction. Carefully open the pack supplied and check the contents against the parts and fitting check list. Do not throw any of the packing away until you are certain that you have all the necessary parts for assembly.

CAUTION: There are small components used in the construction of this unit. These loose items should be kept away from young children while assembling your unit to avoid danger of choking and/or suffocation hazards.



FOR PARTS & TECHNICAL
SUPPORT VISIT :

www.xrockeruk.com/pages/support

IMPORTANT :

- Please read through this leaflet and follow the simple step-by-step instructions.
- Please keep all fittings out of the reach of children.
- Please ensure the parts placed on a flat & soft surface before assembly.
- Please ensure you have the right tools, Do Not use power tools to assembly this product.
- Please ensure a clean, dry and spacious area for assembly.
- Due to the size of this product we recommend that it is assembled in the room intended for its use.
- Please retain these instructions for future reference.

WARNINGS

- Ensure the product is fully assembled and secured as illustrated before use.
- Ensure the legs always remain in contact with the ground.
- Ensure all screws or bolts are tightened and inspect regularly.
- Do not stand or jump on the product.
- Do not use this product if parts are missing, damage or worn.
- Do not expose this product to water or areas with high moisture.
- Do not place the product in direct sunlight This could lead to colour fading.
- Do not use open flames such as candles, fires or cigarettes.
- Do not place the product against a radiator as the heat may melt the covering.
- Do not use the product for long periods in rooms over 35 degrees Celsius.
- Do not use a scourer, abrasives or chemicals to clean the product, only clean with a sponge wipe and warm soapy water.



CERBERUS GAMING OTTOMAN TV BED

COLOUR: RED/BLACK, BLUE/BLACK

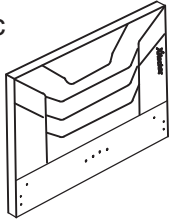
SIZE : SINGLE 3',SMALL DOUBLE 4',DOUBLE 4'6"

ELECTRICAL COMPONENTS

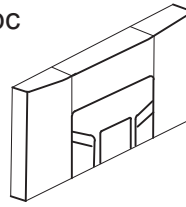
- In order to prevent injury, never attempt to remove the cover or any other components.
- Power cord – only to plugged into an AC 110V – 240V power outlet.
- Power off before plug in / unplug.
- Regularly check all the fittings are tight & that there are no loose cables that could get trapped.
- Unplug the electrical cord during thunderstorms / not in used.
- This appliance is not intended for use by persons (including children) with reduced physical, sensory or mental capabilities, or lack of experience and knowledge, unless they have need given supervision / instruction the use of the appliance who's responsible for their safety.

Parts

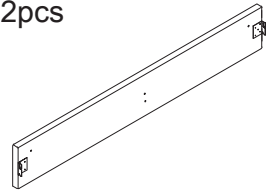
(1) Headboard x 1pc



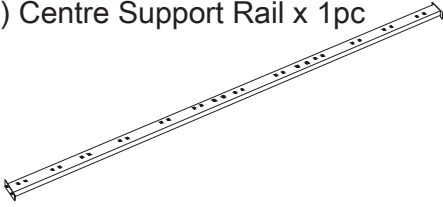
(2) Footboard x 1pc



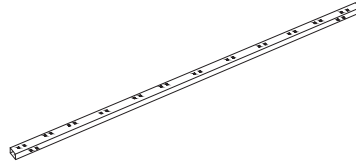
(3) Side Rail x 2pcs



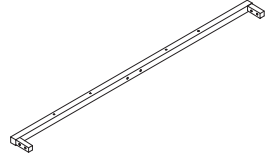
(4) Centre Support Rail x 1pc



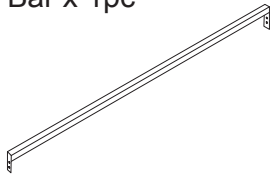
(5) Long Frame Rail x 2pcs



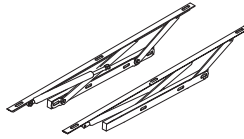
(6) Horizontal Frame Rail x 2pcs



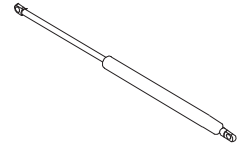
(7) Horizontal Bar x 1pc



(8) Hinge x 2pcs



(9) Gas Strut x 2pcs



(10) Mattress Stopper x 2pcs



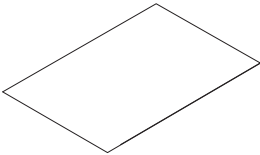
(11) Button x 2pcs



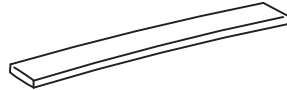
(12) Strap x 2pcs



(13) Non Woven Fabric x 1pc



(14) Slats x 28pcs



(15) Metal Corner Plate x 4pcs



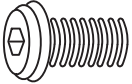
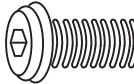
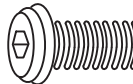






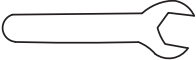






(16) Footboard Leg x 2pcs



(17) Headboard Leg x 2pcs

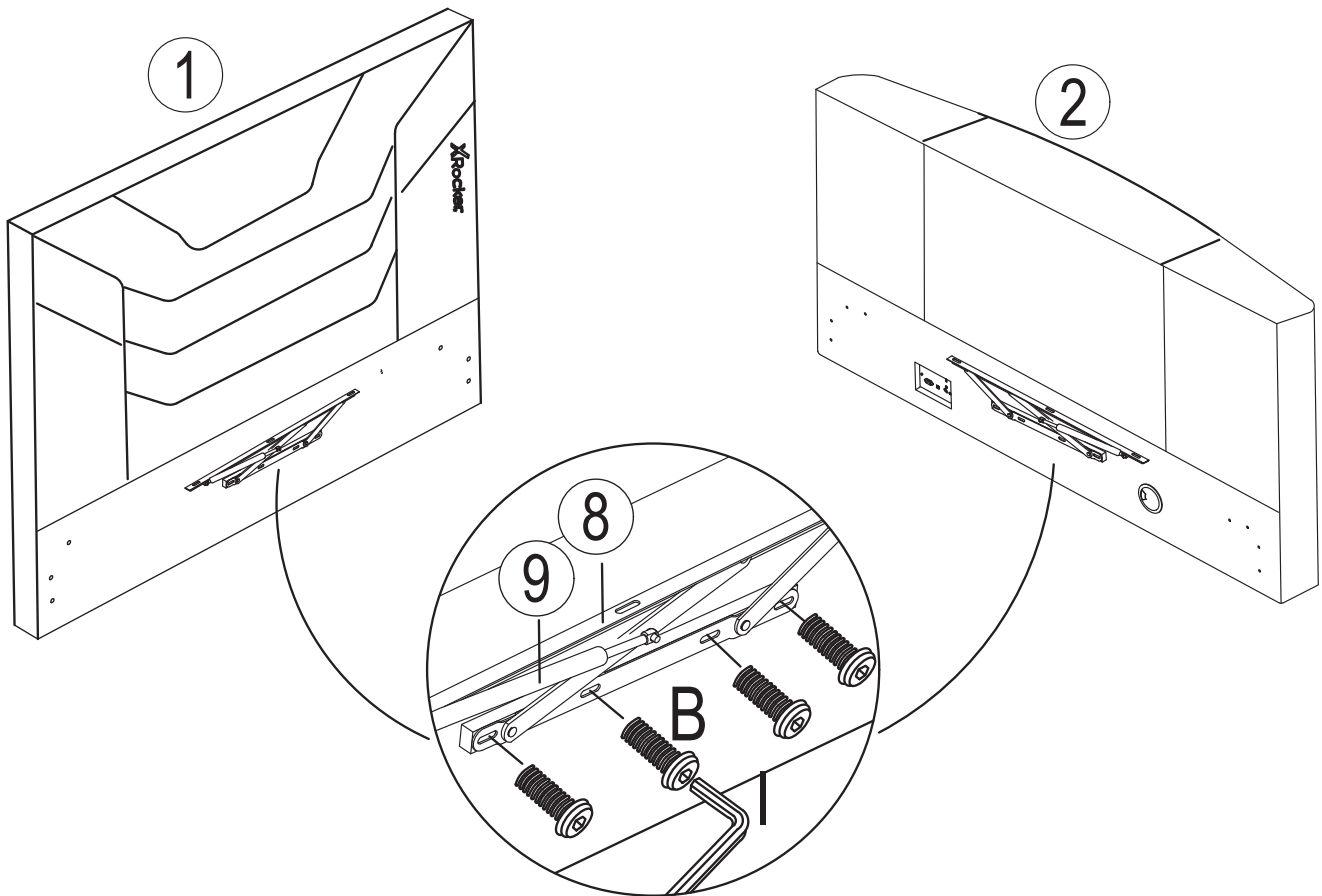


Fittings

(A)  12x 16mm M8 Bolt	(B)  20x 30mm M8 Bolt	(C)  14x 40mm M8 Bolt	(D)  6x NUT M8 x 13mm	(E)  8x Flat Washer M8x22
(F)  8x 30mm M3 Screw	(G)  8x 30mm M6 Bolt	(H)  8x Washer M6 x 13mm	(I)  1x M5 Allen Key	(J)  1x Spanner
(K)  1x M4 Allen Key	(L)  4x 15mm M4 Bolt	(M)  4x Flat Washer M6 x 16	(N)  14x Centre Slat Cap	(O)  28x End Slat Cap
(P)  3x Felt Pad				

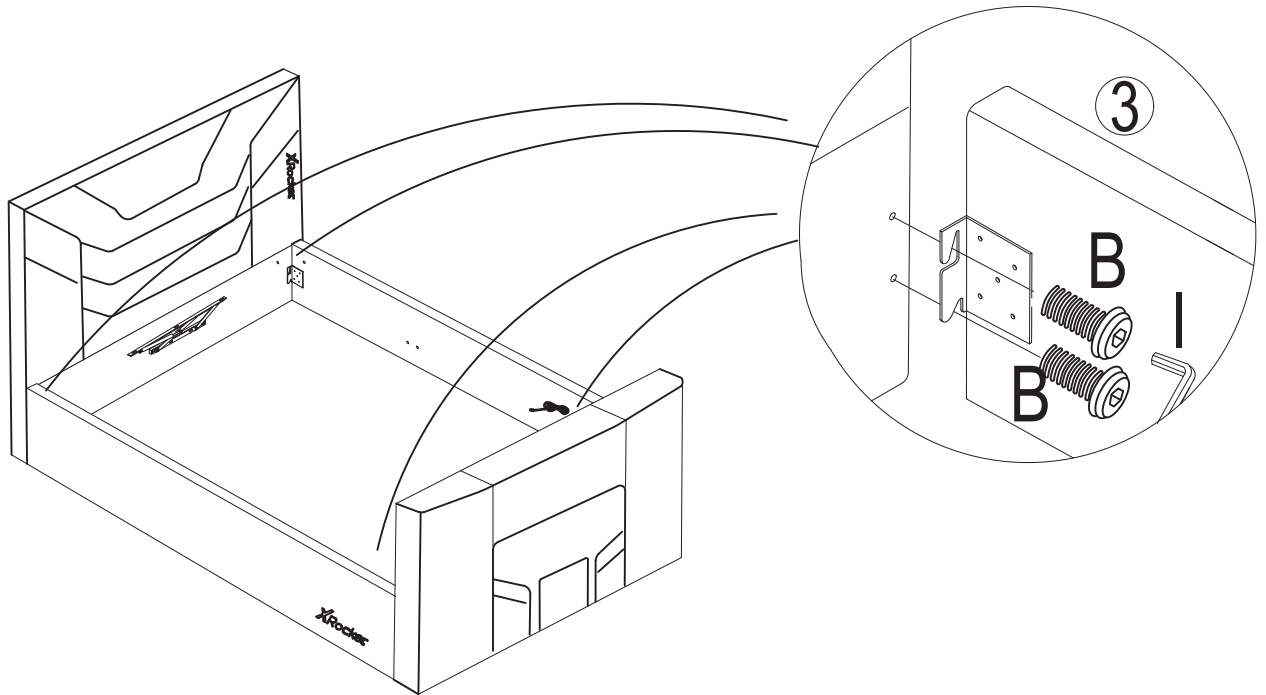
Step 1

(B)  8x 30mm M8 Bolt	(I)  1x M5 Allen Key			
---	---	--	--	--



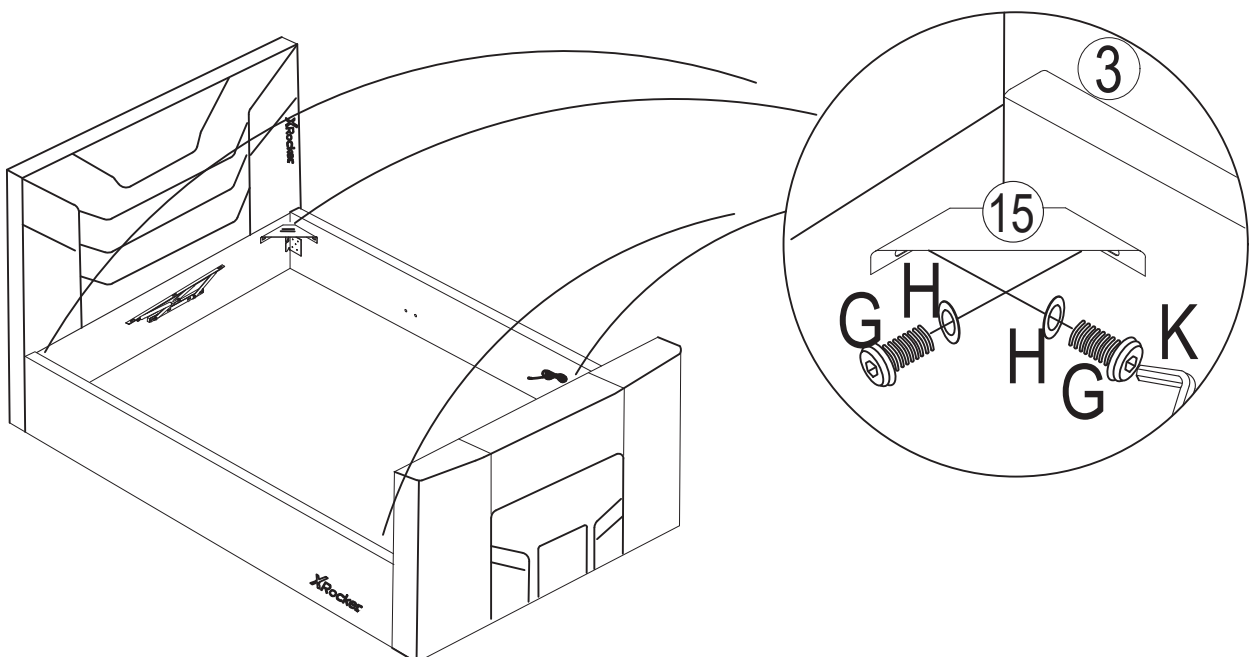
Step 2

B 8x 30mm M8 Bolt	I 1x M5 Allen Key			
--------------------------------	--------------------------------	--	--	--



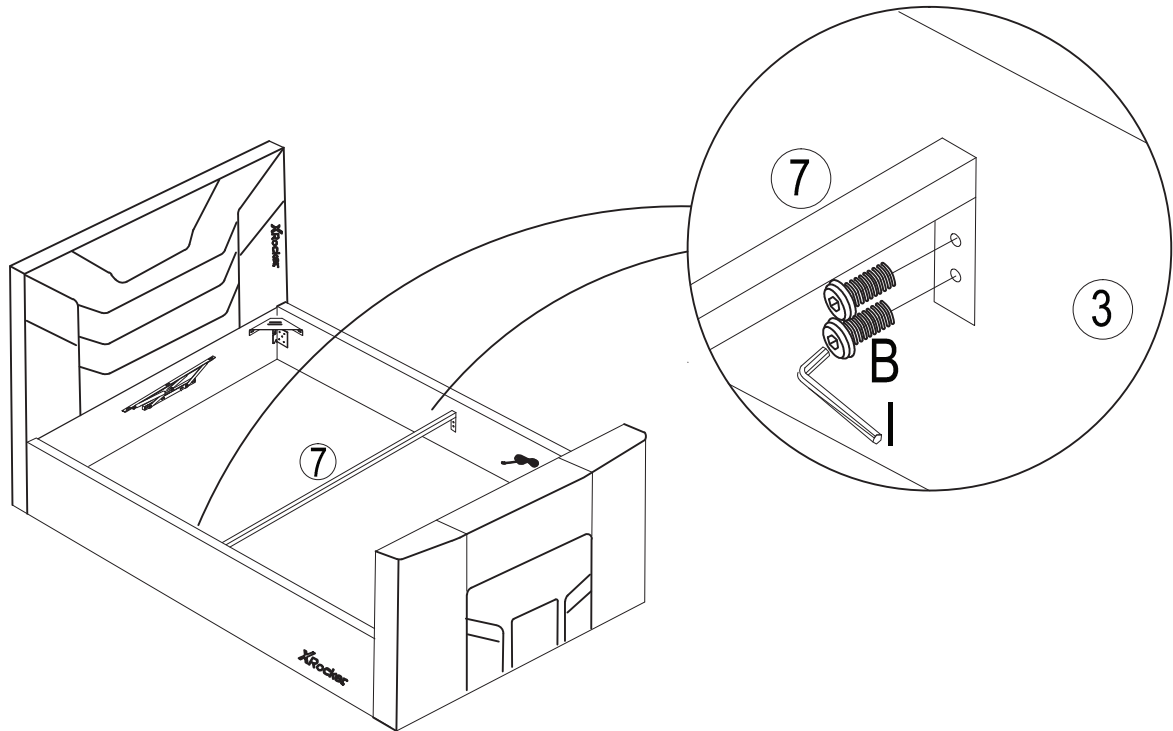
Step 3

G 8x 30mm M6 Bolt	H 8x Washer M6 x 13mm	K 1x M4 Allen Key		
--------------------------------	------------------------------------	--------------------------------	--	--



Step 4

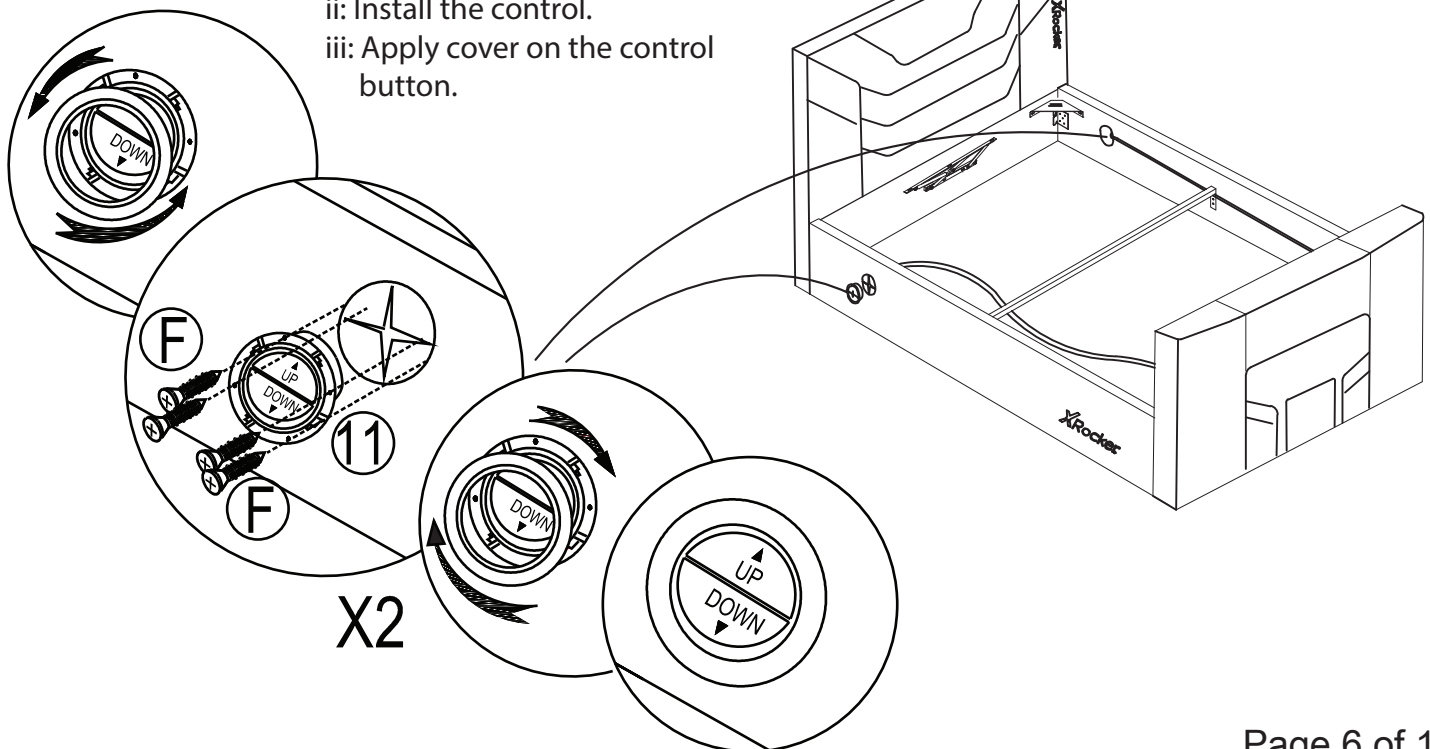
(B) 4x 30mm M8 Bolt	(I) 1x M5 Allen Key			
----------------------------------	----------------------------------	--	--	--



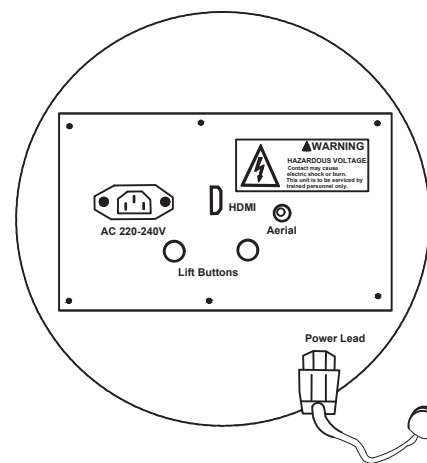
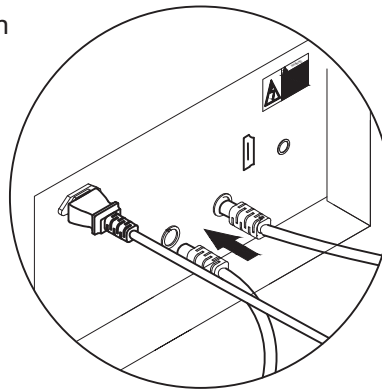
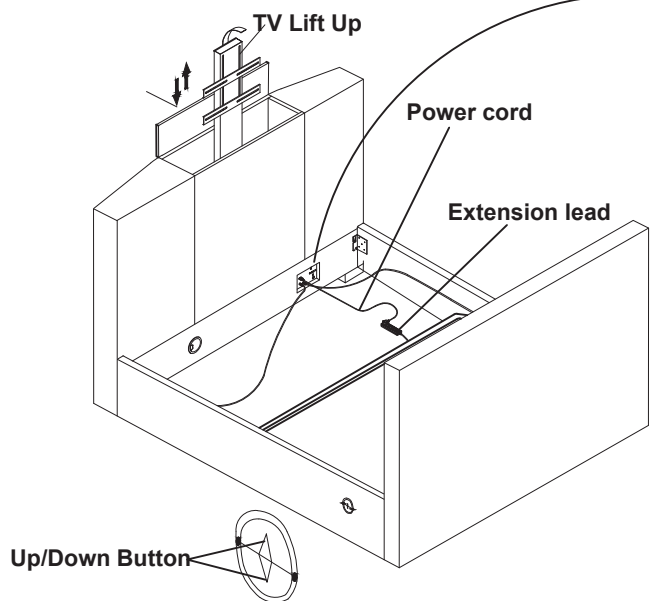
Step 5

(F) 8x 30mm M3 Screw				
-----------------------------------	--	--	--	--

To install Control Button:
i: Remove the outer button cover.
ii: Install the control.
iii: Apply cover on the control button.



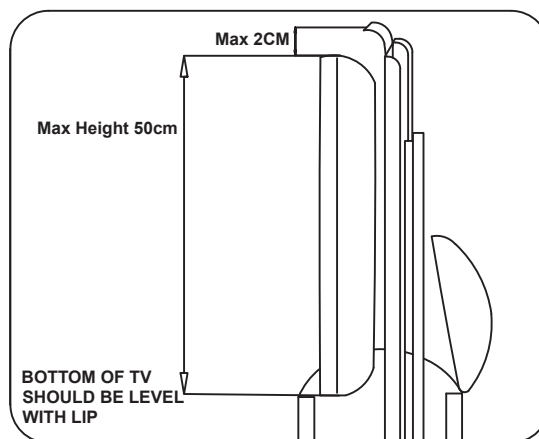
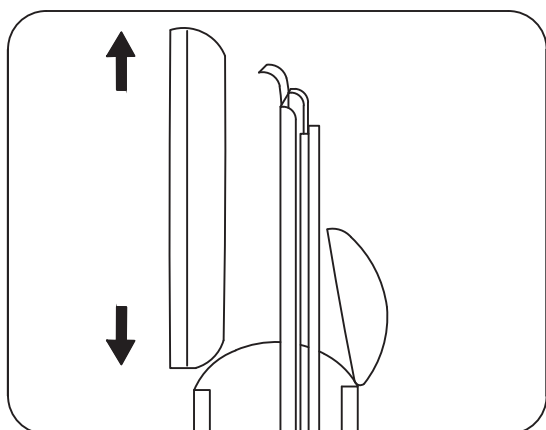
- Connect the TV lift up Power cord from the control box to the main supply (extension lead might be needed) .
- The mains supply must be fully earthed when it not in use.



- Plug the TV power cable into the socket (at the bottom of footboard) then connect your own media cables.
- Connect the cables to the television & media equipment and make sure the cables are not loose. If necessary use cable ties & cable clips to route cable safely.


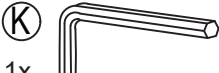
- When selecting a TV for this bed please ensure the dimensions and fixing pins are compatible.
- TV Max Size: overall dimensions up to W750 x H450 x D60mm.
- Maximum VESA Mounting bracket dimensions: Horizontal fixing Adjustable up to 265mm.
 - Vertical Fixing Adjustable up to 300mm.
 - Fixing screws 4mm.

Use the screws provided to attach the TV to the bracket. if the screws supplied are not the correct size please source suitable ones recommended by the TV manufacturer from your local hardware store.



- The TV mounting bracket is factory fitted, please ensure it's level when install the TV.
- Use the fittings provide by TV manufacturer, from the TV installation kit from this purchase.

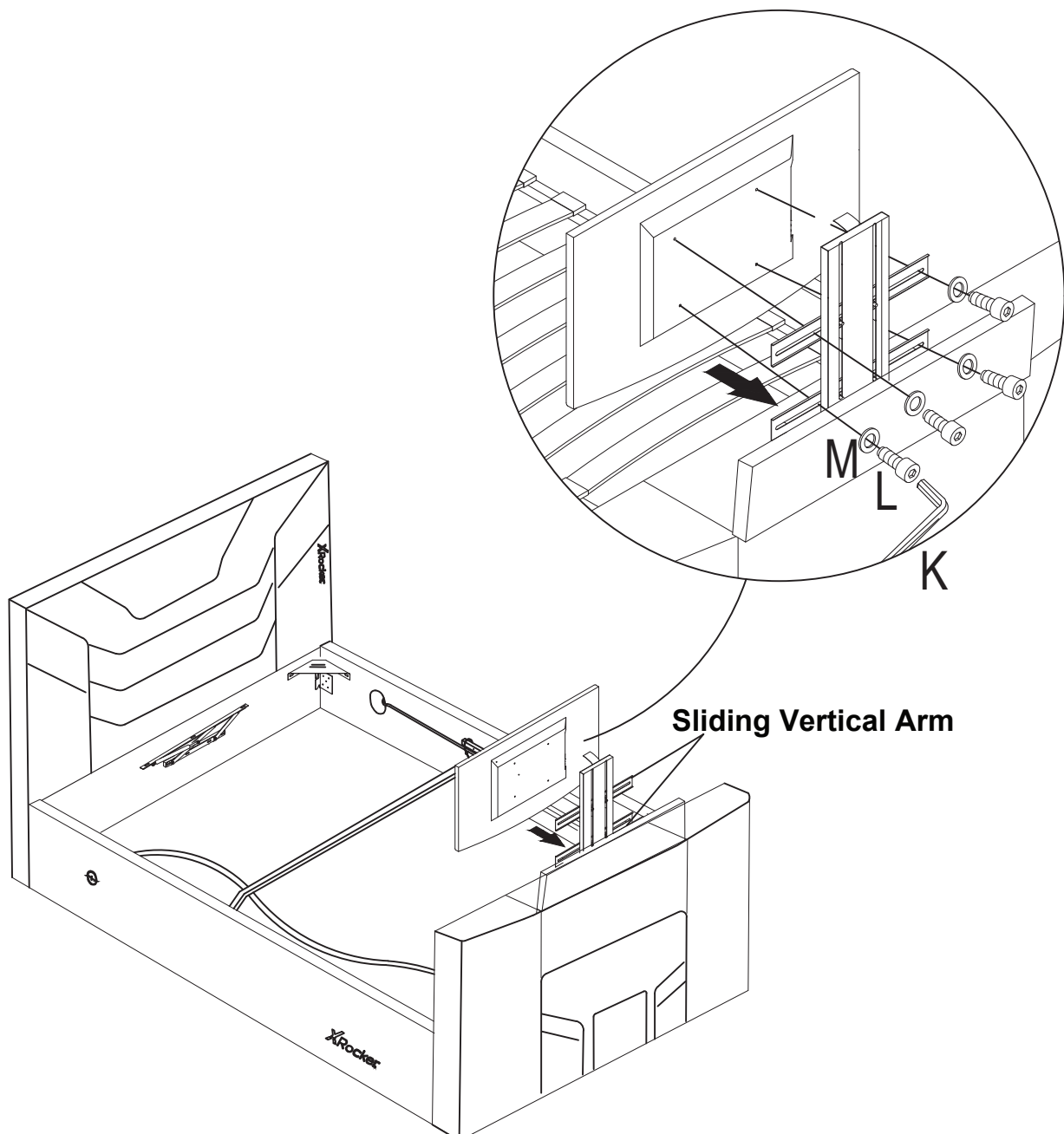
Step 6

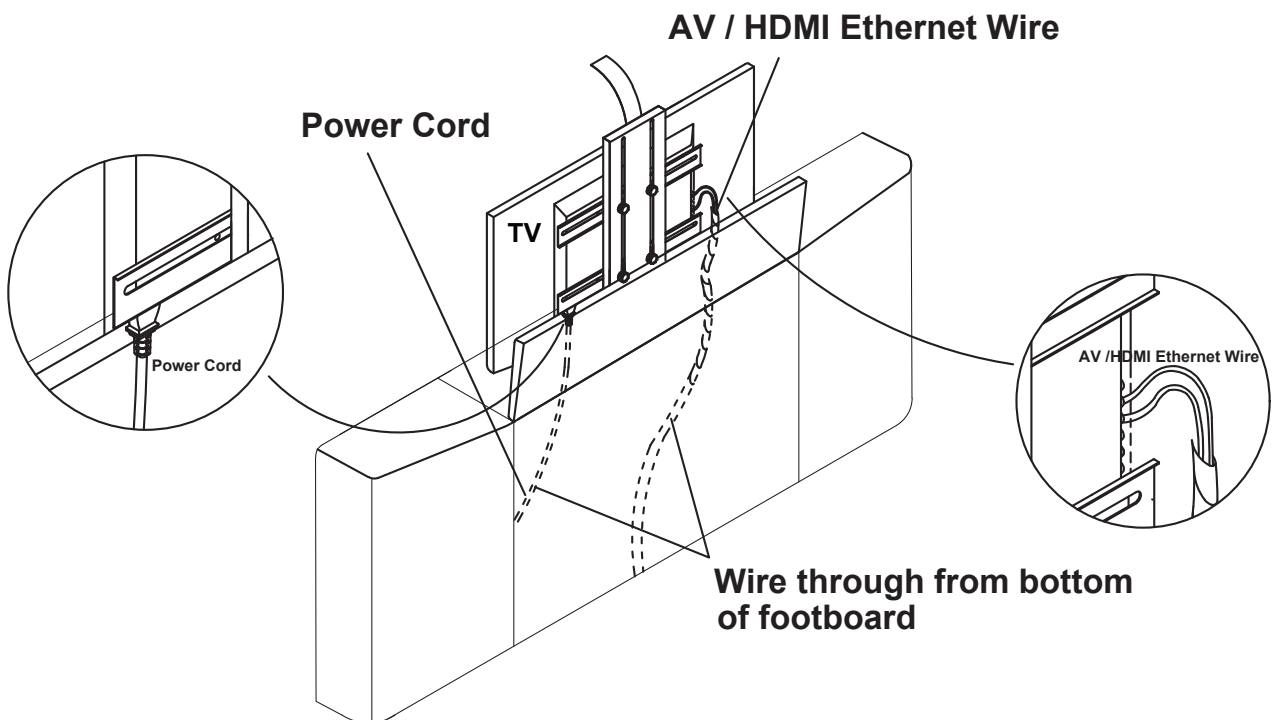
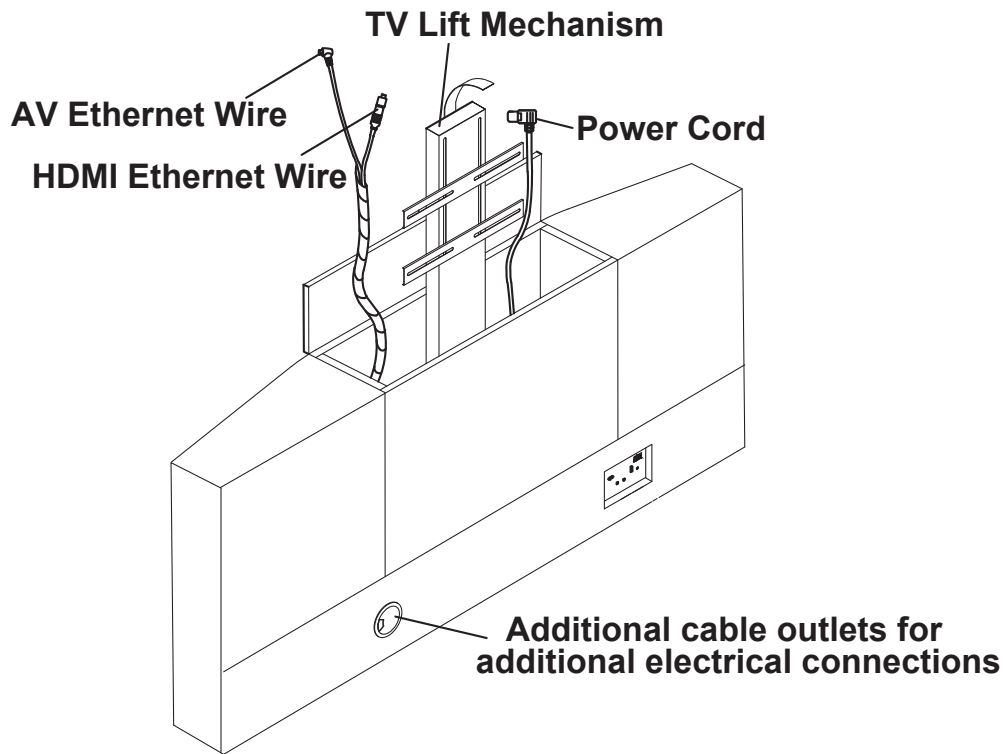
 4x 15mm M4 Bolt	 4x Flat Washer M6 x16	 1x M4 Allen Key		
---	---	--	--	--

IMPORTANT

Please ensure the bedframe is secure before fitting the TV, 2 Persons are required for this step.

- Attach TV by using the appropriate screws and adjust the sliding vertical arm to sit neatly on top of the TV.
- Before fitting your TV to bracket, please check and ensure your TV dimensions are suitable for the bed.
- TV Max Size: overall dimensions up to W750 x H450 x D60mm.
- 4 x 4mm x15mm (part L) screw are supplied for securing the TV unit to Mast bracket.
- These screws are suitable for majority of TVs. (Some model might required different size of fixing screw, this have to be obtained separately).
- Please check the manufactures manual books for details.

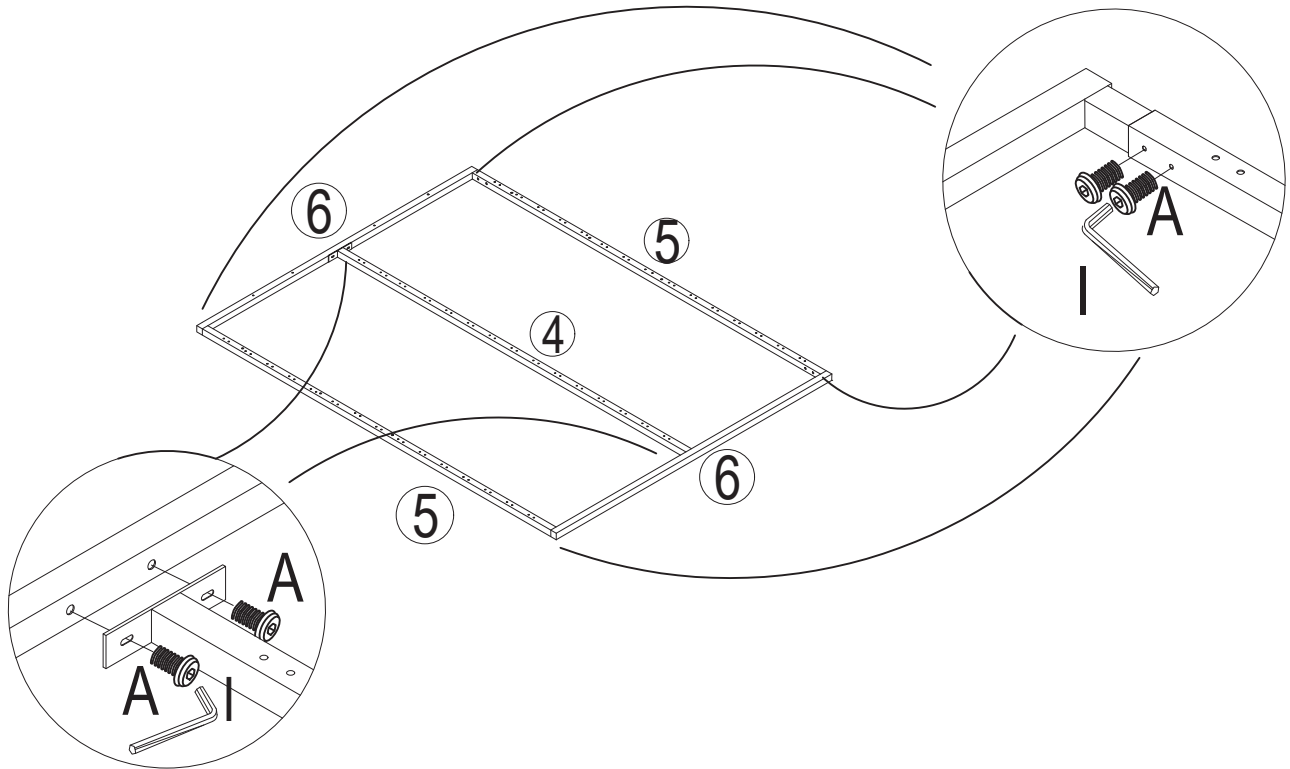






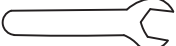


- Place the wire cable through the Cable Management Caps to prevent any damage to the wire cable (eg.other power cord) when TV Lift Mechanism is operating.
- Make sure the wire cables length are long enough to let the TV Lift Mechanism move freely.
- Please use adaptor if your TV is fitted with integral power cord wire.

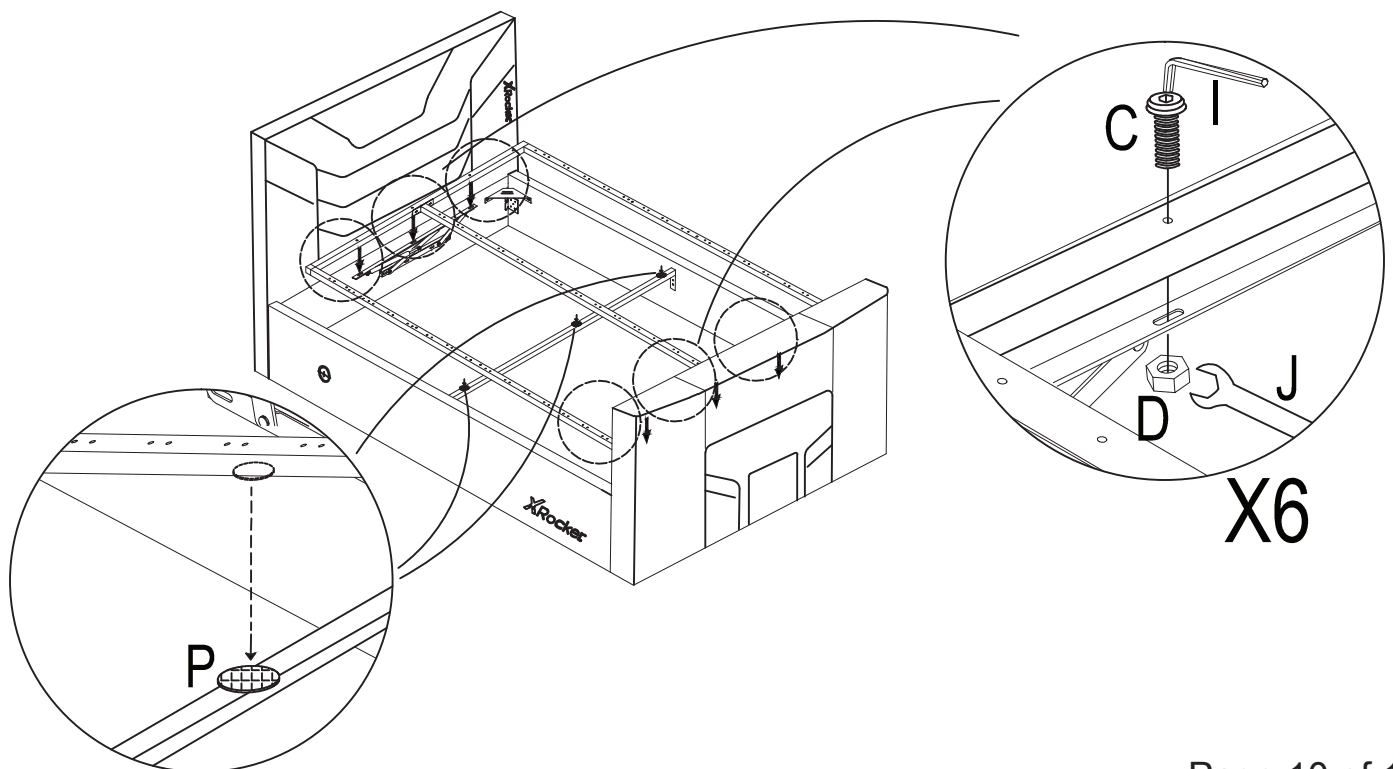
Step 7

<p>A </p> <p>12x 16mm M8 Bolt</p>	<p>I </p> <p>1x M5 Allen Key</p>			
---	--	--	--	--



Step 8

<p>C </p> <p>6x 40mm M8 Bolt</p>	<p>D </p> <p>6x NUT M8 x 13mm</p>	<p>J </p> <p>1x Spanner</p>	<p>I </p> <p>1x M5 Allen Key</p>	<p>P </p> <p>3x Felt Pad</p>
--	---	--	--	--

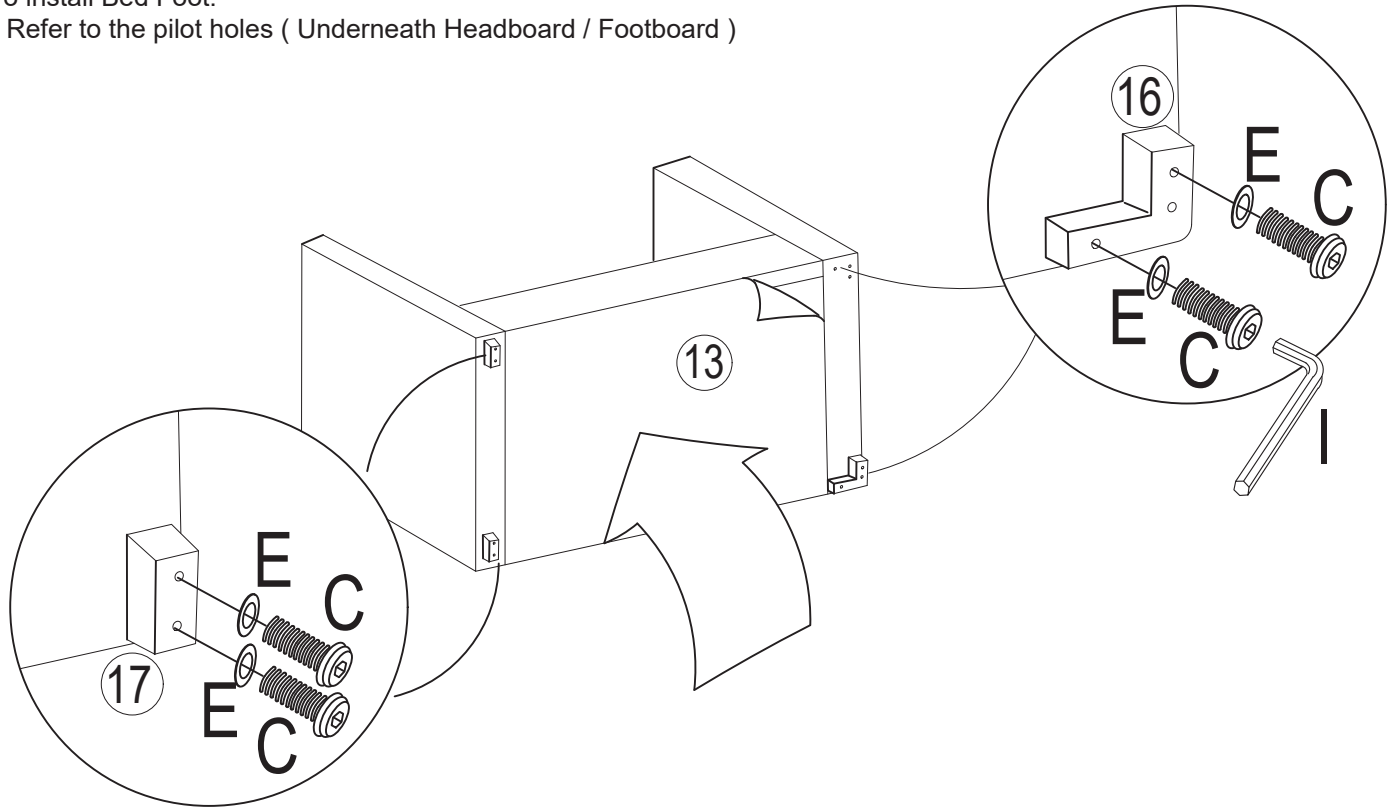


Step 9

C 8x 40mm M8 Bolt	E 8x Flat Washer M8x22	I 1x M5 Allen Key		
--------------------------------	-------------------------------------	--------------------------------	--	--

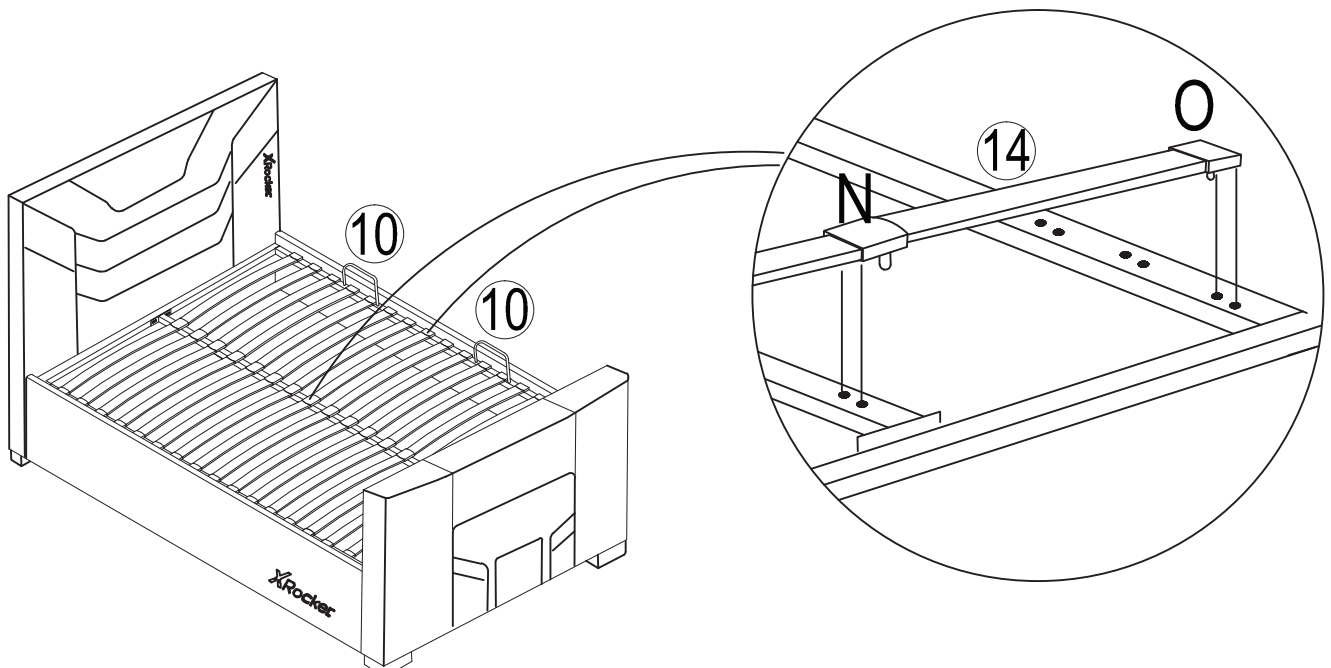
To install Bed Foot:

- Refer to the pilot holes (Underneath Headboard / Footboard)



Step 10

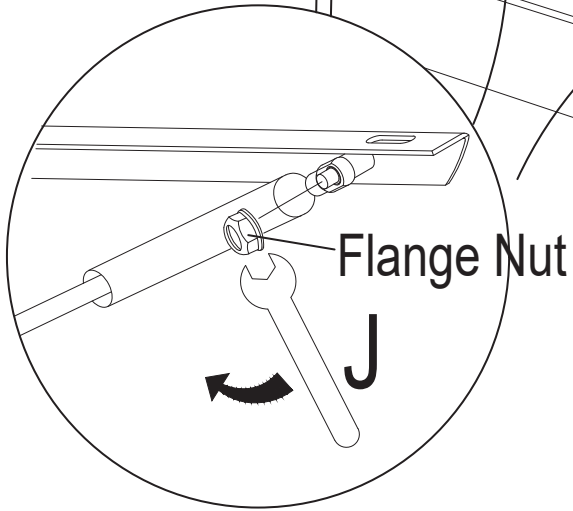
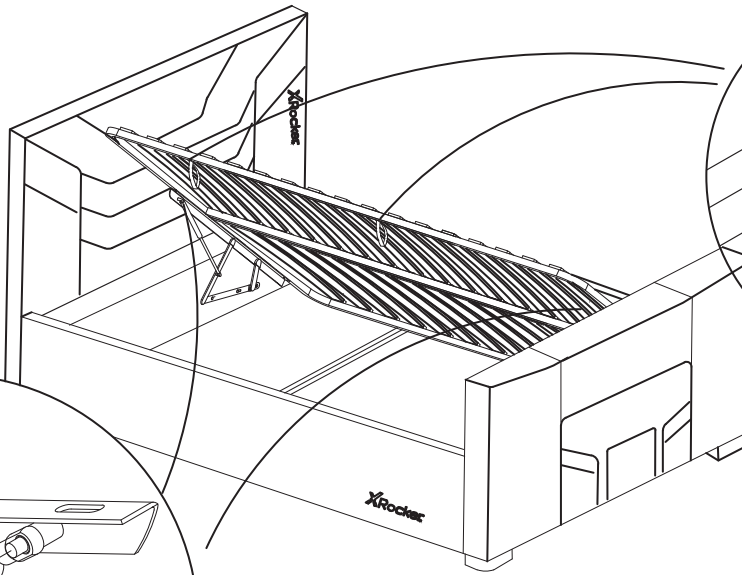
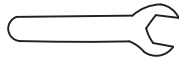
N 14x Centre Slat Cap	O 28x End Slat Cap			
------------------------------------	---------------------------------	--	--	--



Step 11

ⓐ

1x
Spanner



Secure the pneumatic lifting mechanisms on the side rail (3) into place by using flange nuts as shown.

Do not over tighten the nuts as this will stop the pneumatic arm rotating freely and could damage the mounting.