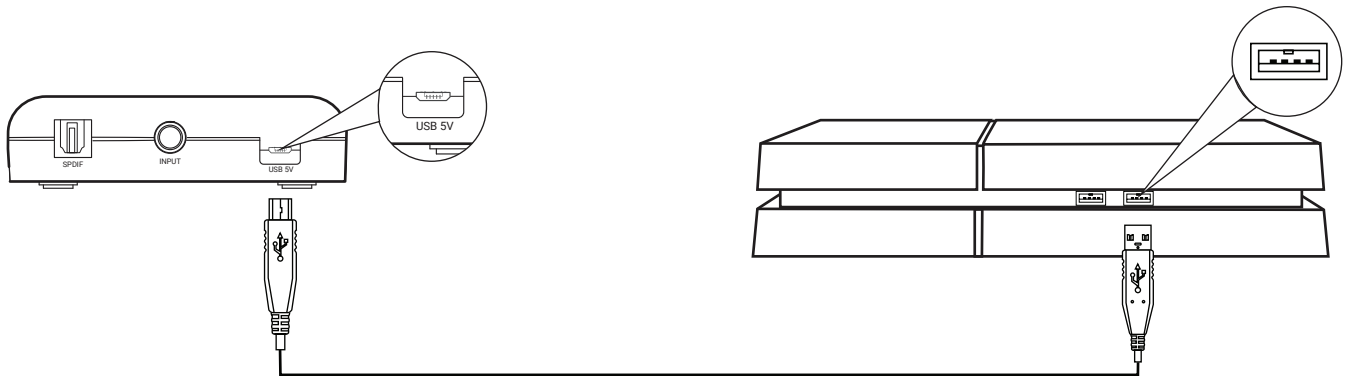


Support - Connect by USB (PS4, PS5 and Switch)

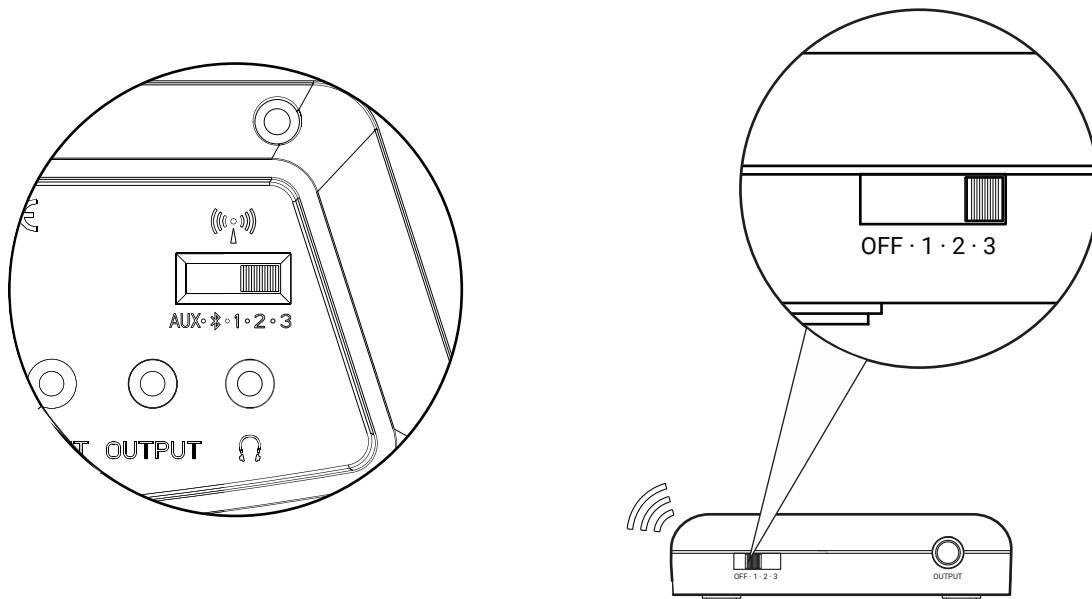
Step 1

Insert the micro USB cable into the X-Rocker DAC converter and the other end into one of the front USB ports on any PS4, PS5 or Switch system dock.



Step 2

Select one of the wireless bands (1,2,3) on the wireless DAC and then switch to the corresponding band on the chair.



Step 3

On the PS4™ menu screen select [Settings] > [Devices] > [Audio Devices] > [Output Device].

For PS5, from the menu screen, go to [Settings] > [Sound] >> [Output Device]

Step 4

Select [USB headphones] and change the setting in [Output to headphones] from [Chat audio] to [All Audio].

For Switch -

Simply Plug the transmitter into the Switch dock - set the wireless band (1,2,3) on the wireless DAC and then switch to the corresponding band on the chair and enjoy!