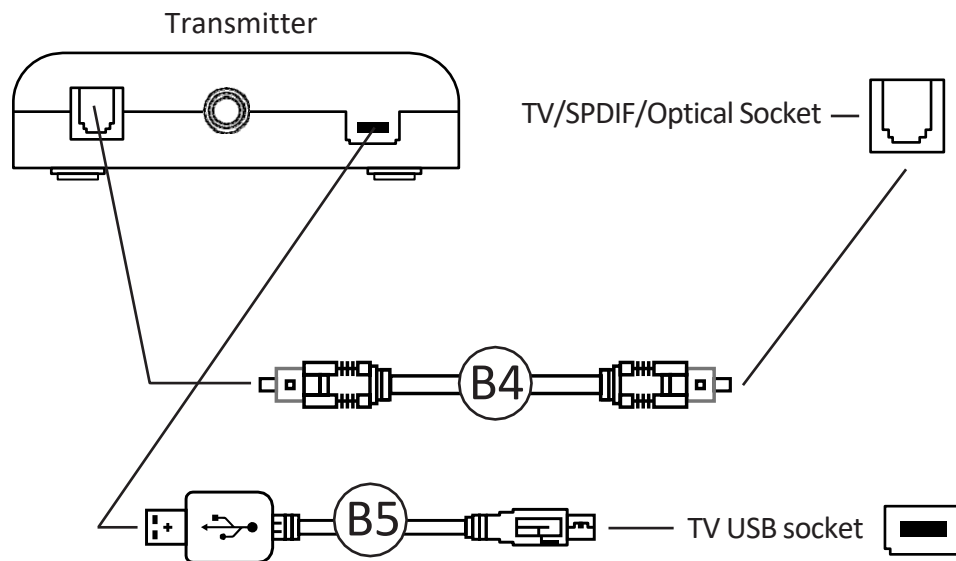


Wireless connection guide: TV (All systems)



1. Connect **B4** Optical Cable to the **B3** Wireless DAC transmitter's SPDIF Port.
2. Connect other end of **B4** Optical Cable to the TV Optical socket.
3. Connect Micro USB Cable to the transmitter and other end to an available USB socket on the TV.
4. Once connected to your TV, increase volume to 50% of the maximum for the best sound level.**

* N.B: If your TV does not feature an SPDIF or OPTICAL OUT Socket then you can instead use the 3.5mm audio connection to connect to a headphone socket.

** Depending on your TV you may need to enable the Optical output separately.