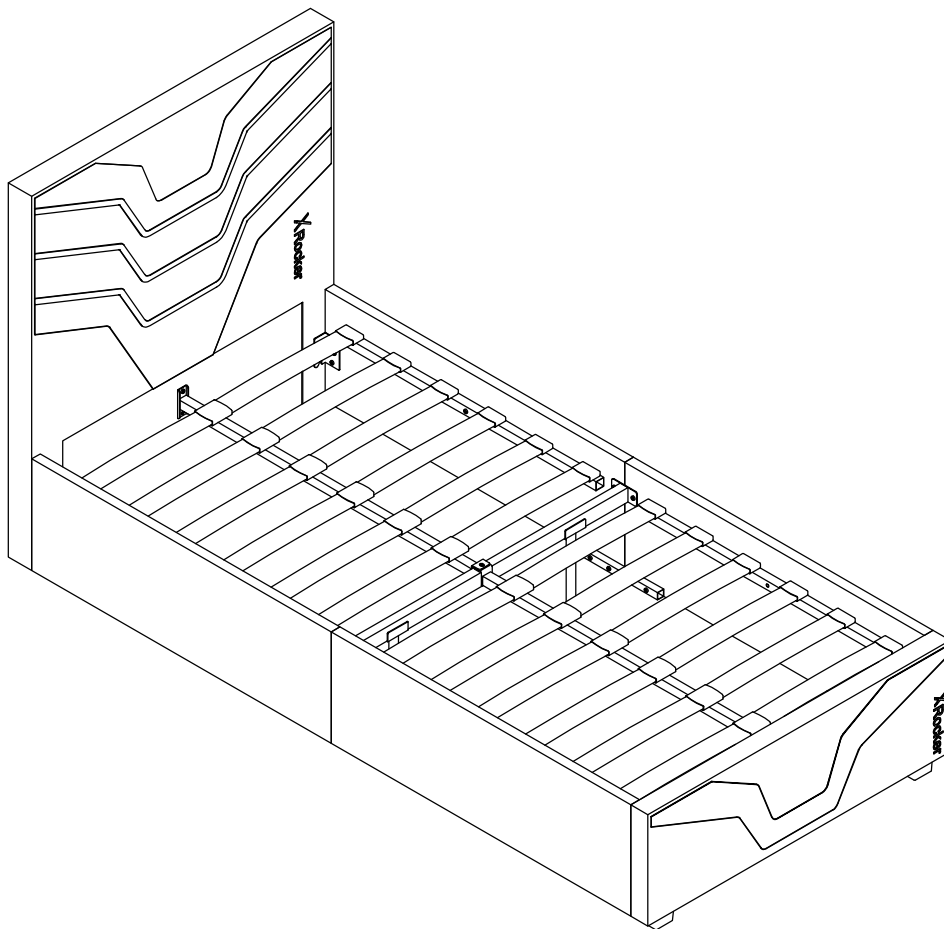


# COSMOS SINGLE BEDSTEAD

IMPORTANT – READ CAREFULLY – RETAIN FOR FUTURE REFERENCE

2020126

## XRocker.



### Dimensions

Width - 96.5cm  
Depth - 203cm  
Height - 108cm

Need Help? Contact X Rocker at :  
[www.xrockeruk.com/pages/support](http://www.xrockeruk.com/pages/support)

**IMPORTANT:** You must keep your original retail receipt as proof of purchase.



## Safety and Care Advice

**Important** - Please read these instructions fully before starting assembly

- Check you have all the components and tools listed on the following pages.
- Remove all fittings from the plastic bags and separate them into their groups.
- Keep children and animals away from the work area, small parts could choke if swallowed.
- Parts of the assembly will be easier with 2 people.
- Make sure you have enough space to layout the parts before starting.
- Assemble the item as close to its final position (in the same room) as possible.
- Dispose of all packaging carefully and responsibly.
- Place the product on flat and steady surface during use.
- Assemble on a soft level surface to avoid damaging the unit or your floor.
- Keep these instructions for further use.
- To ensure an easier assembly we strongly advise that all fittings are only finger tightened during initial assembly. Only upon completion of the assembly should all fixing points be fully tightened.

### Care and maintenance

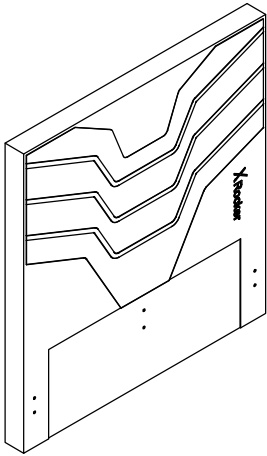
- Only clean using a damp cloth and mild detergent, do not use bleach or abrasive cleaners.
- From time to time check that there are no loose screws on this unit.
- This product should not be discarded with household waste. Take to your local authority waste disposal center.

### Handy Hints

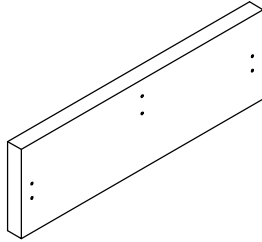
- Assemble all parts and bolts loosely during assembly, only once the product is complete should you fully tighten the bolts
- Regularly check and ensure that all bolts and fittings are tightened properly.

# Components - Panels

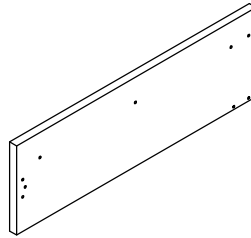
Please check you have all the panels listed below



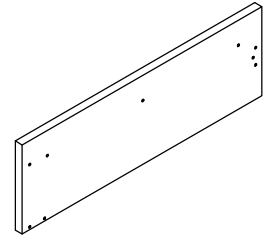
**1** Headboard x1



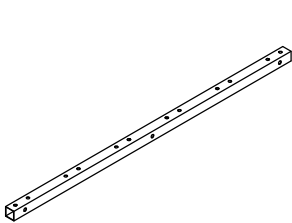
**2** Footboard x1



**3** Side Panel x2



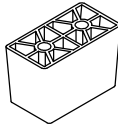
**4** Side Panel x2



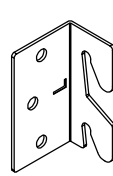
**5** Side Rail x4



**6** Support Leg x2



**7** Leg x4



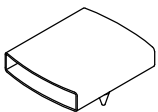
**9** Bracket x2



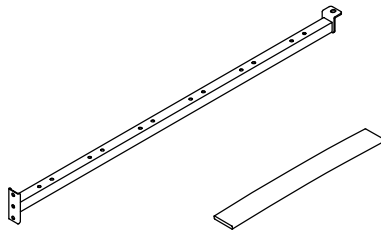
**10** Bracket x2



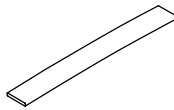
**11** Single Slat Cap x24



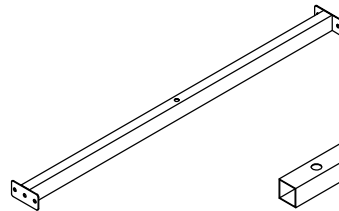
**12** Double Slat Cap x12



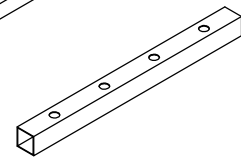
**13** Center Rail x2



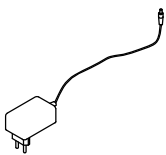
**14** Wooden Slats x24



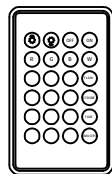
**15** Center Rail x1



**17** Side Rail x2



**37** LED Driver x1


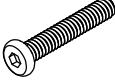
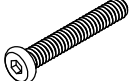
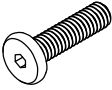
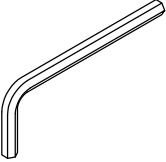


**38** Remote x1

# Components - Fittings

Please check you have all the panels listed below

**Note:** The quantities below are the correct amount to complete the assembly. In some cases more fittings may be supplied are required.

<p><b>A</b></p>  <p>20mm M6 Bolt x 28</p>	<p><b>B</b></p>  <p>35mm M6 Bolt x 12</p>	<p><b>C</b></p>  <p>40mm M6 Bolt x 20</p>
<p><b>D</b></p>  <p>30mm M8 Bolt x 1</p>	<p><b>E</b></p>  <p>Allen Key x 1</p>	

## Tools required



Ruler/tape  
measure

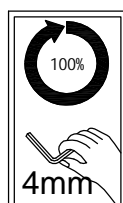
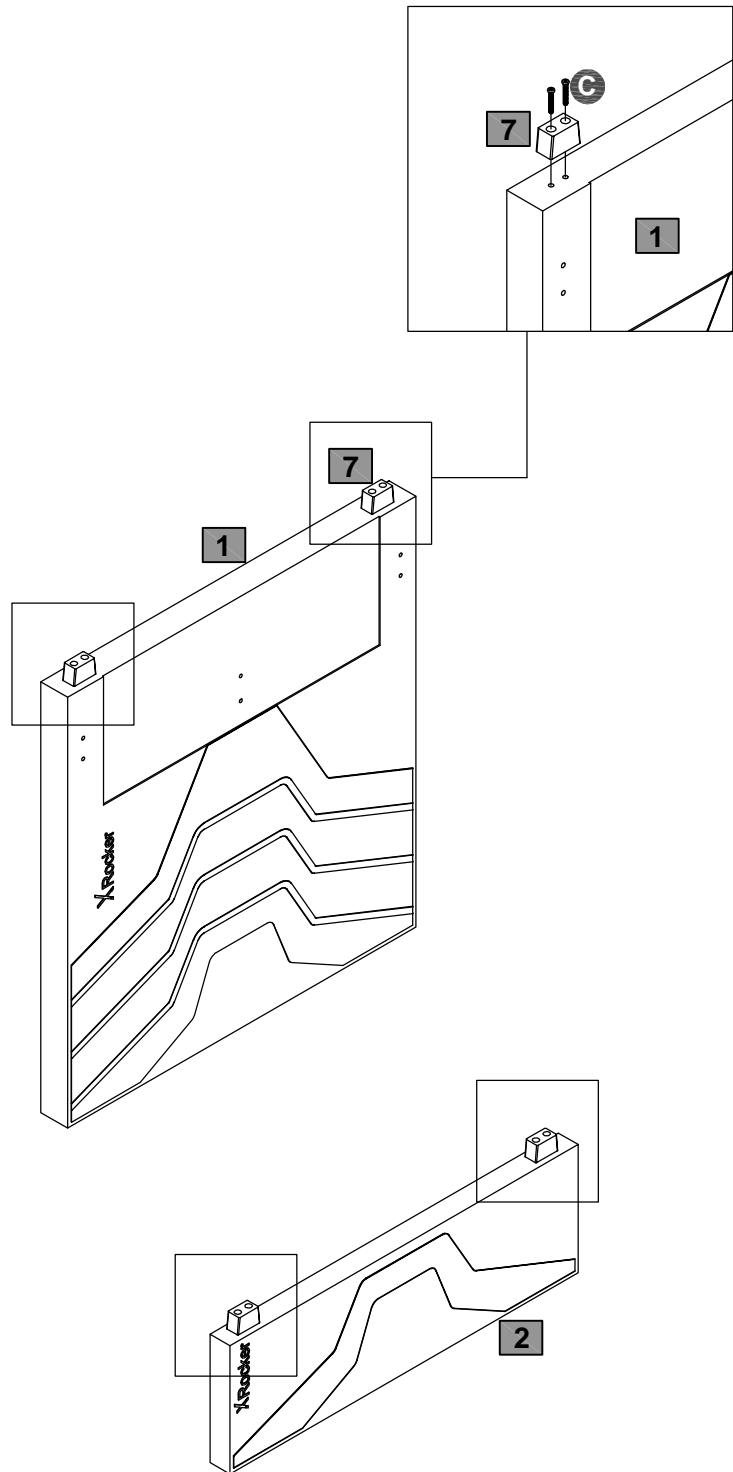
Ruler - User this ruler to help correctly identify the screws

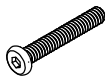



# Assembly Instructions

## Step 1

Attach **7** to **1** and **2** with **C**.

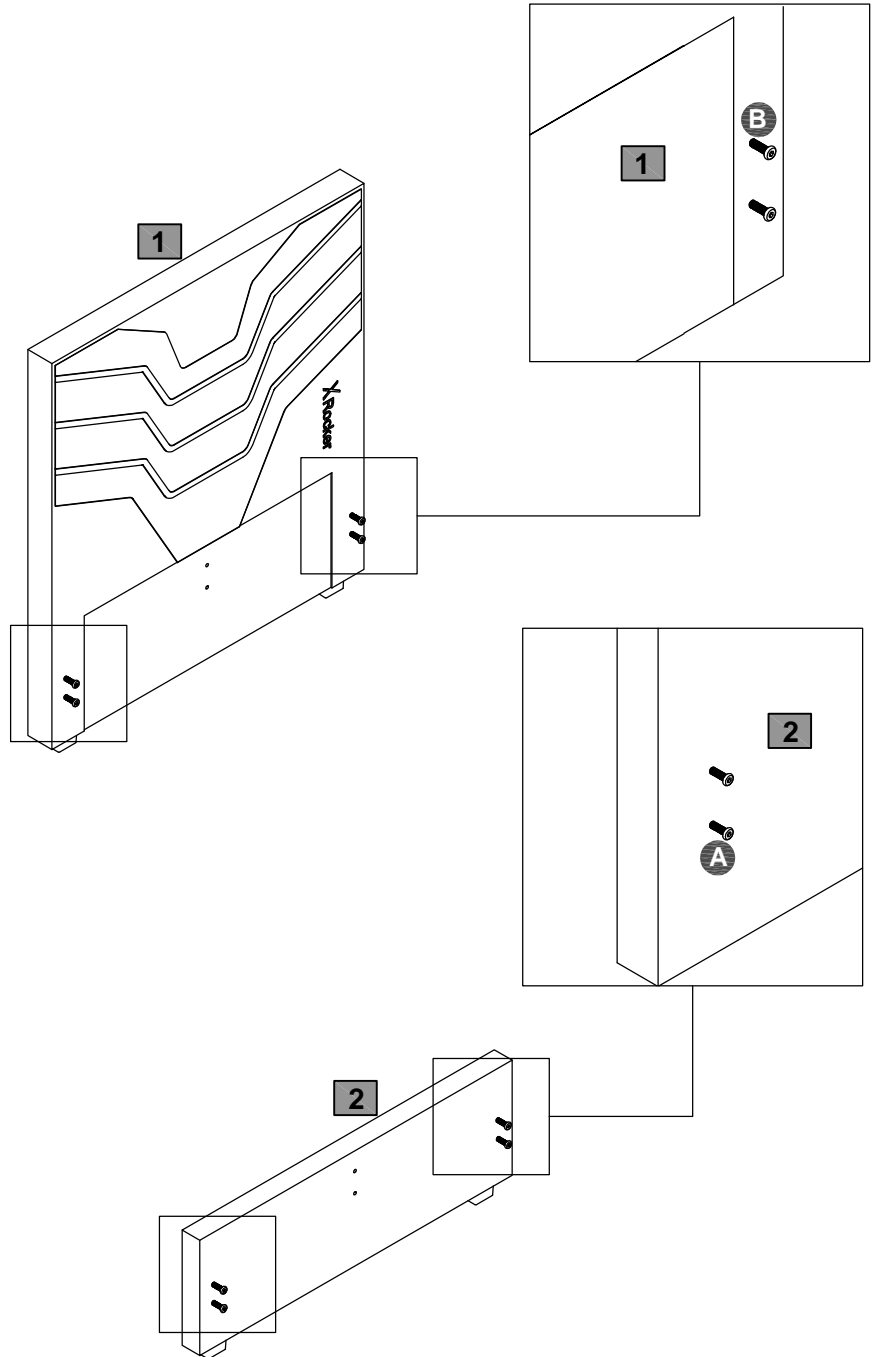



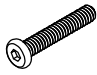

	
40mm M6 Bolt	E x1
C x8	

# Assembly Instructions

## Step 2

Screw **B** into **1** and **A** into **2**, leave half of the thread exposed.



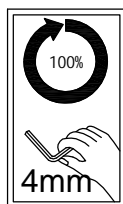
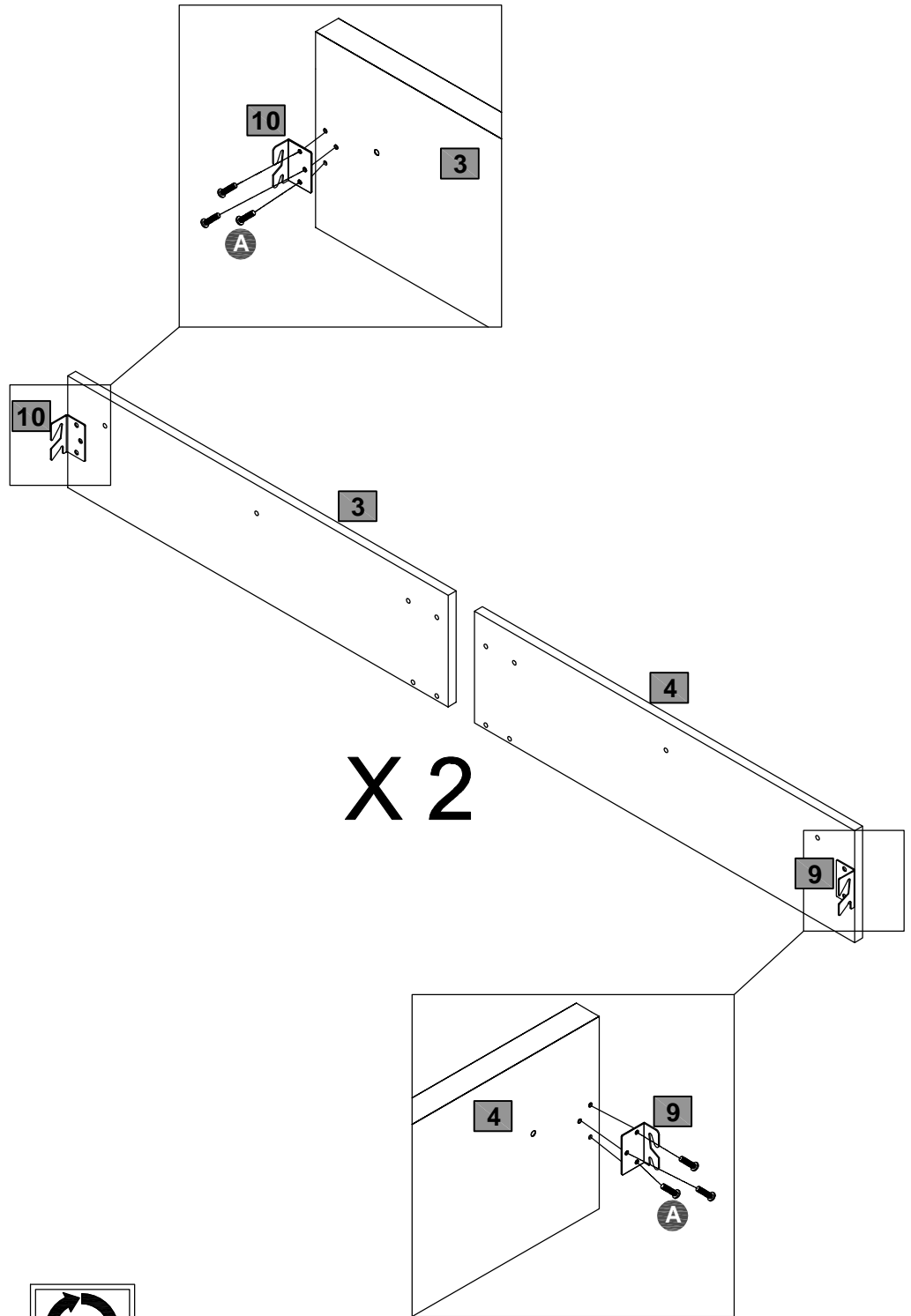
		
20mm M6 Bolt	35mm M6 Bolt	
A x4	B x4	E x1



# Assembly Instructions

## Step 3

Attach **10** to **3** with **A**.

Attach **9** to **4** with **A**.

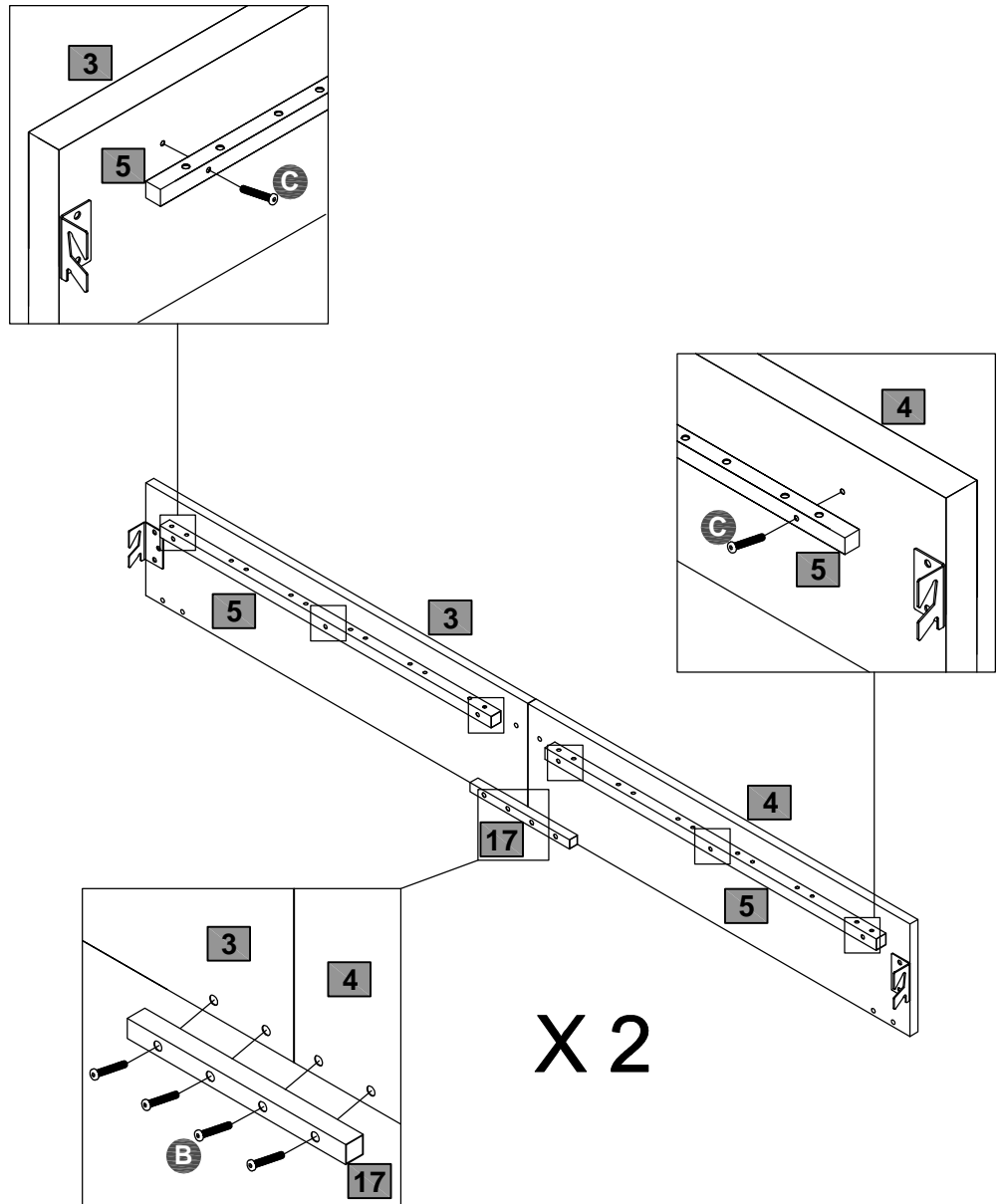


	
20mm M6 Bolt	A x12
	E x1

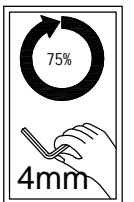
# Assembly Instructions

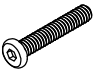
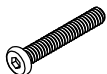

## Step 4

Attach **5** to **3** and **4** with **C**.  
Attach **17** to **3** and **4** with **B**.



X 2



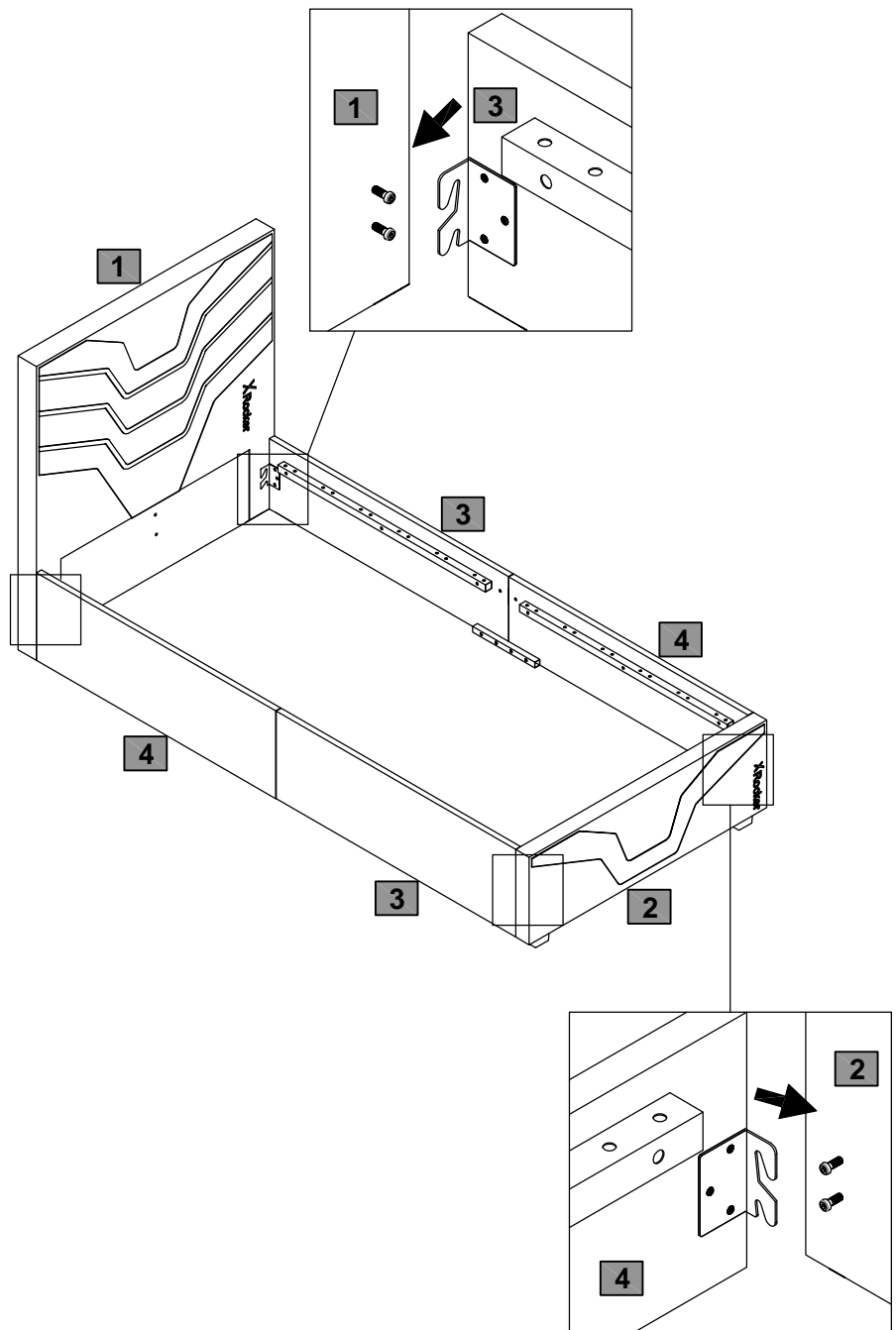
		
35mm M6 Bolt	40mm M6 Bolt	E x1
B x8	C x12	



# Assembly Instructions

## Step 5

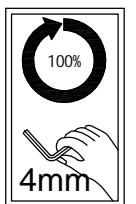
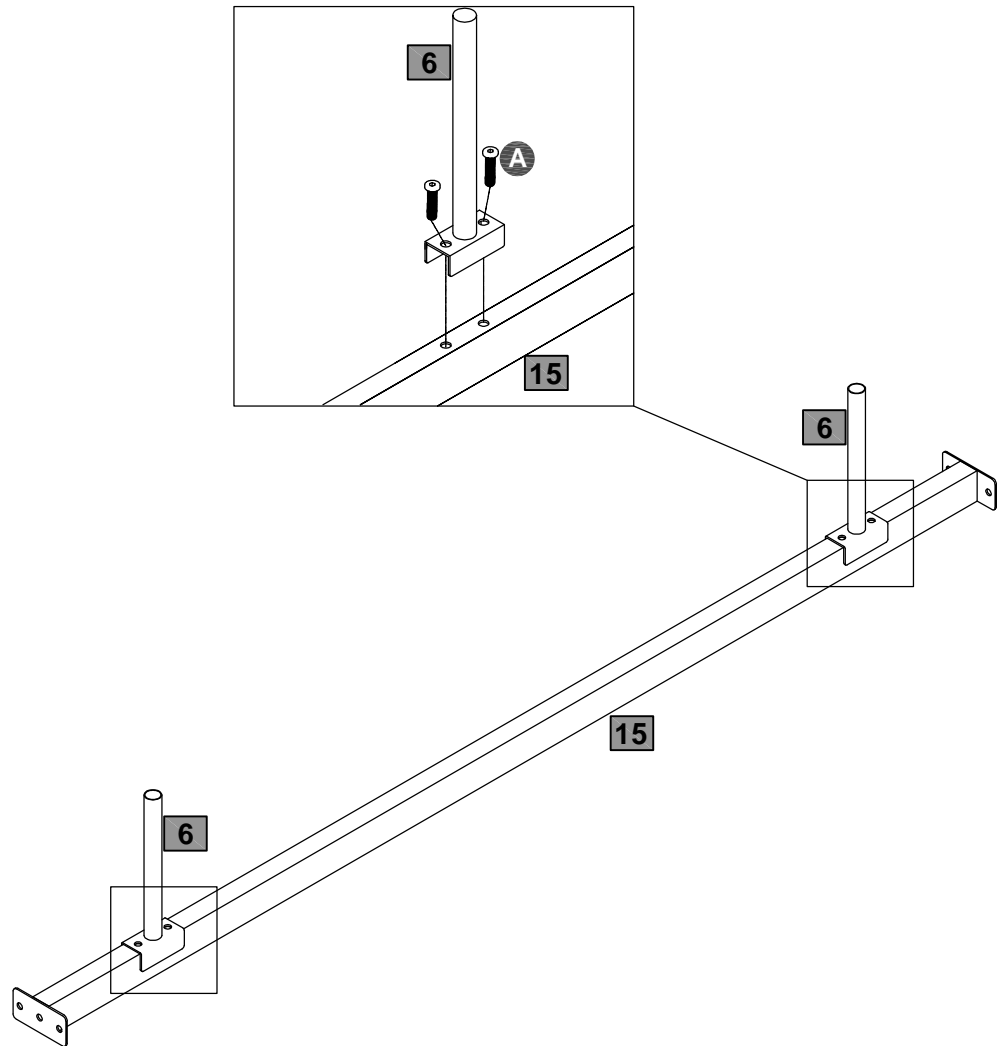
Hang sub-assembly **3** and **4** on **1** and **2** as illustrated, don't completely tighten the bolts until **STEP 8** is complete.





# Assembly Instructions

## Step 6

Attach **6** to **15** with **A**.

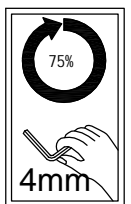
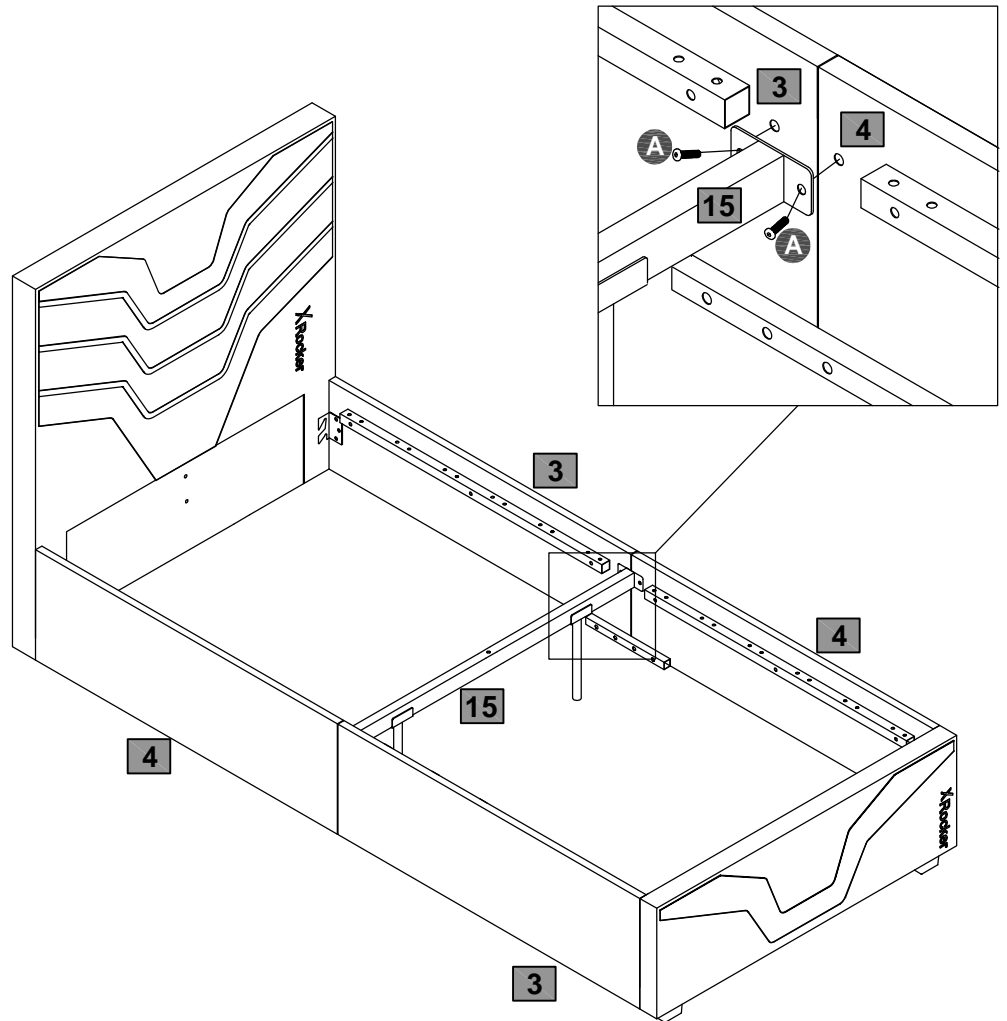




	
20mm M6 Bolt	A x4
	E x1

# Assembly Instructions

## Step 7

Attach **15** to **3** and **4** with **A**.



	
20mm M6 Bolt	A x4
	E x1

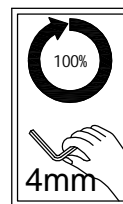
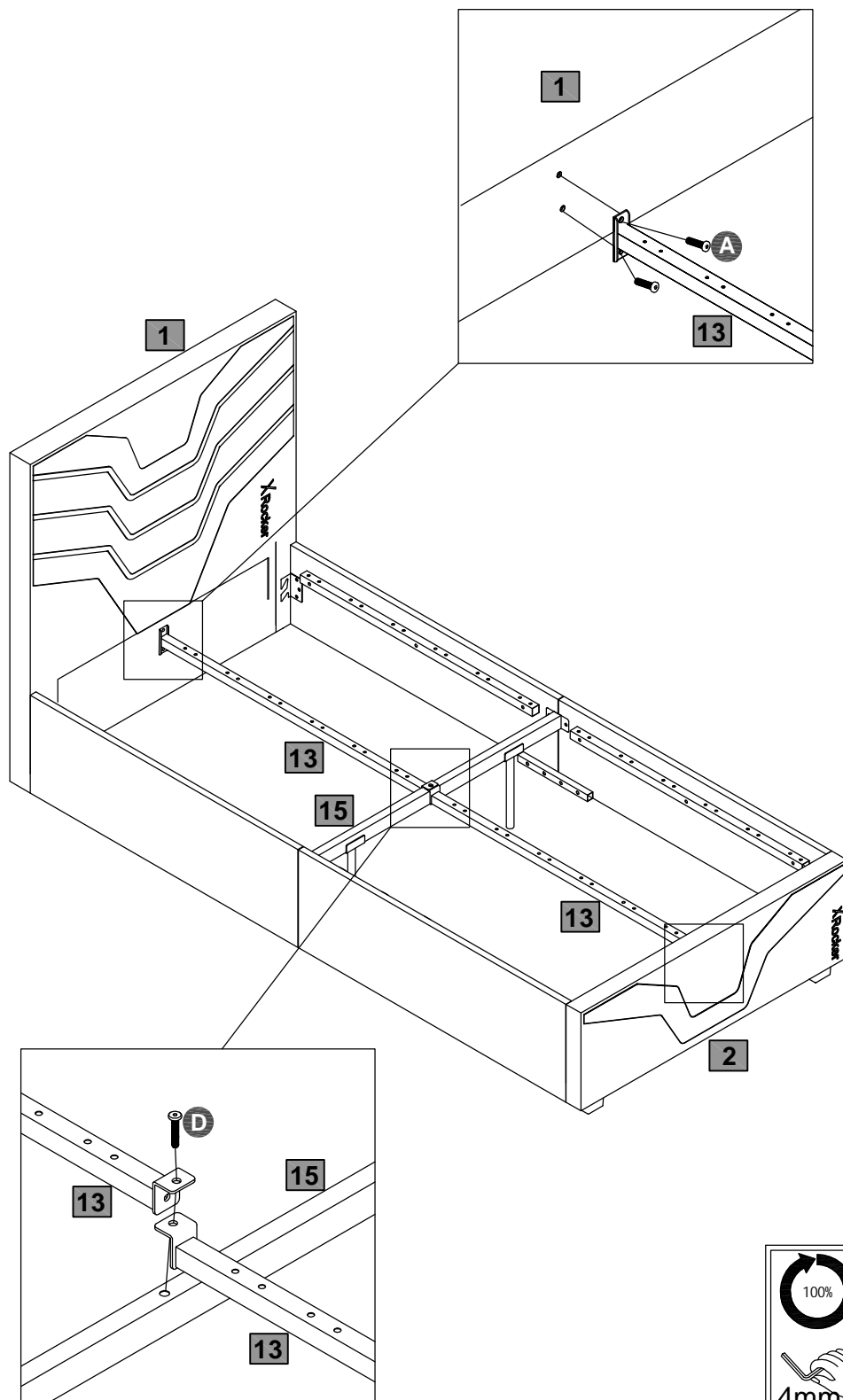
# Assembly Instructions

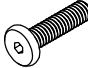

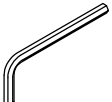
## Step 8

Attach **13** to **1** and **2** with **A**.

Attach **13** to **15** with **D**.

Then properly tighten all the bolts.



		
30mm M8 Bolt	D x1	A x4
		E x1

# Assembly Instructions

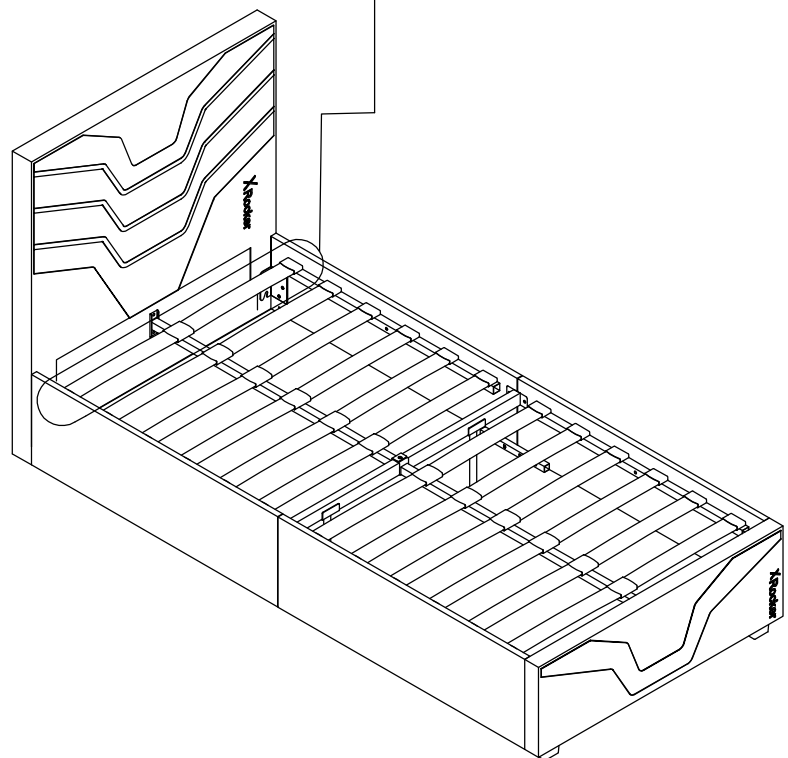
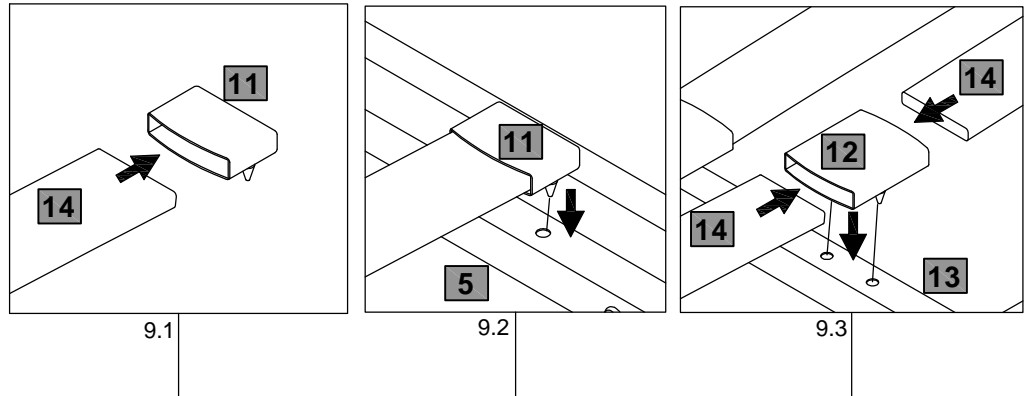
## Step 9

**9.1** Insert **14** into **11**,

**9.2** Press **11** into **5**, repeat the same procedure for the opposite side of the bed with a new **14** and **11**.

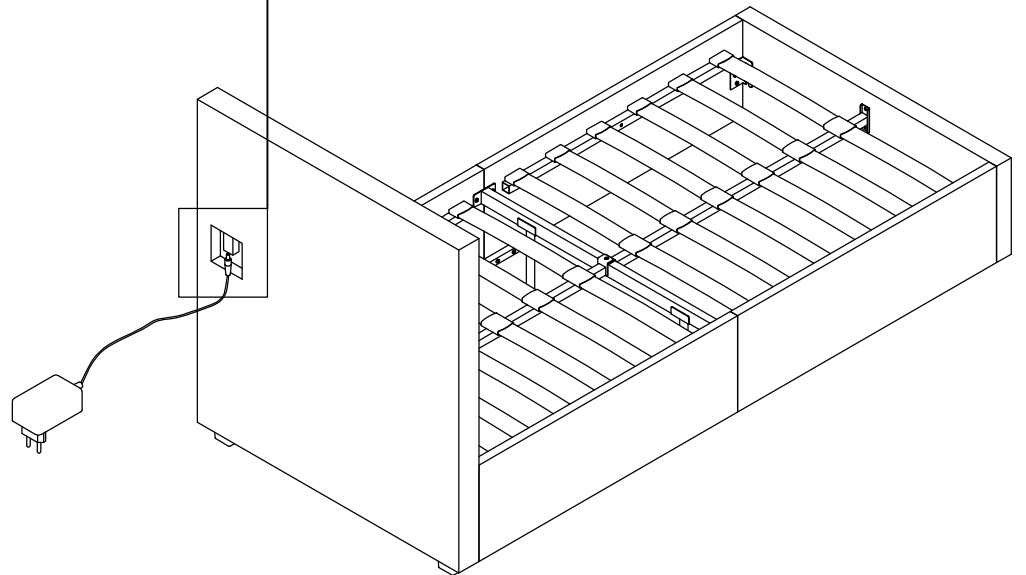
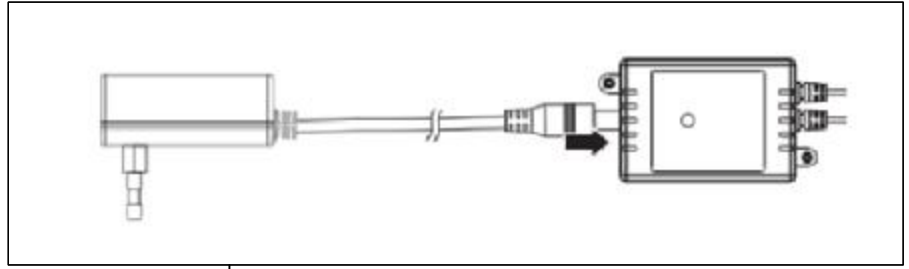
**9.3** Insert ends of both slats **14** into **12**, then press **12** into **13** as illustrated.

Repeat the same procedures going backwards for every row of slats.



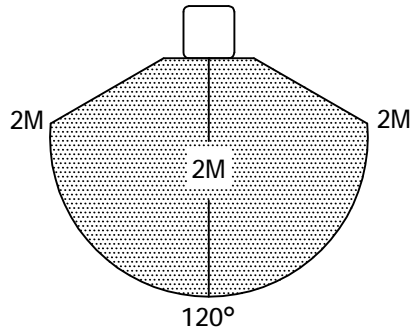
# Assembly Instructions

## Step 10



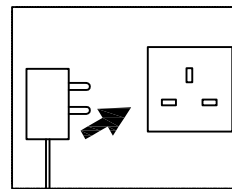
# Assembly Instructions

## Step 11

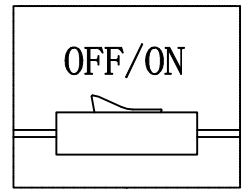


When using LED:

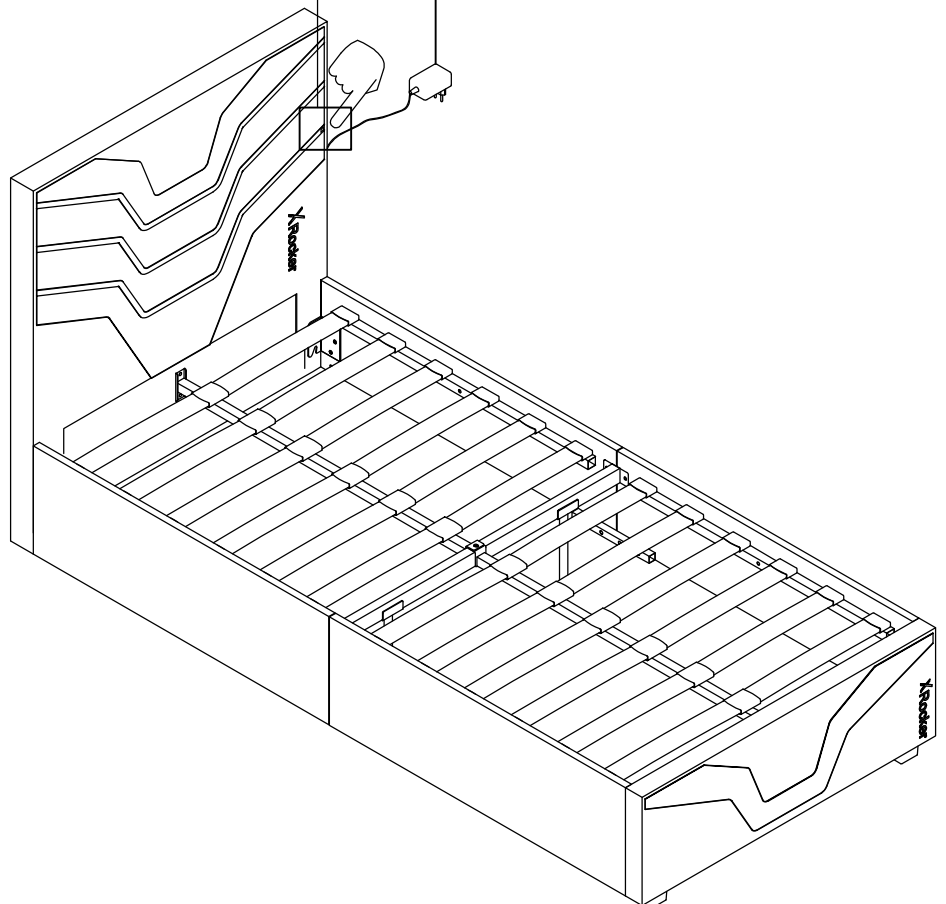
1. Point to the signal receiver with remote controller.
2. Get a good signal within 2 meters.



11.1



11.2



## RGB LED 'Neo Motion' Lighting Instructions

### Safety notes

- The user of the Neo Motion LED must have read and understood these operating instructions prior to its first use in order to safely use this product.
- The LEDs must only be used when they functions properly. If the LEDs or part of the LEDs are defective, please contact your retailer for advice and cease to use the lighting function.
- Always keep the operating instructions within reach.
- If you sell or pass on the device, you must also pass on these operating instructions.
- Never use the LED function in a room where there is a danger of explosion or in the vicinity of flammable liquids or gases.
- The LEDs may only be connected to a grounded socket which has been installed professionally, is grounded and checked.
- Main power voltage and fuse must meet the Technical data specifications.
- If the power cable or the device is damaged immediately turn off the plug and pull out the plug. Do not use the Cable again and dispose of it properly.
- Do not bend, crush or pull the cable, protect from sharp edges, oil and heat.
- If the LEDs are not in use make sure the plug is pulled out.
- Do not touch the power connector with wet hands! Always unplug by pulling the connector, not the cable.
- Do not lift the bed using the cable or use the cable for purposes other than intended.
- The power cable may not be shortened.



Risk of damage to the eyes! Never look directly into the LED.



The light can only be used in dry indoor areas.



Not suitable for ordinary lighting in household room illumination

Button	Function
(1)	Increases the brightness upwards.
(2)	Reduces the brightness downwards.
(3)	Switches the LEDs off.
(4)	Switches the LEDs on.
(5)–(8)	Changes between the colours red, green, blue and white.
9)	Changes colours quickly without blending.
(10)	Changes colours slowly without blending.
(11)	Changes all colours blending the transmissions.
(12)	Changes colours without visible blending.
(13)	Switches to any selected colour.

## Storage and transport

### Storing

- Store the device and any accessories in a dry, wellventilated place.
- In case of longer periods without operation, protect the LEDs and its accessories against soiling and corrosion.

## Disposing of the packaging

### Transport

- Use the original packaging to ship whenever possible.

## Troubleshooting

### If something stops working...



**DANGER! Danger to life and limb!** Improper repairs can result in the product functioning unsafely. This endangers yourself and your environment.



**DANGER! Risk of fatal injury due to electric shock!** All work to eliminate possible faults should be carried out with the fuse switched off. All work should be carried out by a qualified electrician.

Malfunctions are often caused by minor faults. You can easily remedy most of these yourself. Please consult the following table before contacting the vendor. You will save yourself a lot of trouble and possibly money too.

Fault/malfunction	Cause	Remedy
The lamp does not light up	No mains voltage?	Check fuse. Contact a specialist.
	Light source defective?	Contact our help desk for support
	LED Lights switched on via switch?	Check switch position
	Switch defective?	Contact a specialist.
	Connection cable defective?	Contact a specialist.
Incorrect connection?	Switch off the fuse and check the connection according to the wiring diagram. Contact a specialist.	

If you can't fix the fault yourself, contact X Rocker support. Please be aware that any improper repairs will also invalidate the warranty and additional costs may be incurred.

### Disposal

#### Disposing of the device

A crossed-out wheellie bin icon means: Batteries and rechargeable batteries, electrical or electronic devices must not be disposed of with household waste. They may contain substances that are harmful to the environment and human health.



Consumers must dispose of waste electrical devices, spent portable batteries and rechargeable batteries separately from household waste at an official collection point to ensure that these items are processed correctly. Information on returning these items is available from the seller. Sellers are required to accept these items free of charge.

Batteries and rechargeable batteries, which are not permanently installed in waste electrical devices, must be removed prior to disposal and must be disposed of separately. Lithium batteries and battery packs in all systems must only be returned to a collection point when discharged. Batteries must always be protected against short circuits by covering the poles with adhesive tape.



All end users are responsible for deleting any personal data stored on waste devices prior to their disposal.

### Disposal of batteries

Disused batteries do not belong in domestic refuse; they must be disposed of as prescribed by regulations.

- Bring batteries which are no longer usable to the battery collection point of the dealer or of your local authority.
- Do not burn batteries. Risk of explosion!



The packaging consists of cardboard and marked plastics that can be recycled.

– Take these materials to a recycling centre.



## Technical data

<b>Article number</b>	<b>LS8837-3.75M</b>
Dimensions	1250x10mm(x3)
LEDs	225xLED 5050
Capacity	22W
Protection class	III
Degree of protection	IP20
Operating temperature	-20 to +60°C
LED controller	
Rated voltage	12VDC
Mains adapter	
Rated voltage	220-240V~, 50/60Hz
Capacity	24W
Protection class	II
Remote control	
Range	max.5m
Batteries	1xCR2025,3V

EN

1. The bed can only be used with the supplied adapter. The external flexible cable of this transformer cannot be replaced. If the cord is damaged, the transformer should be discarded.
2. Do not expose the adapter to rain or moisture. Use the adapter indoors only to avoid the risk of electric shock or fire. The adapter must not be used by children or by invalids without supervision.
3. Do not disassemble the adapter. Unplug the adapter if it is not being used. Use the adapter in a ventilated room. If the adapter cable is damaged, it should be discarded.
4. Do not try to power the LEDs using your own or any other type of adaptor as doing so may result in the blowing out of the LEDs and failure to work. This will invalidate your warranty.
5. This product should be used by children from 8 years old. It is strongly advised that adults supervise all minors in the correct use of this product at all times to ensure minors are always free from harm and danger. Children should not use the device as a toy. Cleaning and user maintenance must not be carried out by children.

**REMEMBER - IF YOU ARE AT ALL UNSURE OR NEED SUPPORT OR TECHNICAL ADVICE, PLEASE CONTACT XROCKER OR YOUR RETAILER**

**YOU CAN ASK FOR HELP HERE:**

**[WWW.XROCKERUK.COM/PAGES/SUPPORT](http://WWW.XROCKERUK.COM/PAGES/SUPPORT)**

