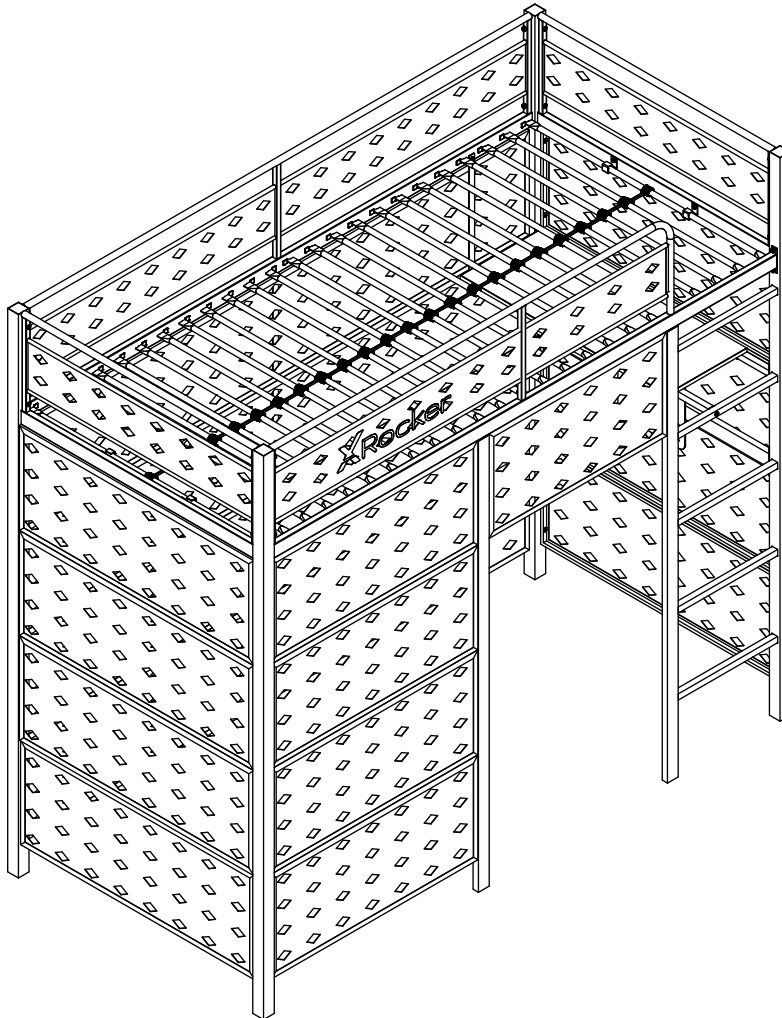


# BATTLE DEN GAMING BUNK BED

IMPORTANT - READ CAREFULLY - RETAIN FOR FUTURE REFERENCE

## XRocker.



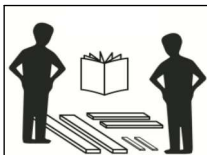
### Dimensions

Width - 197.5cm

Depth - 96cm

Height - 183cm

2 Person assembly recommended



Please assemble in the same room where the product will be used

**Need Help ? Contact X Rocker at :**  
**[www.xrockeruk.com/pages/support](http://www.xrockeruk.com/pages/support)**

**IMPORTANT: You must keep your original retail receipt as proof of purchase.**



# Safety and Care Advice

## Important - Please read these instructions fully before starting assembly

- Check you have all the components and tools listed on the following pages.
- Remove all fittings from the plastic bags and separate them into their groups.
- Keep children and animals away from the work area. Small parts may cause a choking hazard.
- Parts of the assembly will be easier with 2 people.
- Make sure you have enough space to layout the parts before starting.
- Assemble the item as close to its final position (in the same room) as possible.
- Dispose of all packaging carefully and responsibly.
- Place the product on flat and steady surface during use.
- Assemble on a soft level surface to avoid damaging the unit or your floor.
- Keep these instructions for further use.
- To ensure an easier assembly we strongly advise that all fittings are only finger tightened during initial assembly. Only upon completion of the assembly should all fixing points be fully tightened.

## Care and maintenance

- Only clean using a damp cloth and mild detergent, do not use bleach or abrasive cleaners.
- From time to time check that there are no loose screws on this unit.
- This product should not be discarded with household waste. Take to your local authority waste disposal center.

## Handy Hints

- Assemble all parts and bolts loosely during assembly, only once the product is complete should you fully tighten the bolts
- Regularly check and ensure that all bolts and fittings are tightened properly.



# Safety and Care Advice

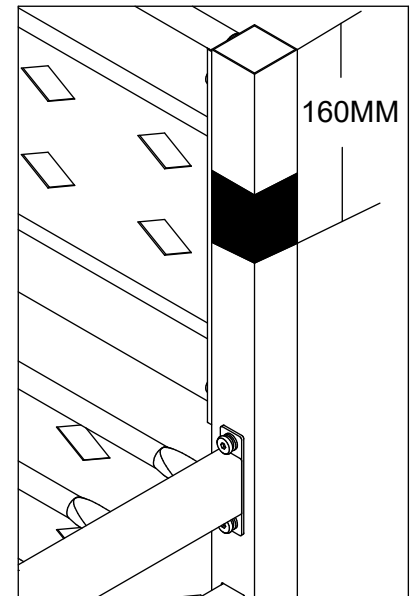
Important - Please read these instructions fully before starting assembly



Important: Please note the maximum mattress height is indicated on the vertical bar on the left hand side of the opening at the top of the ladder.

This is legal requirement and it is vital that the mattress do not exceed this mark.

Note: The maximum thickness of the mattress is 160 mm.

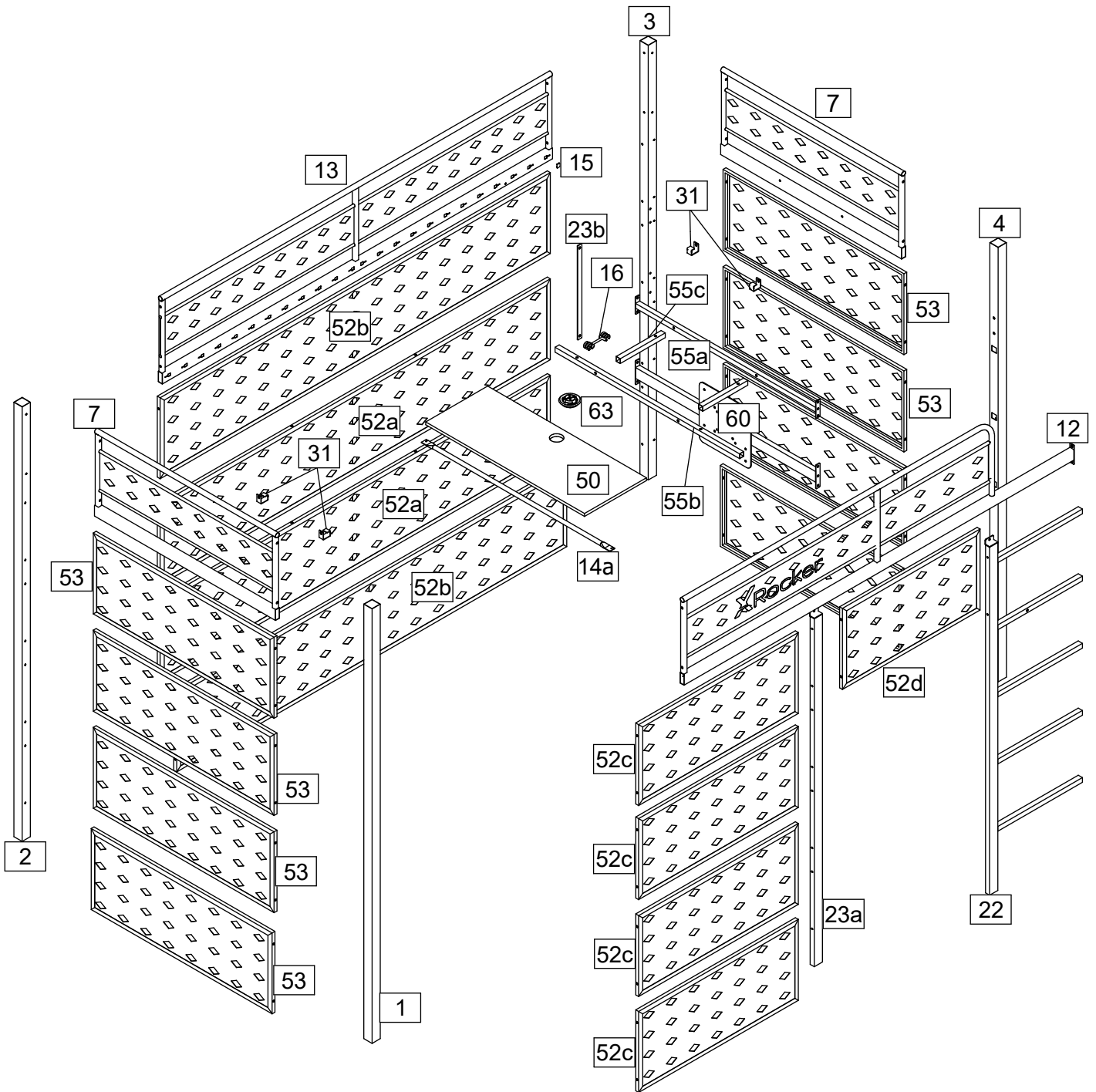


This bunk bed conforms to BS EN 747-1 & -2:2024

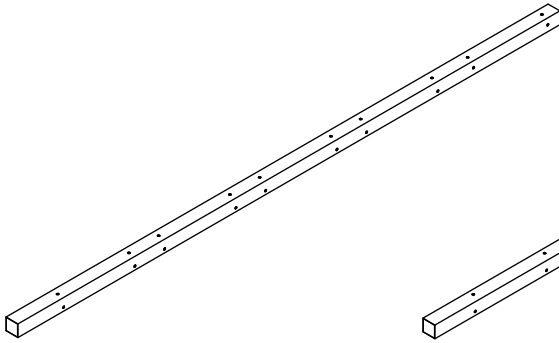
## DO NOT REMOVE THE LABEL FROM THE BED

- a) **WARNING** "High beds and the upper bed of bunk beds not suitable for children under six years due to the risk of injury from falls":
- b) **WARNING** "Bunk beds / high beds can present a serious risk of injury from strangulation if not used correctly. Never attach or hang items to any part of the bunk bed / high bed that are not designed to be used with the bed, for example, but not limited to ropes, strings, cords, hooks, belts and bags";
- c) **WARNING** "Children can become trapped between the bed and the wall, a roof pitch, the ceiling, adjoining pieces of furniture (e.g. cupboards) and the like. To avoid risk of serious injury the distance between the top safety barrier and the adjoining structure shall not exceed 75 mm or shall be more than 230 mm";
- d) **WARNING** Do not use the bunk bed/high bed if any structural part is broken or missing;
- e) Always follow the manufacturer's instructions;
- f) The recommended size of the mattress to be used with the bed is 1900mm x 900mm, Maximum mattress thickness:160mm;
- g) Bed must be aired to maintain a low humidity and to stop moisture in its surroundings.
- h) This complies with the requirements of the European Safety Standard BS EN 747-1 & -2:2024.
- i) Do not allow more than 1 person on the upper bunk at one time.
- j) This product is not suitable for children under 6 years.
- k) Imported to the UK by: ACE CASUAL LIMITED, BRADFORD RD, BRIGHOUSE, WEST YORKSHIRE, HD6 4DJ.

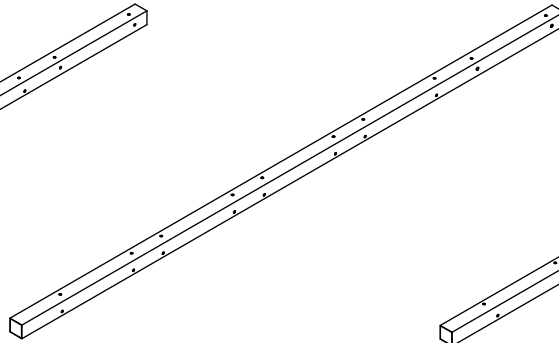
# PARTS



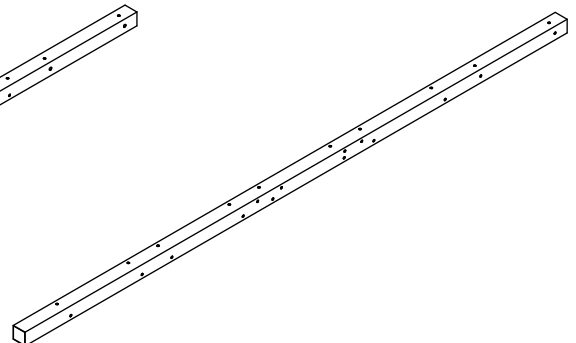
# Panels



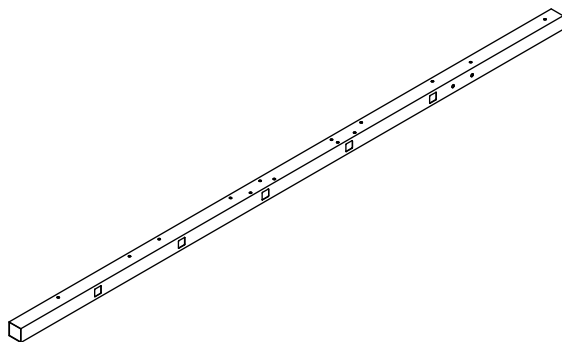
1 Post 01 x 1



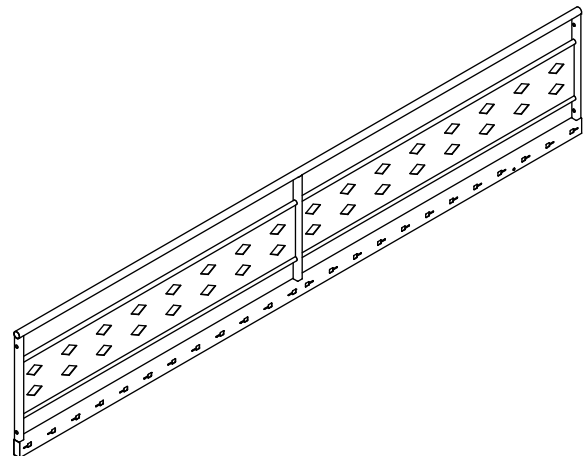
2 Post 02 x 1



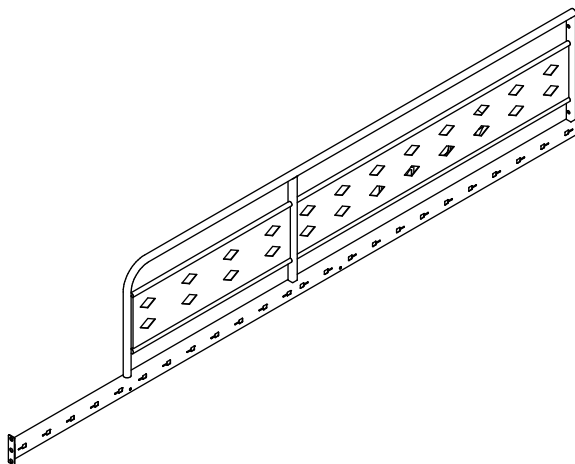
3 Post 03 x 1



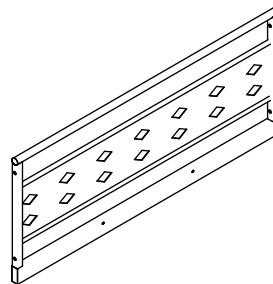
4 Post 04 x 1



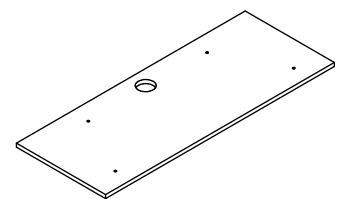
13 Rear Guard Rail x 1



12 Front Guard Rail x 1

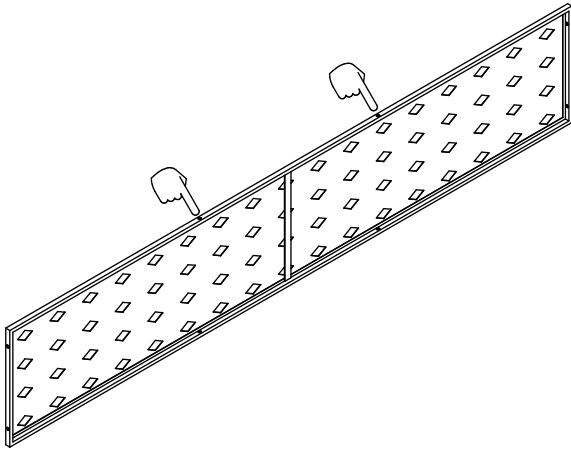


7 End Guard Rail x 2

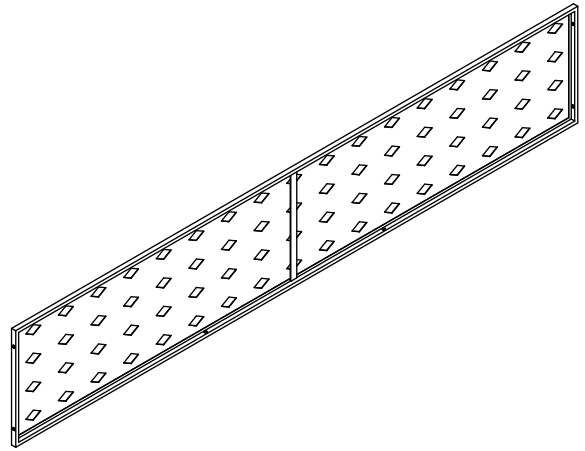


50 Shelf x 1

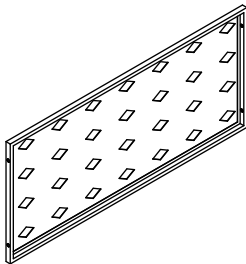
# Panels



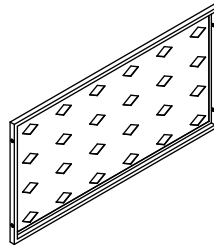
52a Rear Mesh Panel 01 x 2



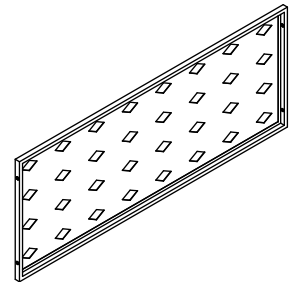
52b Rear Mesh Panel 02 x 2



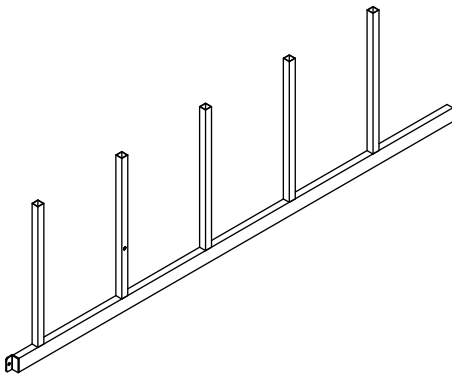
52c Front Mesh Panel 01 x 4



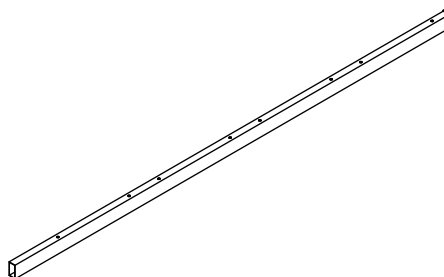
52d Front Mesh Panel 02 x 1



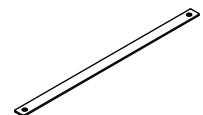
53 Side Mesh Panel x 8



22 Ladder x 1

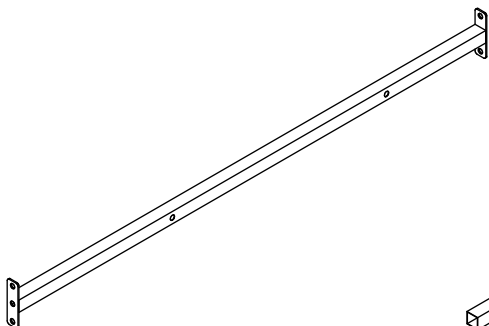


23a Support Post 01 x 1

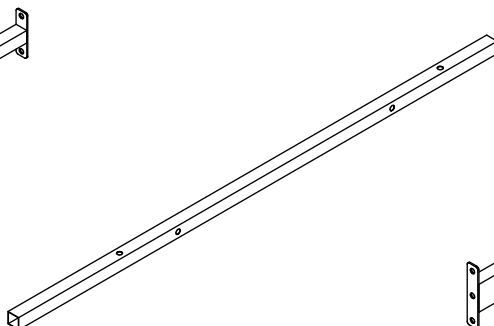


23b Support Post 02 x 1

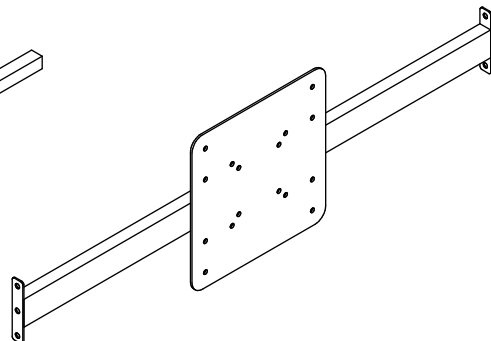
# Panels



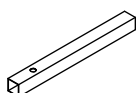
55a Shelf Support Rail 01 x 1



55b Shelf Support Rail 02 x 1



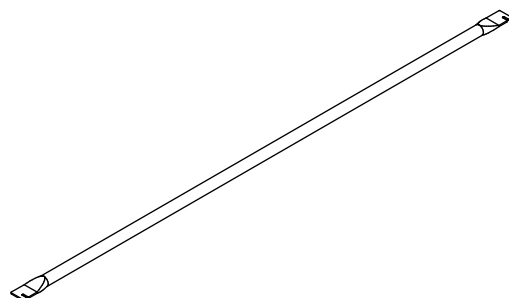
60 TV Mount x 1



55c Shelf Support Rail 03 x 2



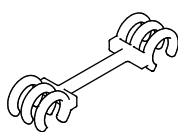
63 Cable Cap x 1



14a Slats x 24



31 Bracket x 4

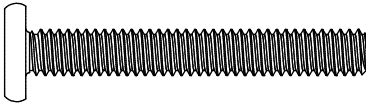
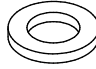
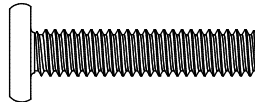

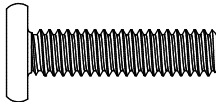
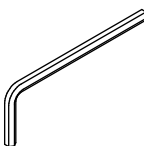
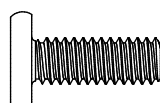
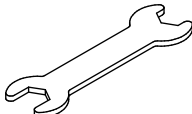
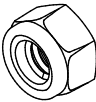
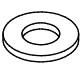
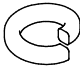


16 Slat Spacer x 23



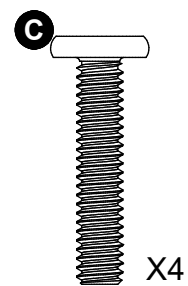
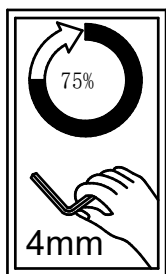
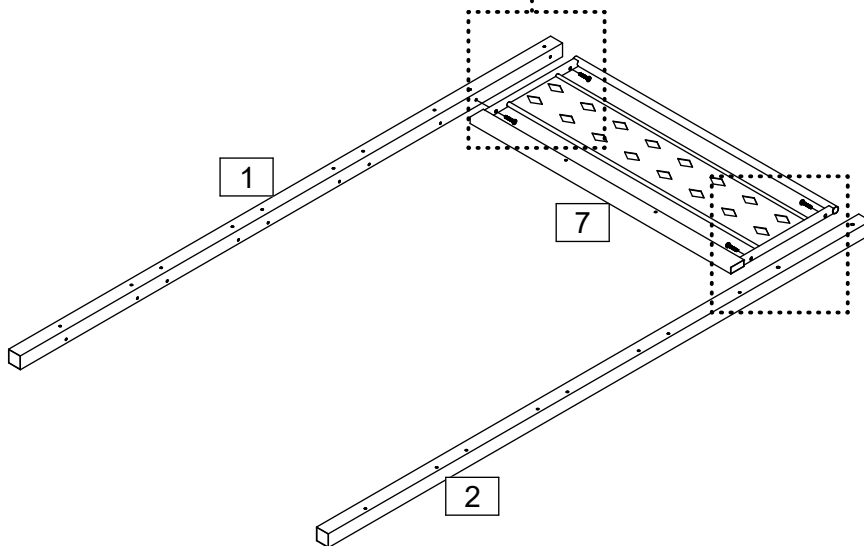
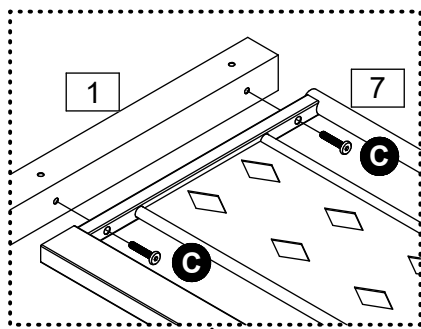
15 Plastic Plug x 48

# Fittings (T00003401B01)

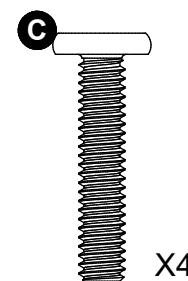
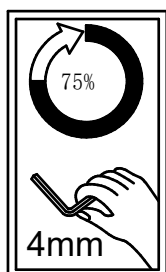
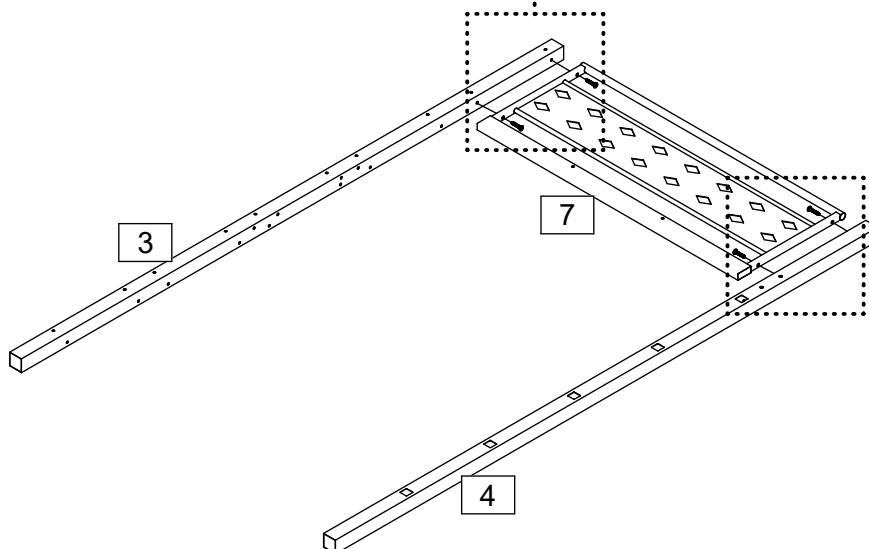
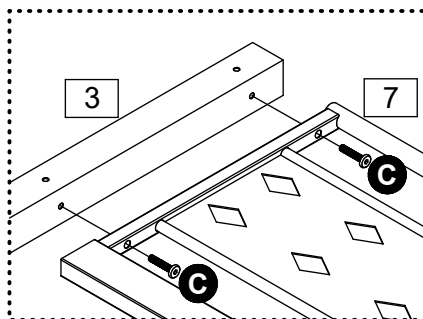
<p><b>A</b></p>  <p>45mm M6 Bolt x 5</p>	<p><b>I</b></p>  <p>M6 Metal Washer x 8</p>
<p><b>C</b></p>  <p>30mm M6 Bolt x 21</p>	<p><b>J</b></p>  <p>M6 Plastic Washer x 8</p>
<p><b>E</b></p>  <p>25mm M6 Bolt x 79</p>	<p><b>K</b></p>  <p>4MM Allen Key x 1</p>
<p><b>N</b></p>  <p>17mm M6 Bolt x 15</p>	<p><b>L</b></p>  <p>Wrench x 1</p>
<p><b>G</b></p>  <p>M6 Nut x 6</p>	<p><b>M</b></p>  <p>M4 Metal Washer x 4</p>
<p><b>H</b></p>  <p>M6 Spring Washer x 8</p>	



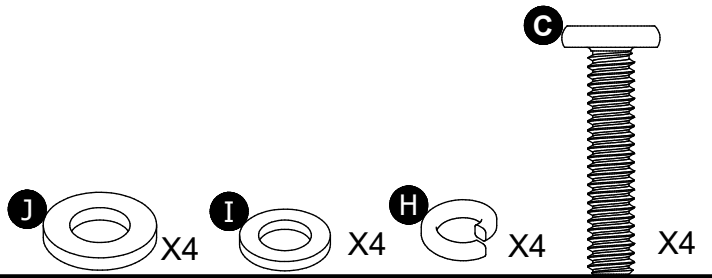
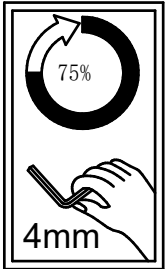
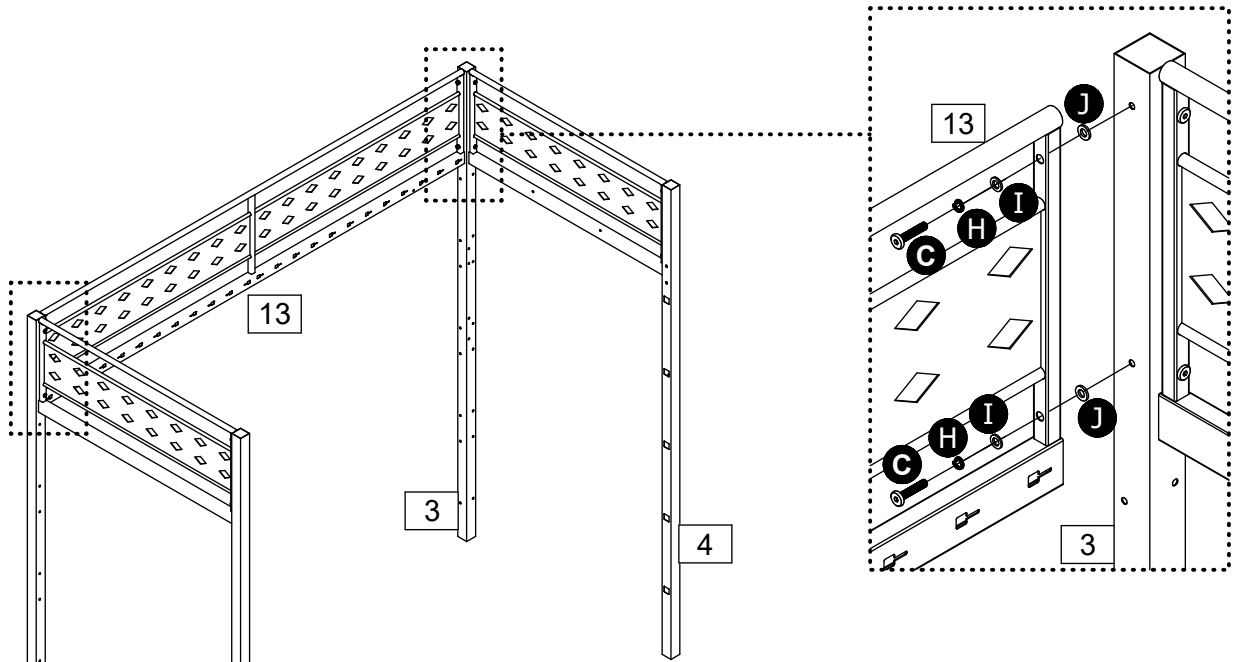
# 1



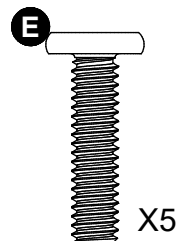
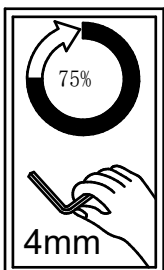
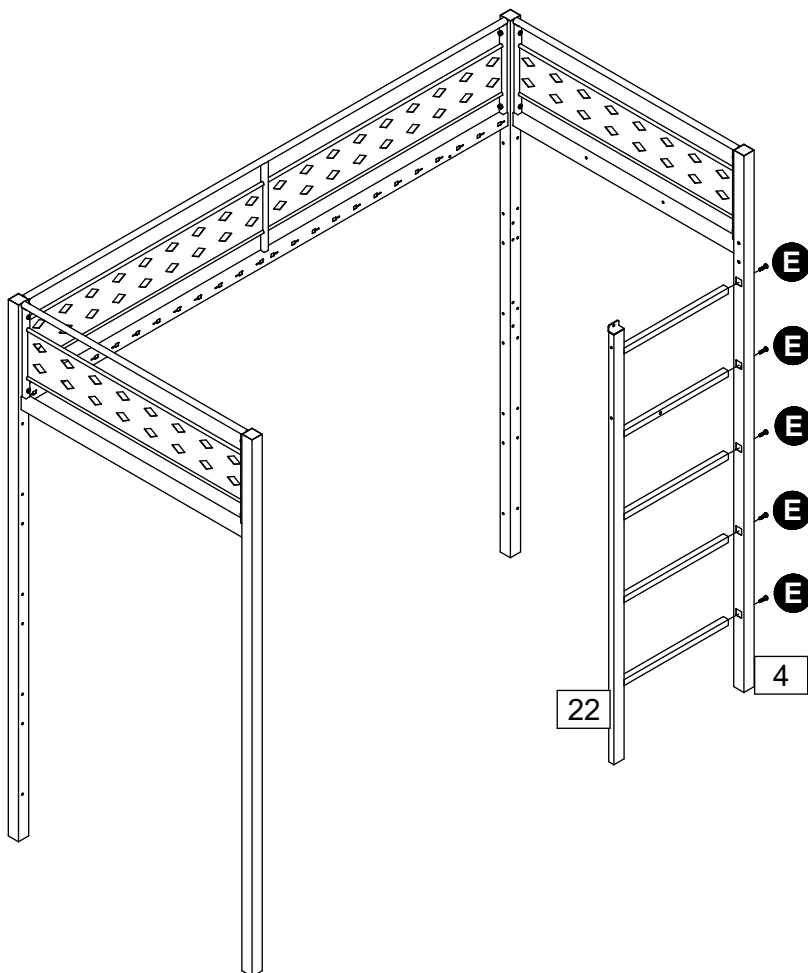
# 2



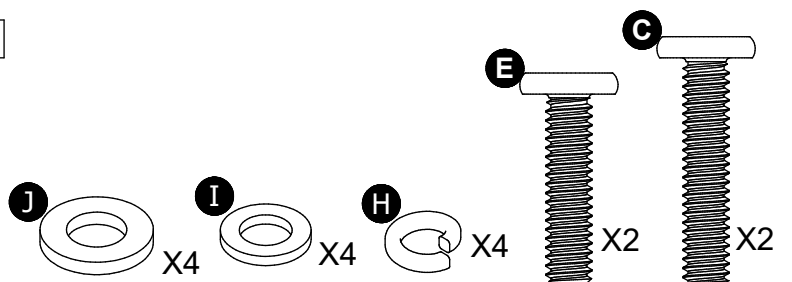
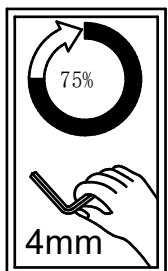
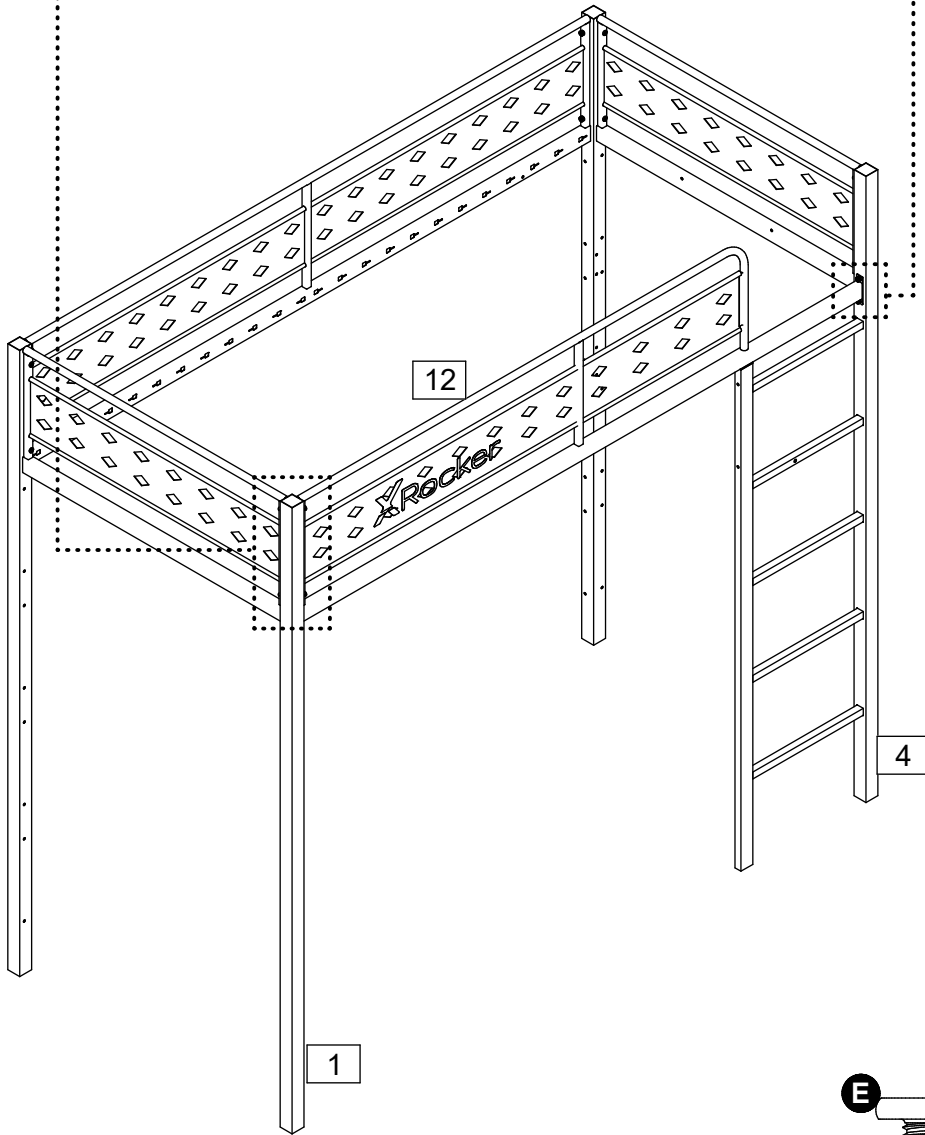
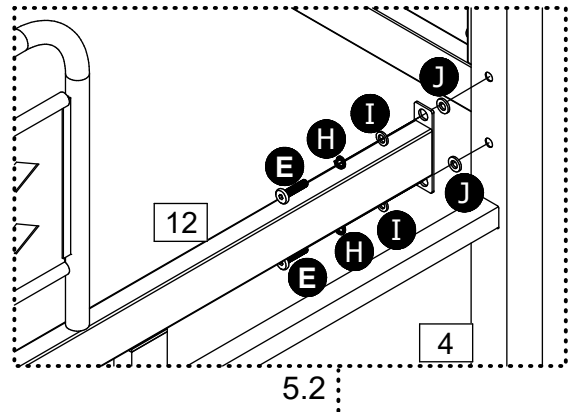
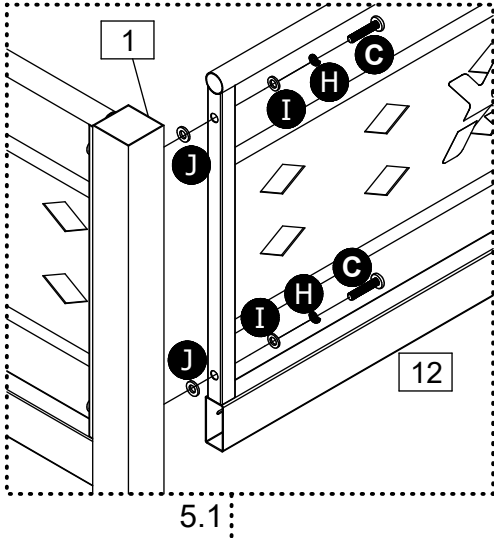
# 3



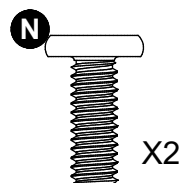
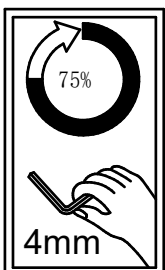
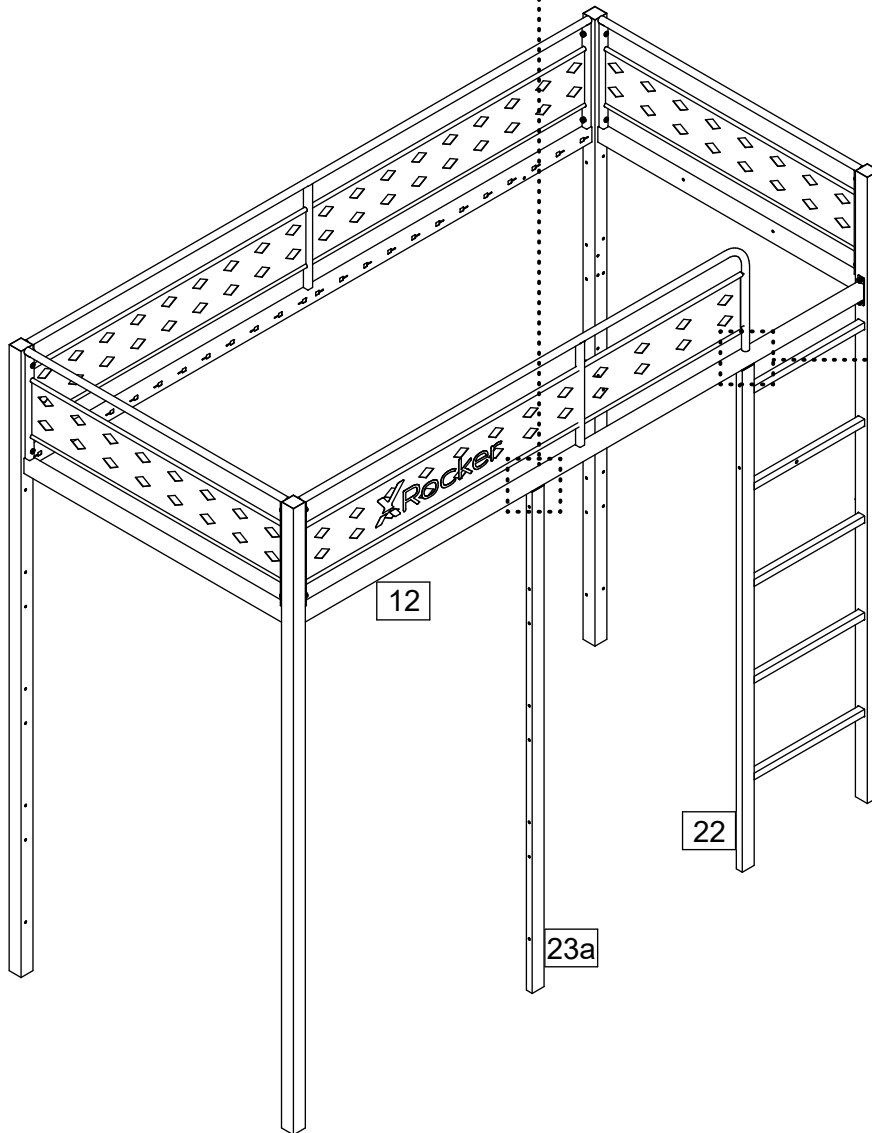
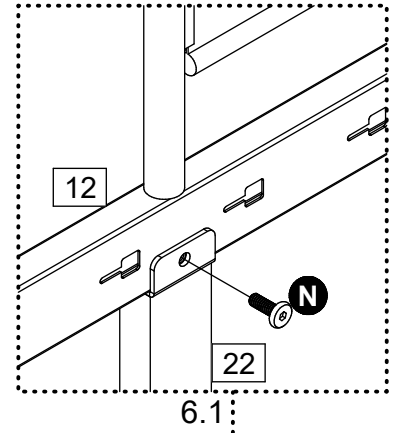
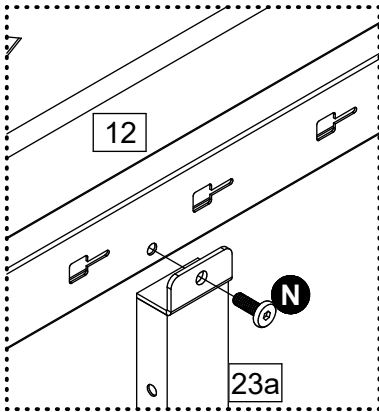
# 4



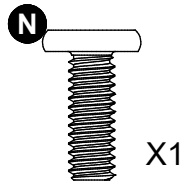
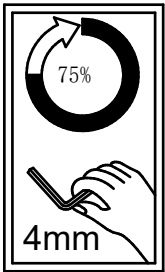
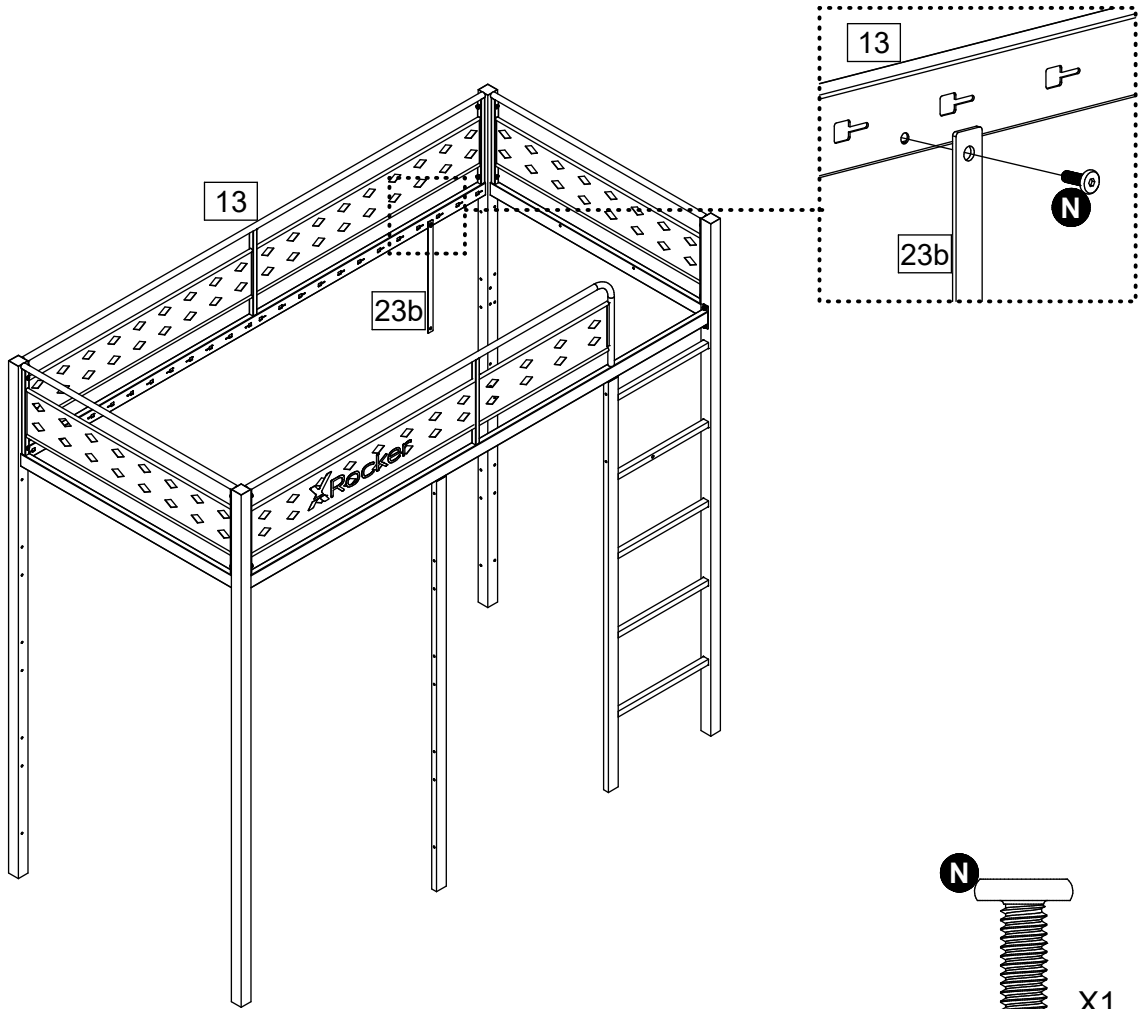
# 5



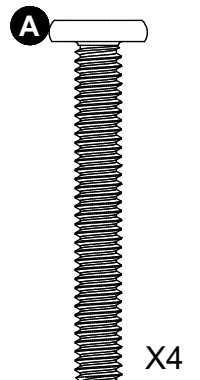
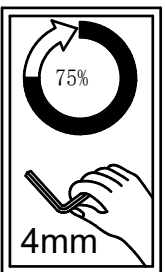
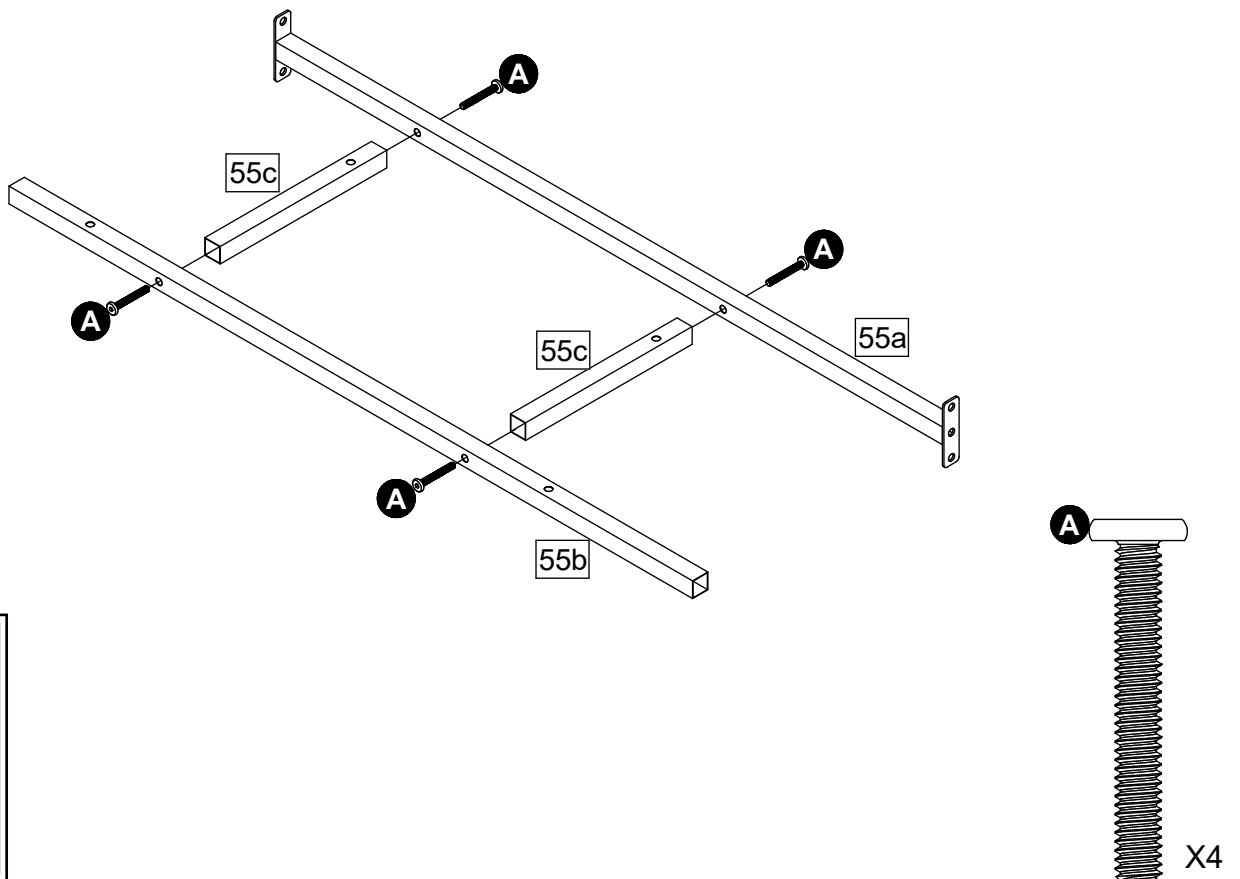
# 6



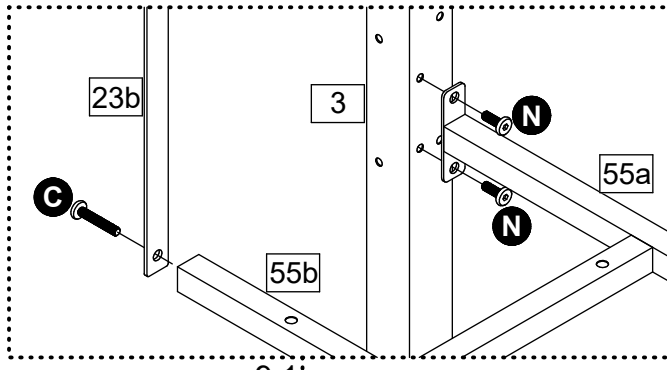
# 7



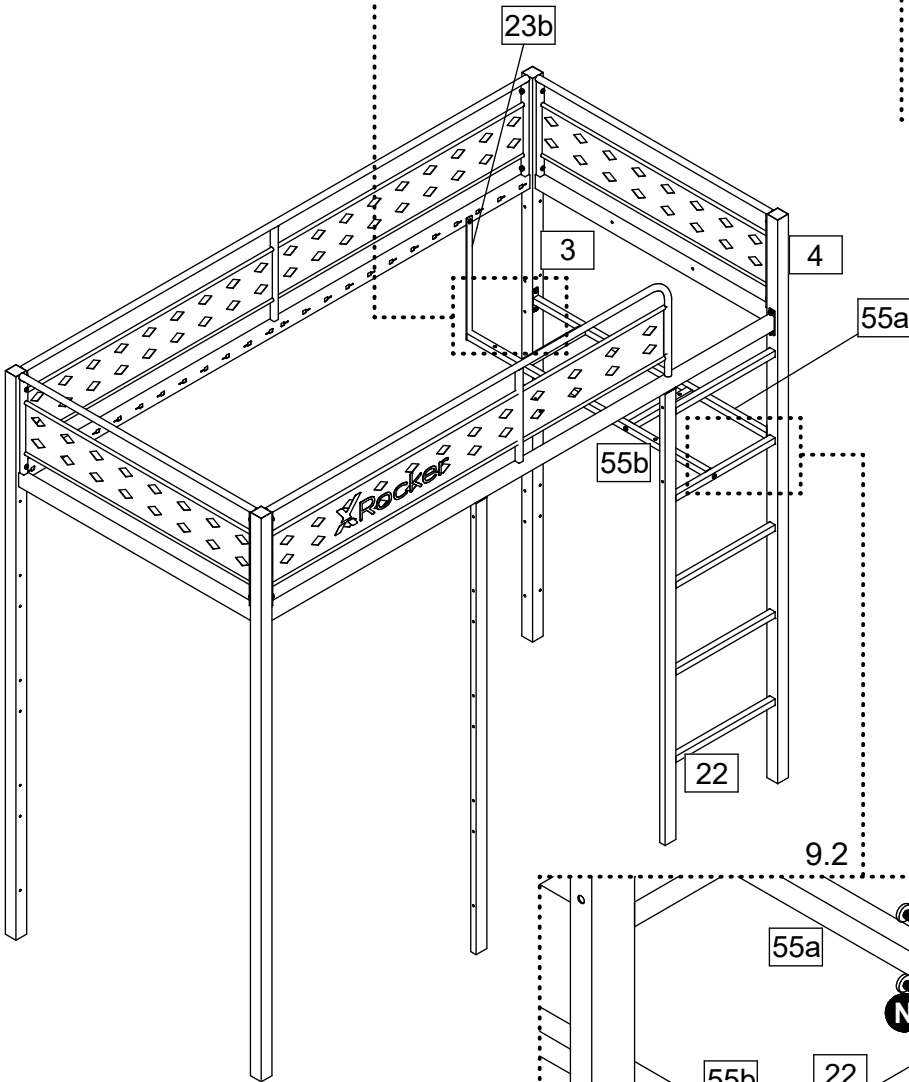
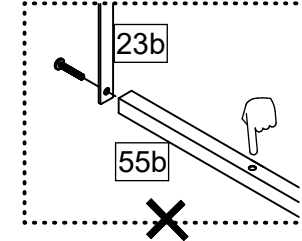
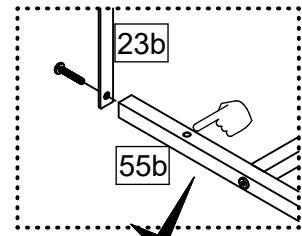
# 8



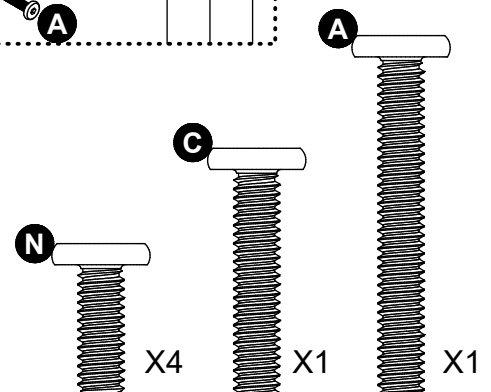
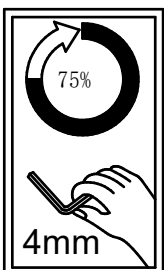
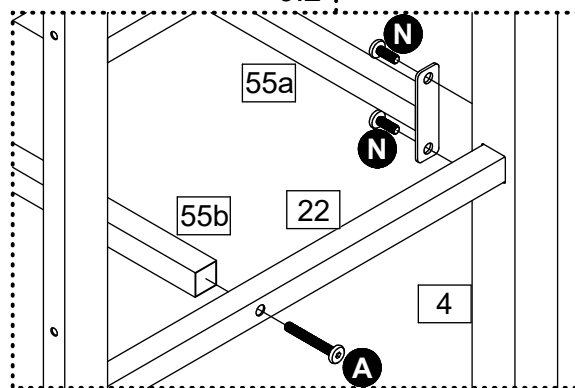
9



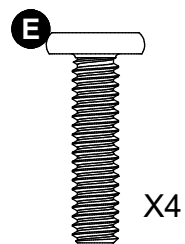
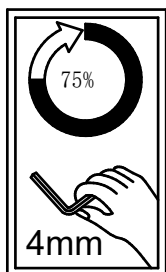
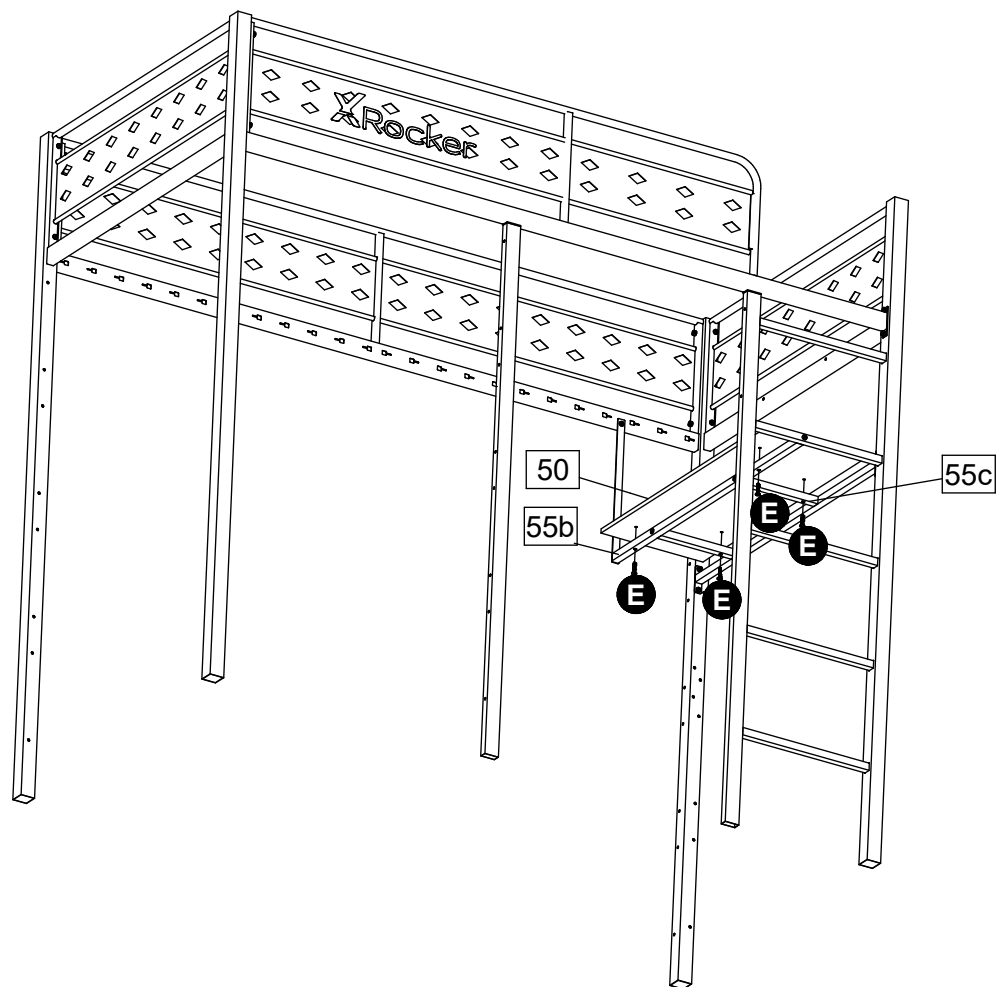
9.1



9.2

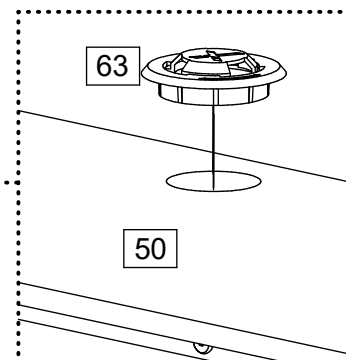
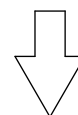
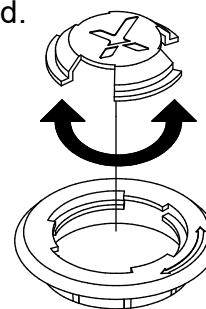
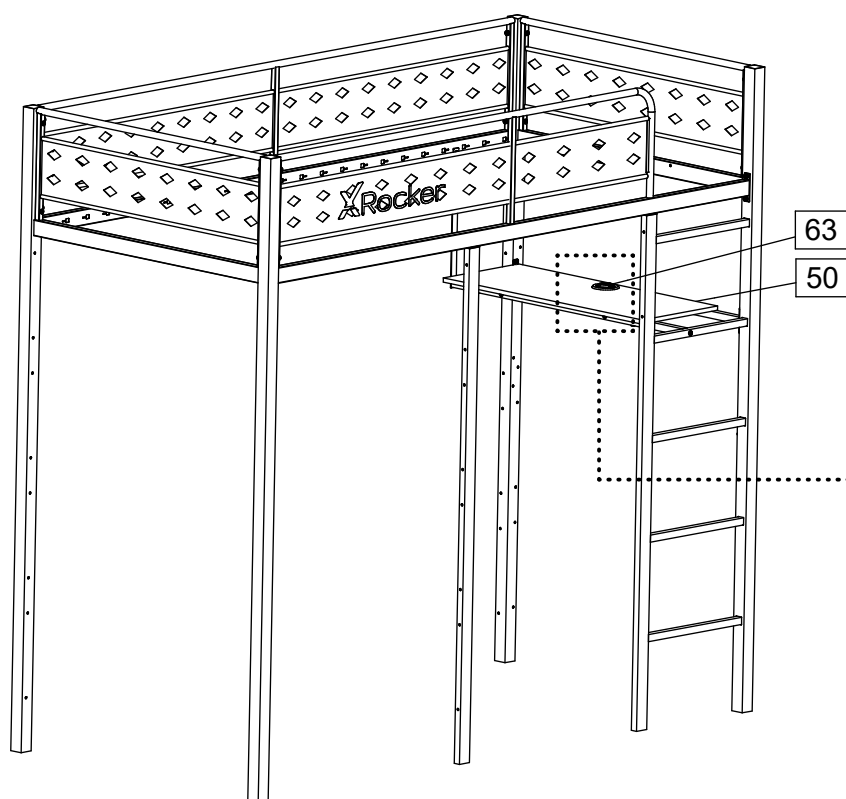


# 10

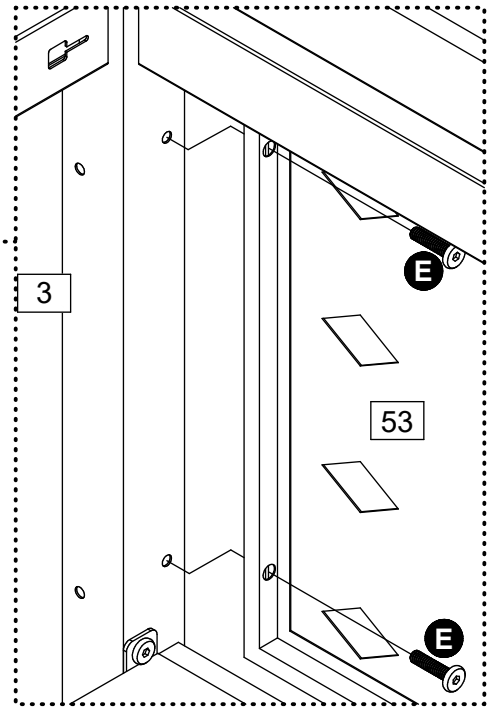
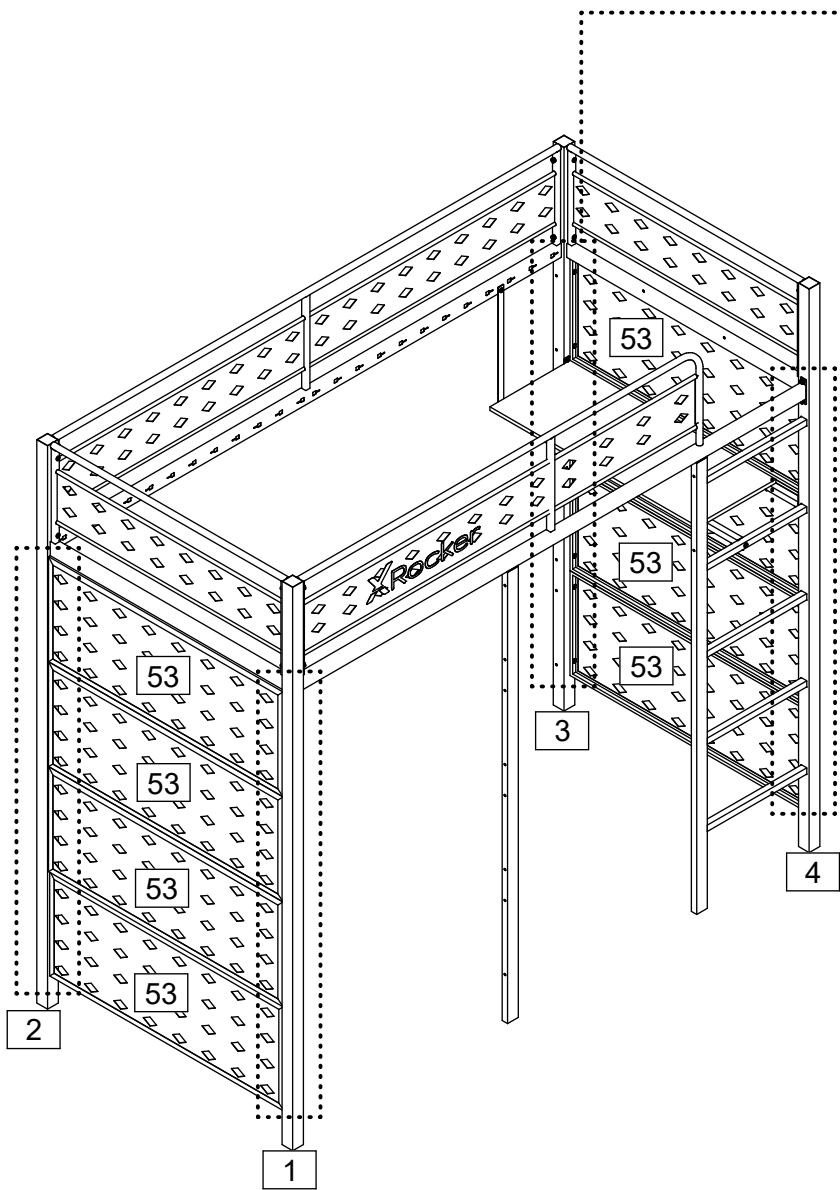


# 11

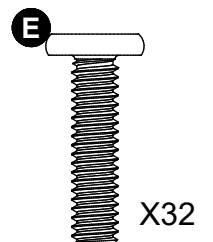
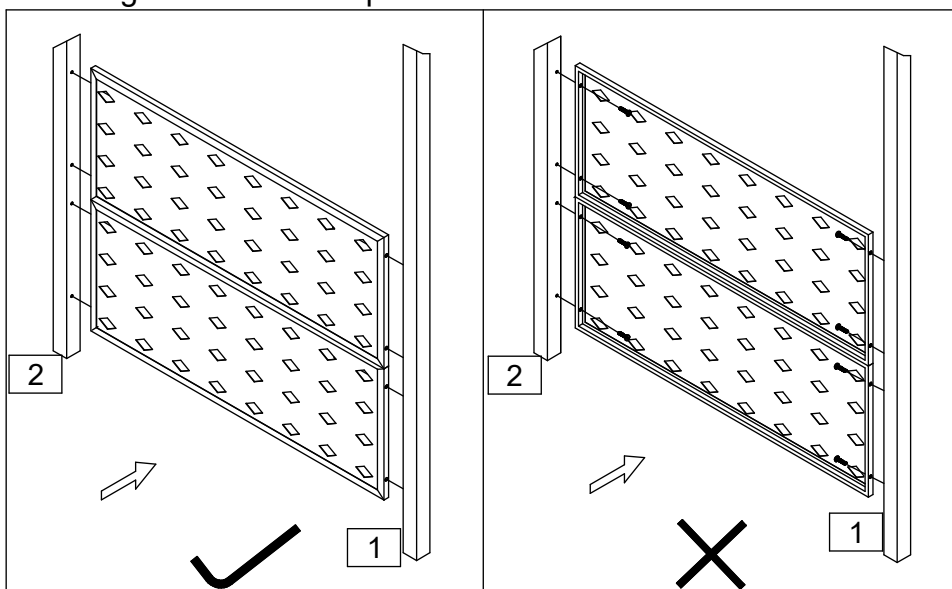
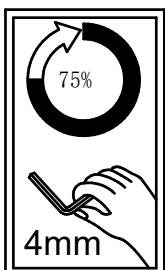
Twist the X cover to open the cable grommet.  
Then pass cables through the desktop as desired.  
Then reassemble the X cover and twist to close  
the cable grommet again



# 12

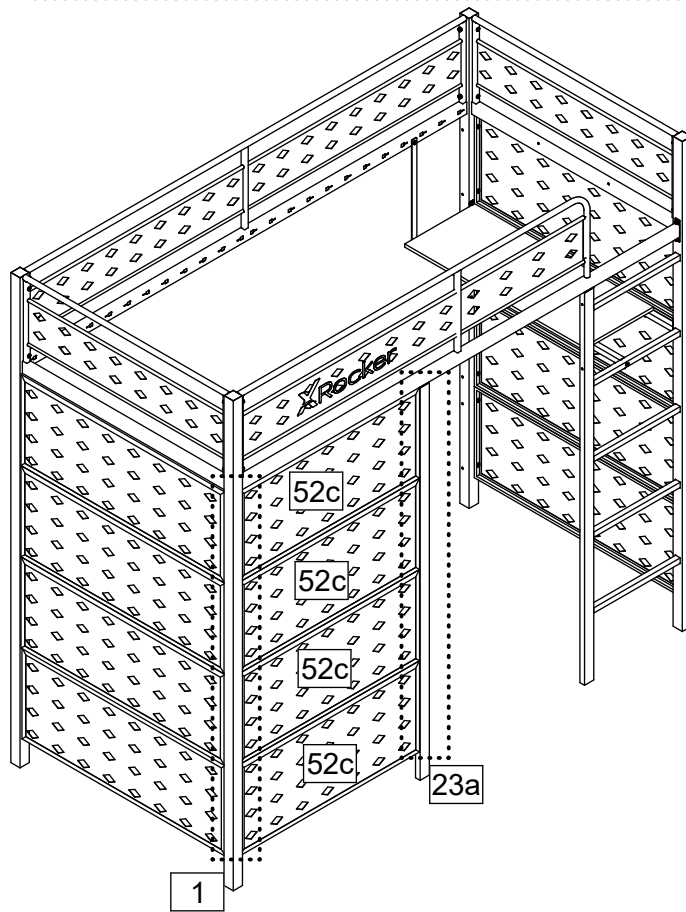
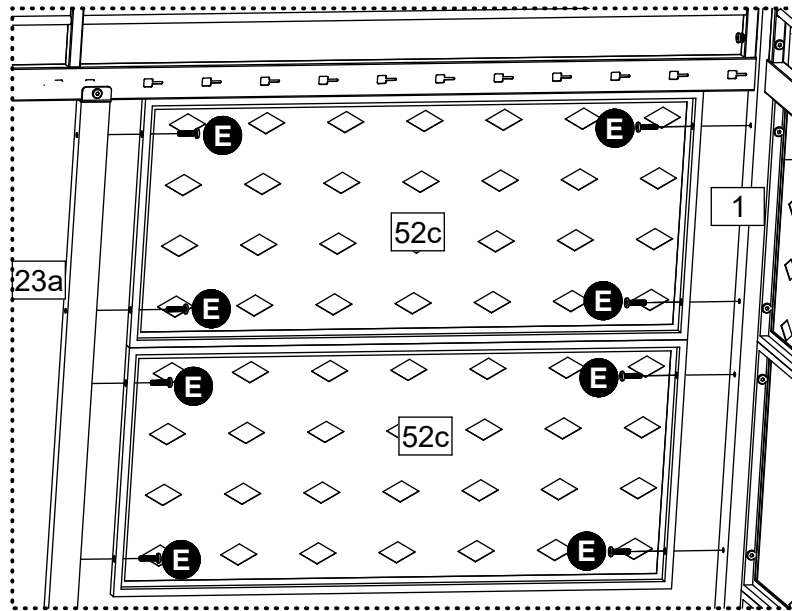


The edgefolds on mesh panels should be towards inside of bed.

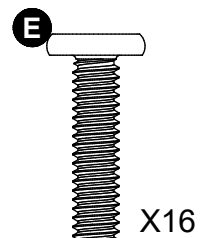
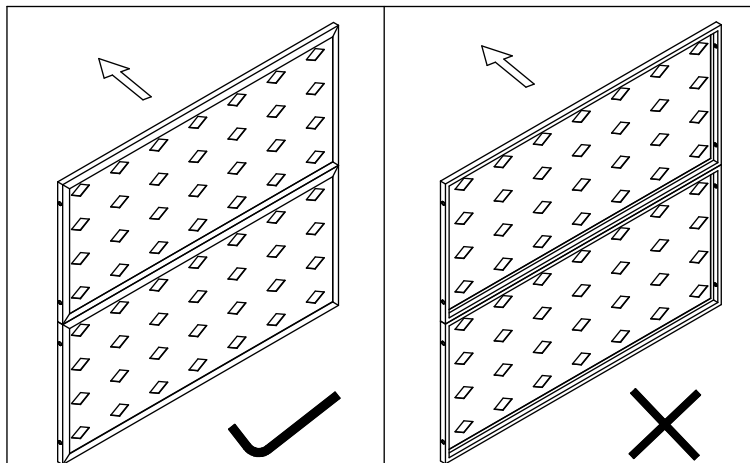
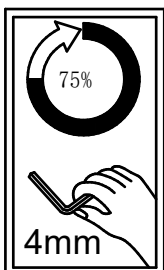




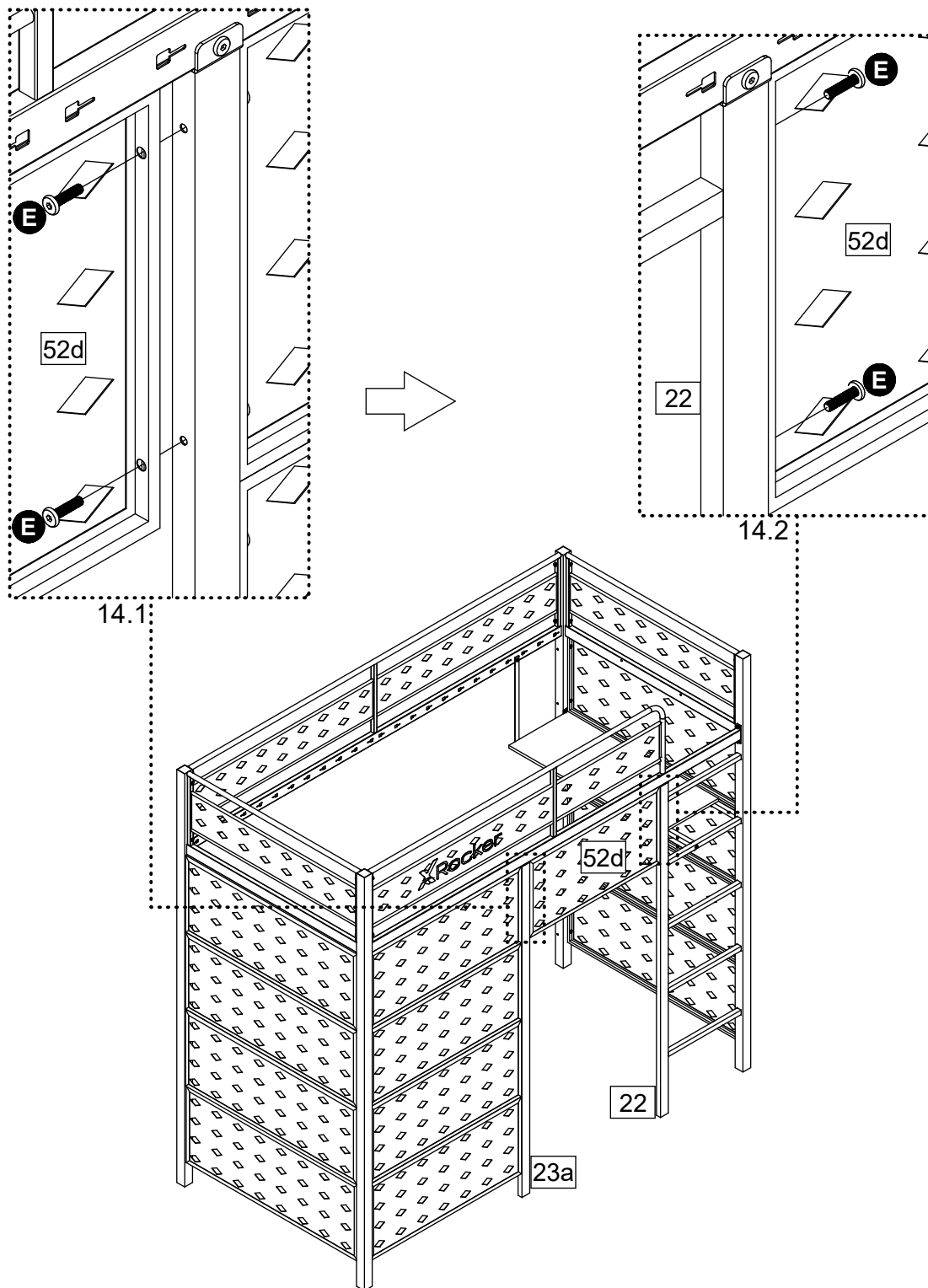
# 13



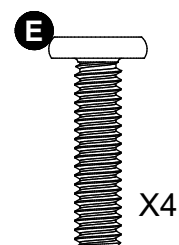
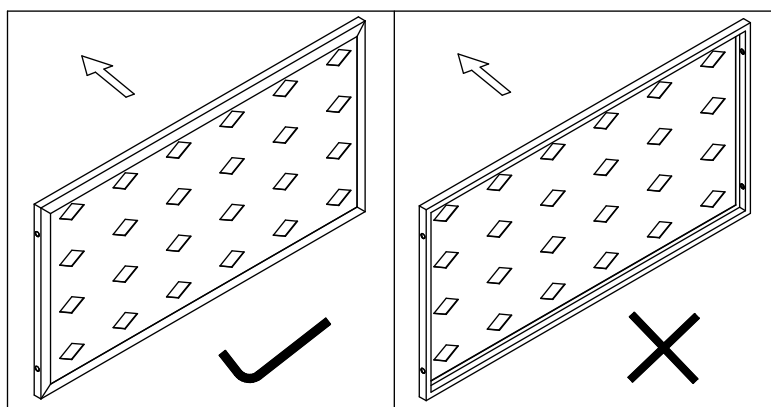
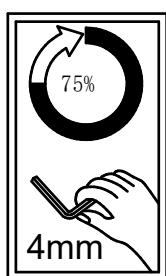
The edgefolds on mesh panels should be towards inside of bed.



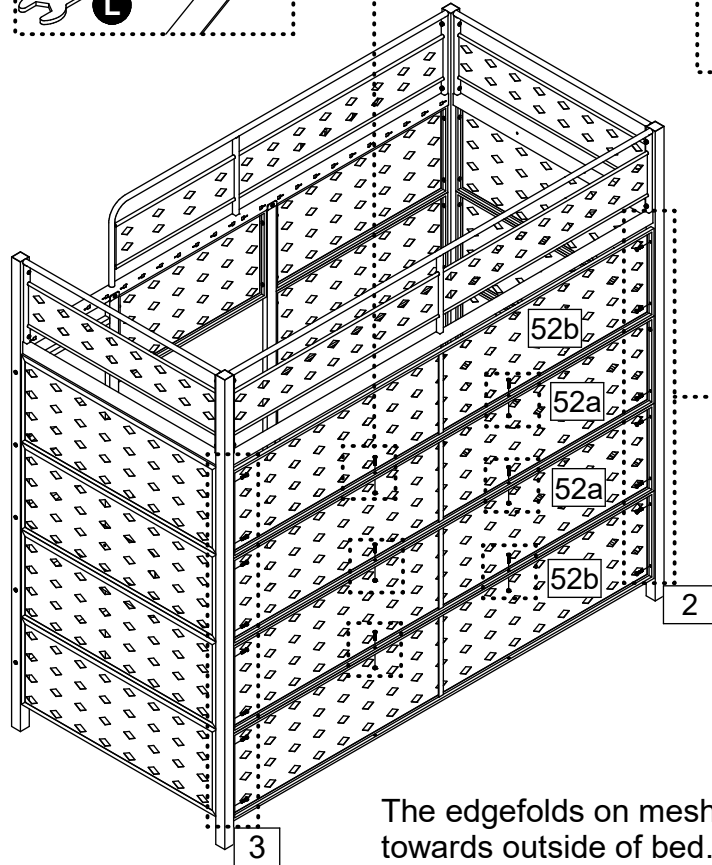
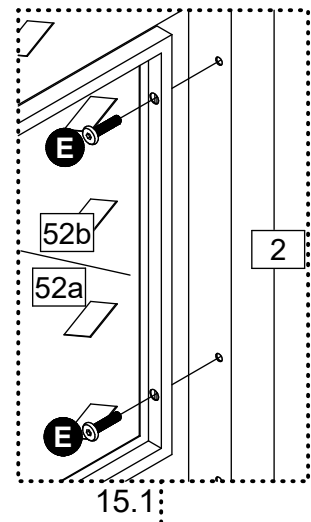
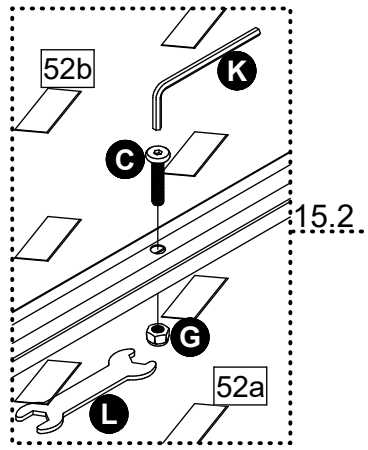
# 14



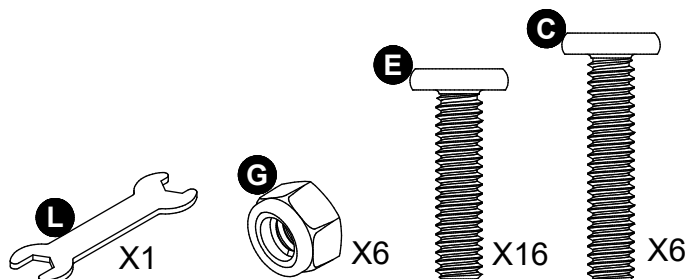
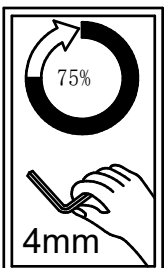
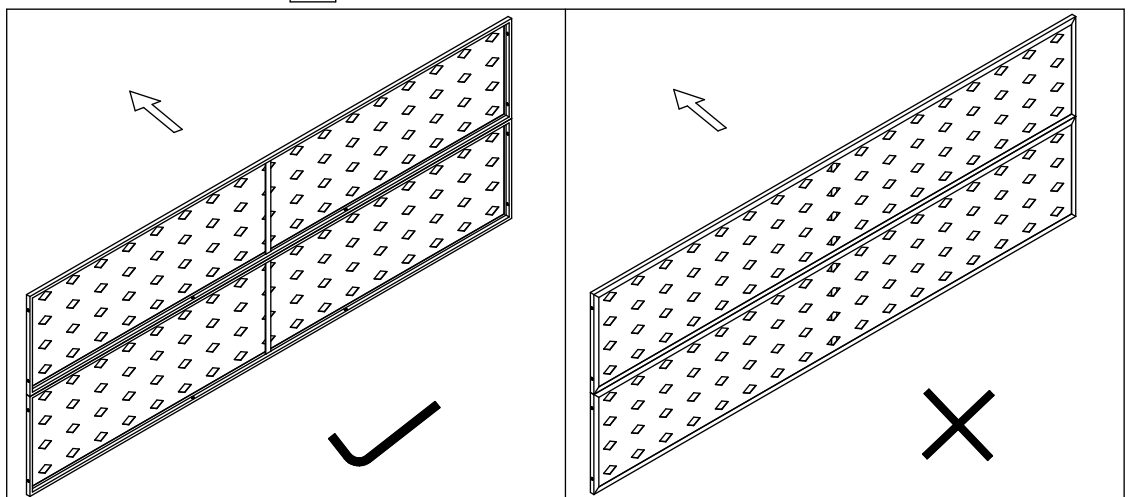
The edgefolds on mesh panels should be towards inside of bed.



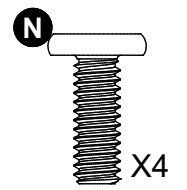
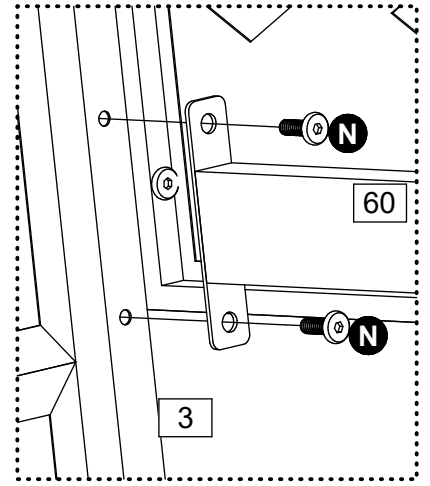
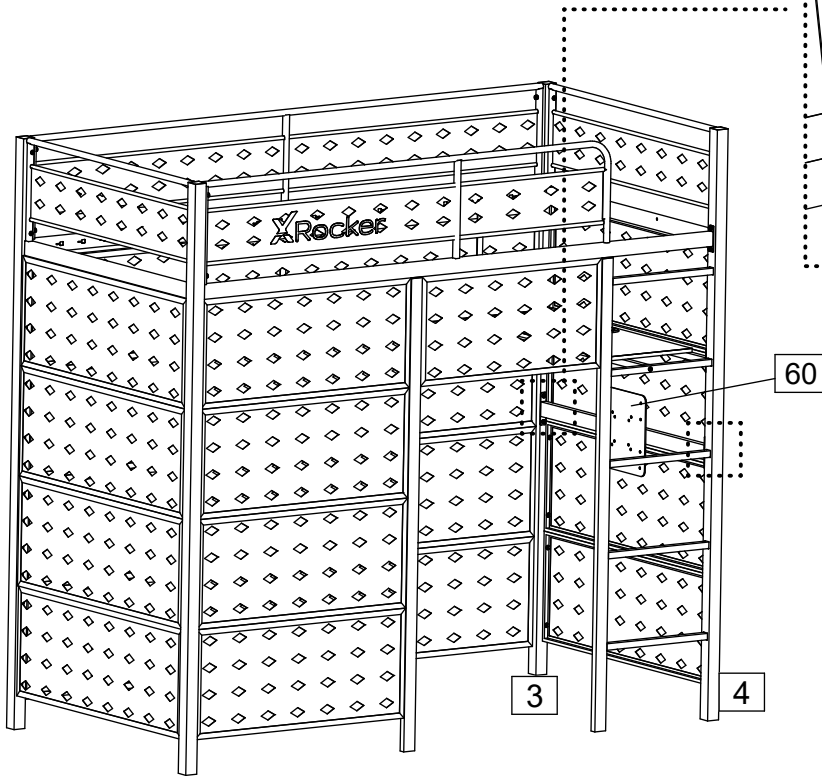
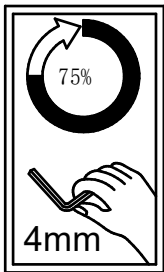
# 15



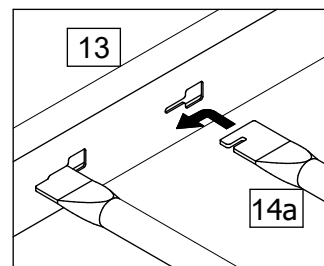
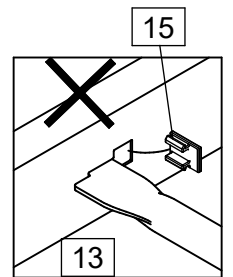
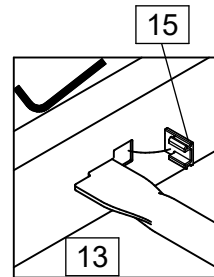
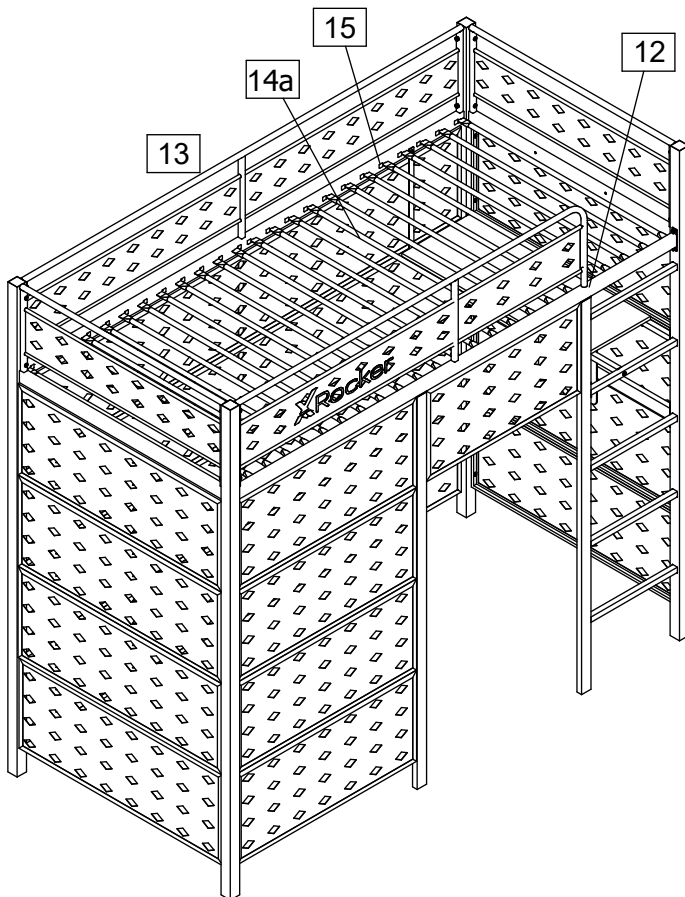
The edgefolds on mesh panels should be towards outside of bed.



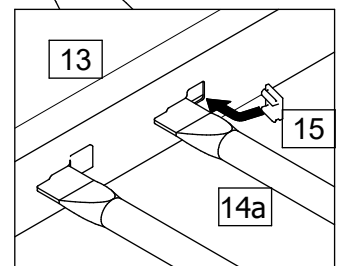
# 16



# 17

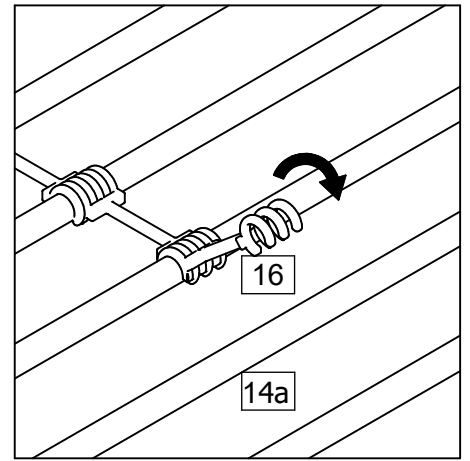
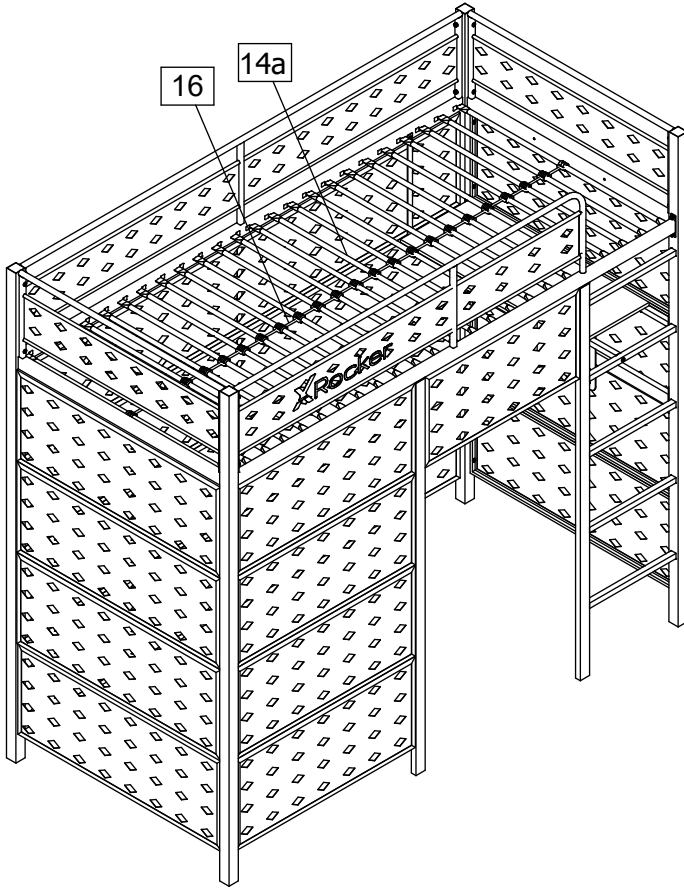


17.1

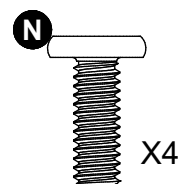
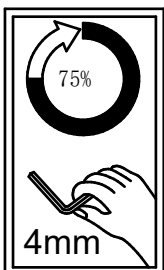
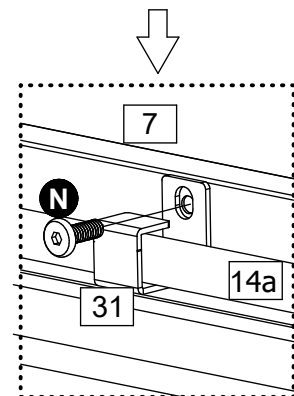
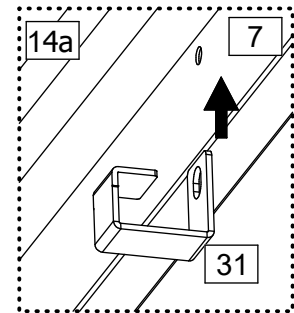
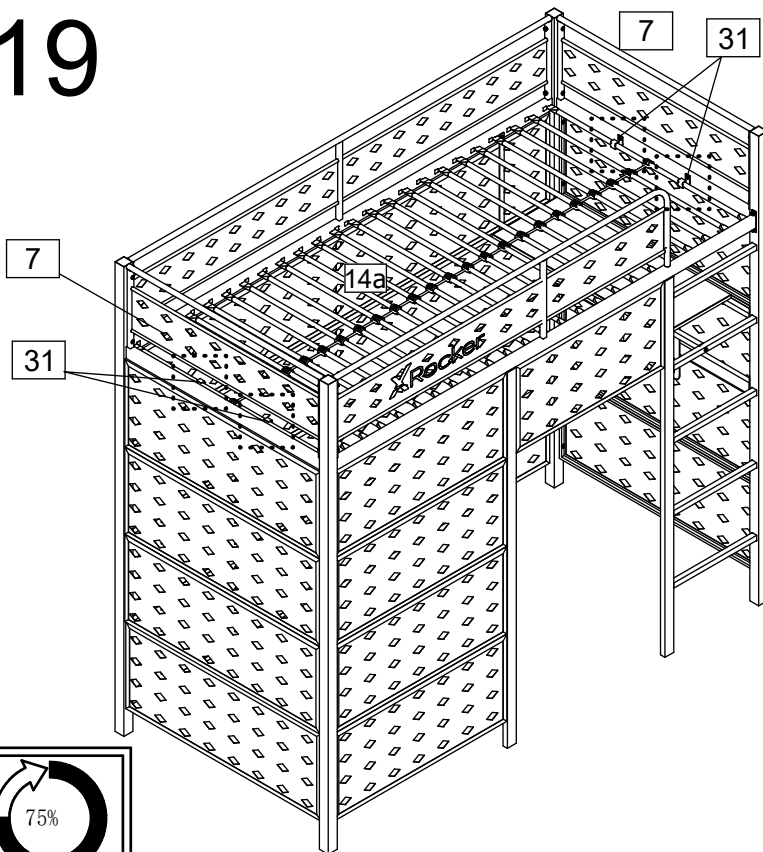


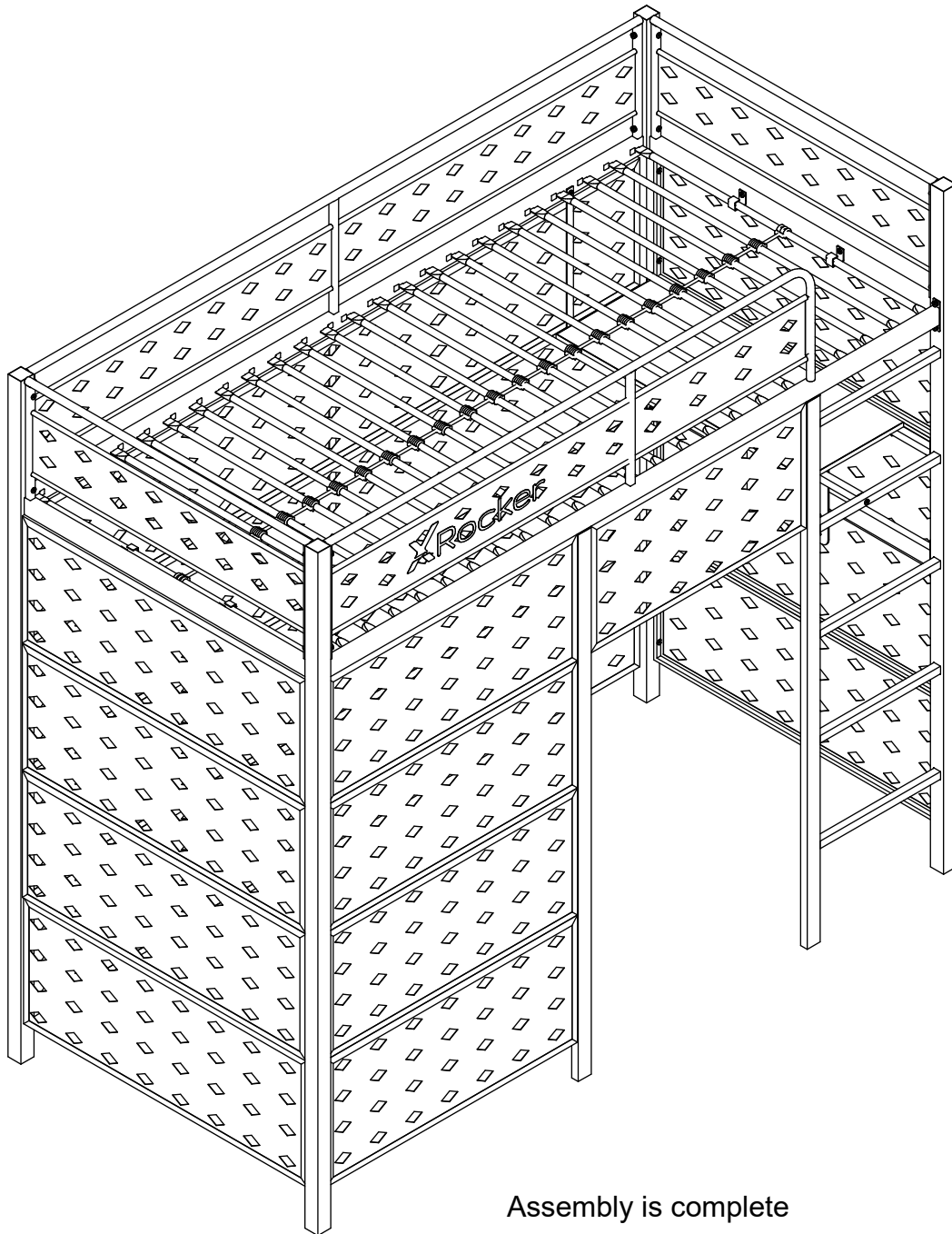
17.2

# 18



# 19





Assembly is complete

Note: The TV mount mates with M6 screw. If you're using M4 screw to assemble the TV screen, please use part M washer as provided to make sure M4 screw could be also workable for it.

