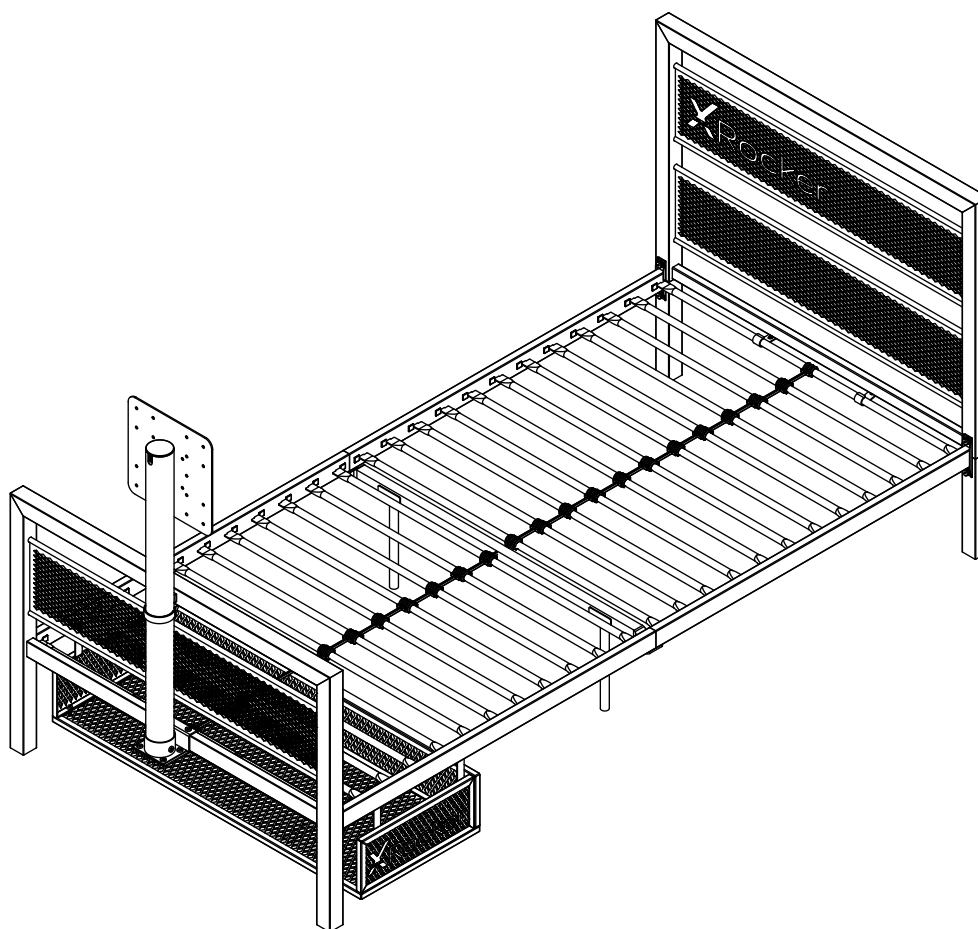


BASE CAMP TV GAMING BED

IMPORTANT - READ CAREFULLY - RETAIN FOR FUTURE REFERENCE

XRocker.



Dimensions

Width - 204.3cm

Depth - 95.7cm

Height - 109.6cm

Need Help ? Contact X Rocker at :
www.xrockeruk.com/pages/support

IMPORTANT: You must keep your original retail receipt as proof of purchase.



Safety and Care Advice

Important - Please read these instructions fully before starting assembly

- Check you have all the components and tools listed on the following pages.
- Remove all fittings from the plastic bags and separate them into their groups.
- Keep children and animals away from the work area. Small parts may cause a choking hazard.
- Parts of the assembly will be easier with 2 people.
- Make sure you have enough space to layout the parts before starting.
- Assemble the item as close to its final position (in the same room) as possible.
- Dispose of all packaging carefully and responsibly.
- Place the product on flat and steady surface during use.
- Assemble on a soft level surface to avoid damaging the unit or your floor.
- Keep these instructions for further use.
- To ensure an easier assembly we strongly advise that all fittings are only finger tightened during initial assembly. Only upon completion of the assembly should all fixing points be fully tightened.

Care and maintenance

- Only clean using a damp cloth and mild detergent, do not use bleach or abrasive cleaners.
- From time to time check that there are no loose screws on this unit.

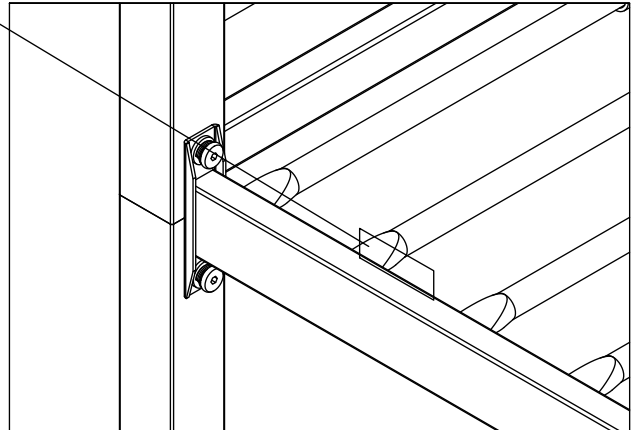
Handy Hints

- Assemble all parts and bolts loosely during assembly, only once the product is complete should you fully tighten the bolts
- Regularly check and ensure that all bolts and fittings are tightened properly.



IMPORTANT! KEEP FOR FUTURE REFERENCE

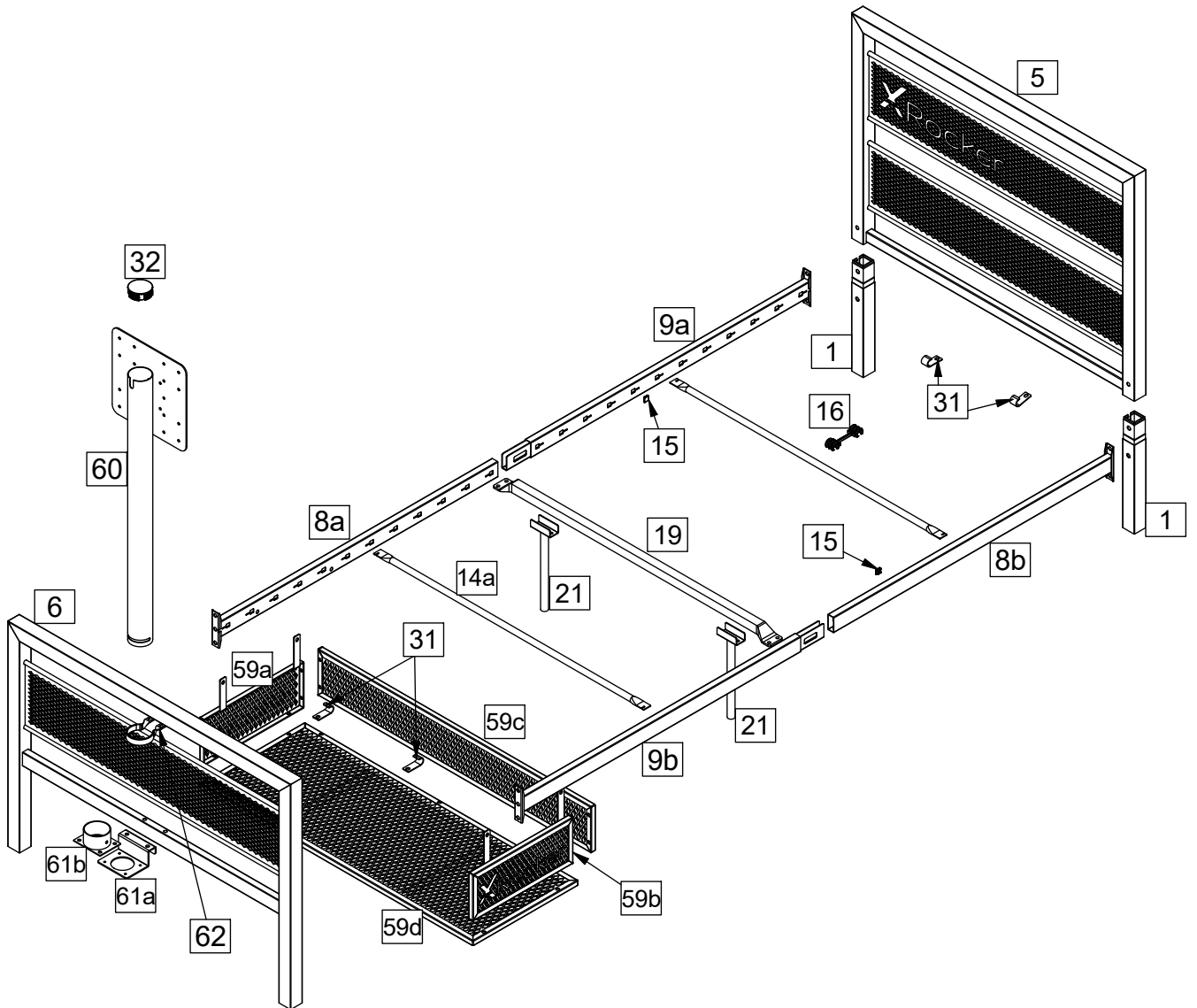
The child's bed conforms to BS 8509:2008+A1:2011;
WARNING. Not suitable for children under 4 years.
Imported by: ACE CASUAL LIMITED



DO NOT REMOVE THE LABEL FROM THE BED

- a) **WARNING.** Do not place this child's bed near heat sources ,windows and other furniture.
- b) **WARNING.** Do not use this child's bed if any part is broken, torn or missing.
- c) **WARNING.** Not suitable for children under 4 years.
- d) That the child's bed conforms to BS 8509:2008+A1:2011;
- e) Imported by: ACE CASUAL LIMITED
- f) This product is suitable for children in the age range of children for which the product is 4 - 12 years.
- g) The size of the mattress to be used: 1900mm x 900mm;
- h) The bed is designed to be dismantled for storage or transportation;
- i) Clean the product with soft cloth. DO NOT use harsh chemicals or abrasive cleaners.
- j) That children are likely to play, bounce, jump and climb on beds, therefore the child's bed should not be placed too close to other furniture or windows, blind cords, curtain pulls or other strings or cords, and should be placed either tight to any wall or have a gap of 300mm between the wall and the side of the bed;
- k) Plastic plug, slat spacer or replacement parts could be obtained from the manufacturer or distributor;

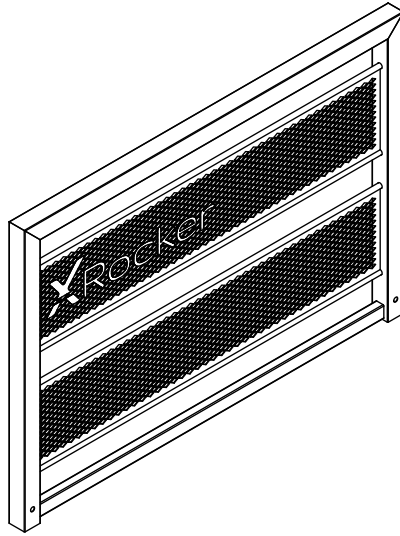
PARTS



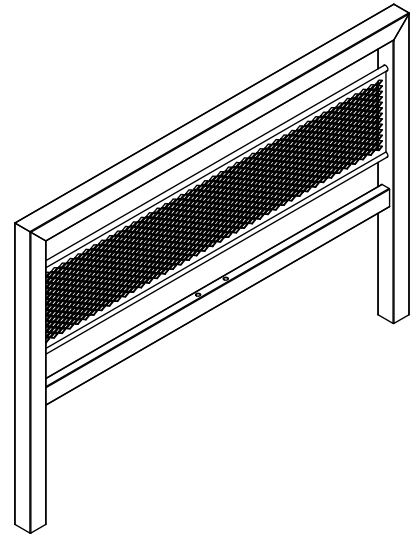
Panels



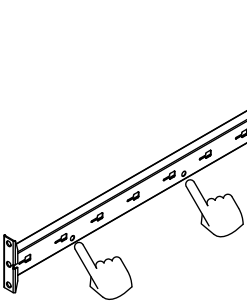
1 Post X 2



5 Headboard X 1



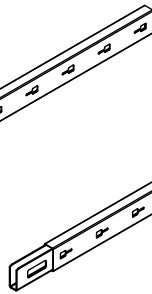
6 Footboard X 1



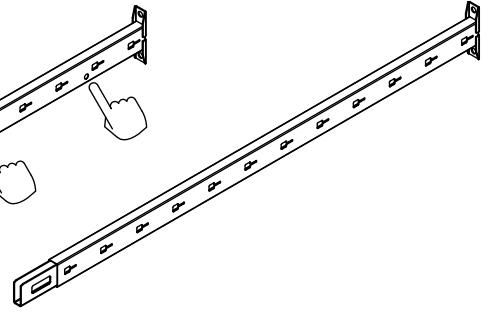
8a Side Rail 01 X 1



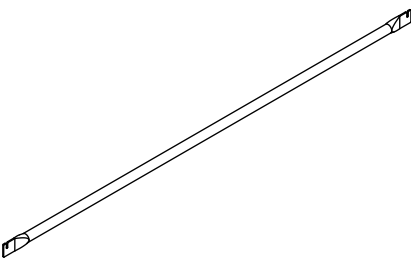
8b Side Rail 02 X 1



9b Side Rail 03 X 1



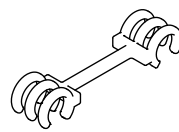
9a Side Rail 04 X 1



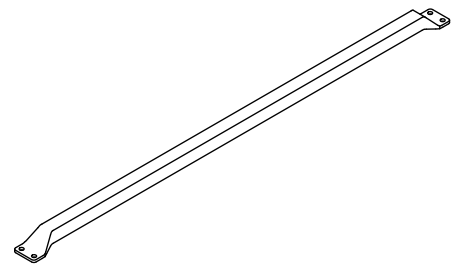
14a Slats X 24



15 Plastic Plug X 48

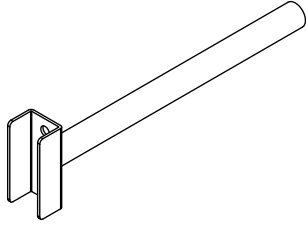


16 Slat Spacer x 23



19 Brace X 1

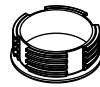
Panels



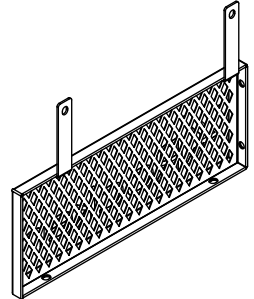
21 Leg X 2



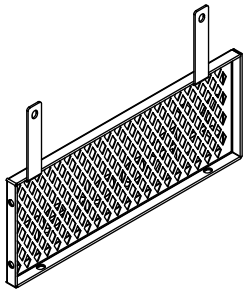
31 Bracket X 4



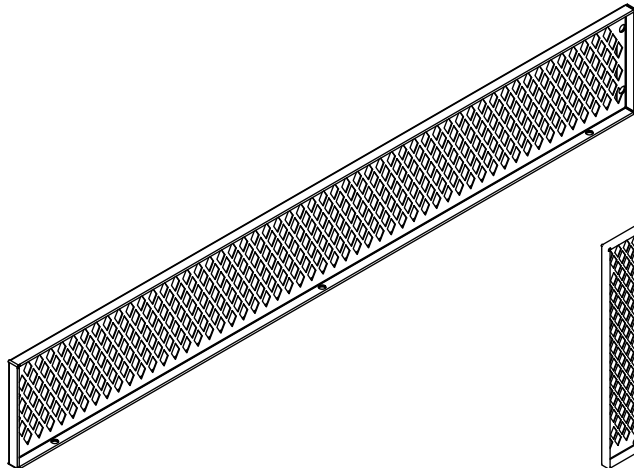
32 Cap X 1



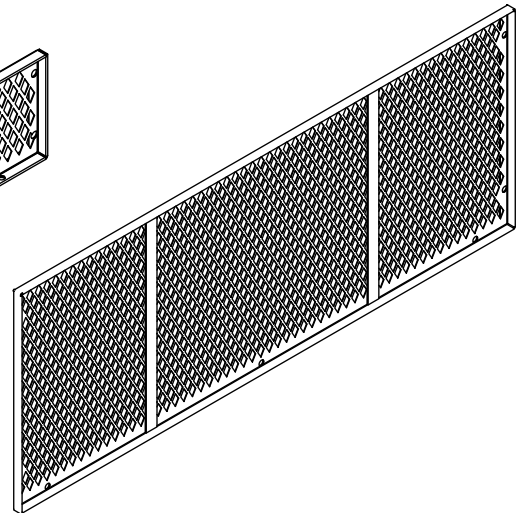
59a Left Mesh Shelf X 1



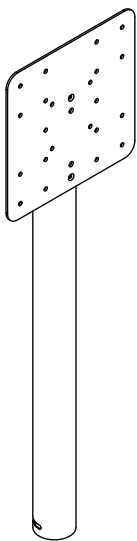
59b Right Mesh Shelf X 1



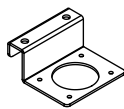
59c Rear Mesh Shelf X 1



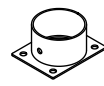
59d Bottom Shelf X 1



60 TV mount X 1



61a Mounting Seat X 1

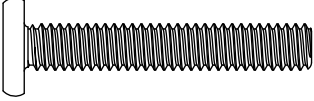
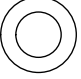
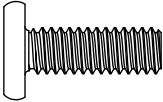
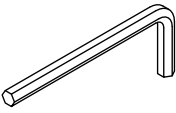
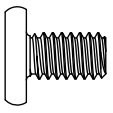
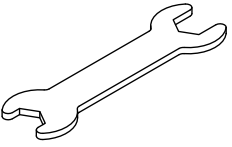
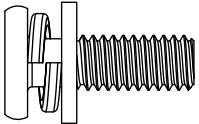
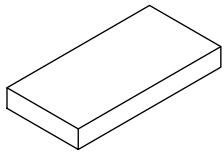
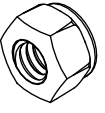
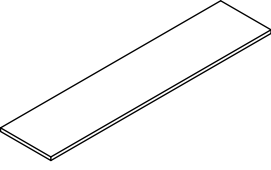
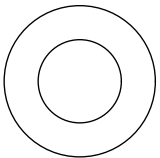


61b Mounting Sleeve X 1

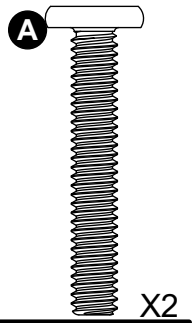
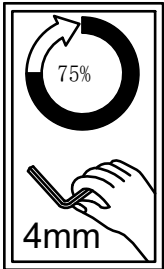
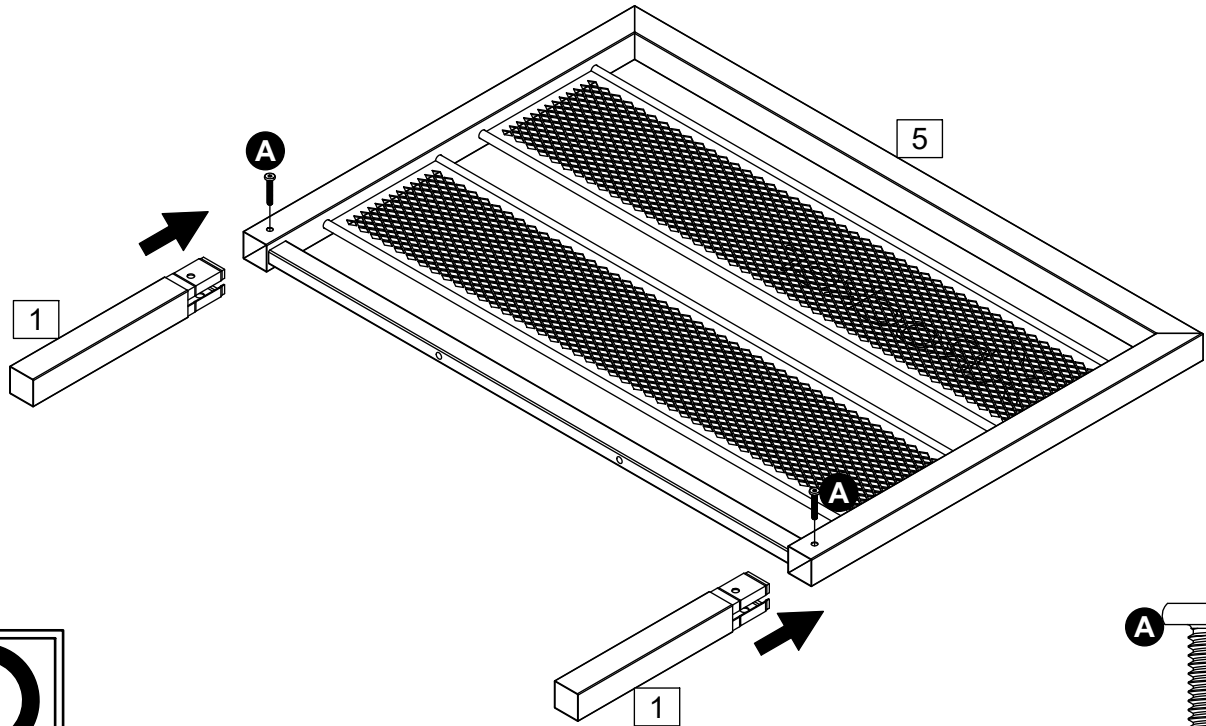


62 Buckle X 1

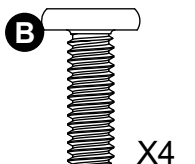
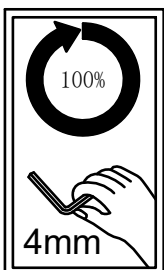
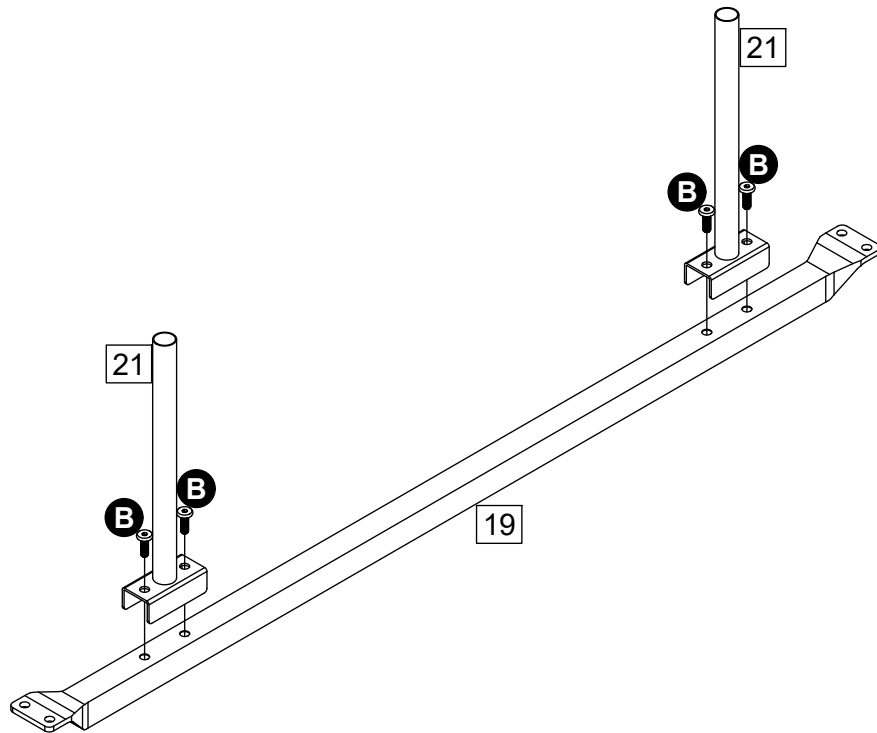
Fittings

<p>A</p>  <p>38mm M6 Bolt x 2</p>	<p>G</p>  <p>M4 Metal washer x 4</p>
<p>B</p>  <p>18mm M6 Bolt x 32</p>	<p>H</p>  <p>Allen Key x 1</p>
<p>C</p>  <p>10mm M6 Bolt x 4</p>	<p>I</p>  <p>Wrench x 1</p>
<p>D</p>  <p>22mm M8 3 in 1 Bolt x 8</p>	<p>J</p>  <p>EVA 01 x 1</p>
<p>E</p>  <p>Nut M6 x 1</p>	<p>K</p>  <p>EVA 02 x 1</p>
<p>F</p>  <p>M8 Plastic washer x 8</p>	

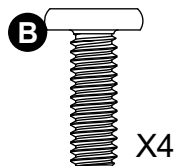
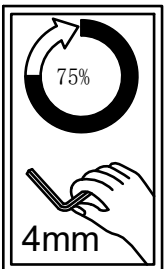
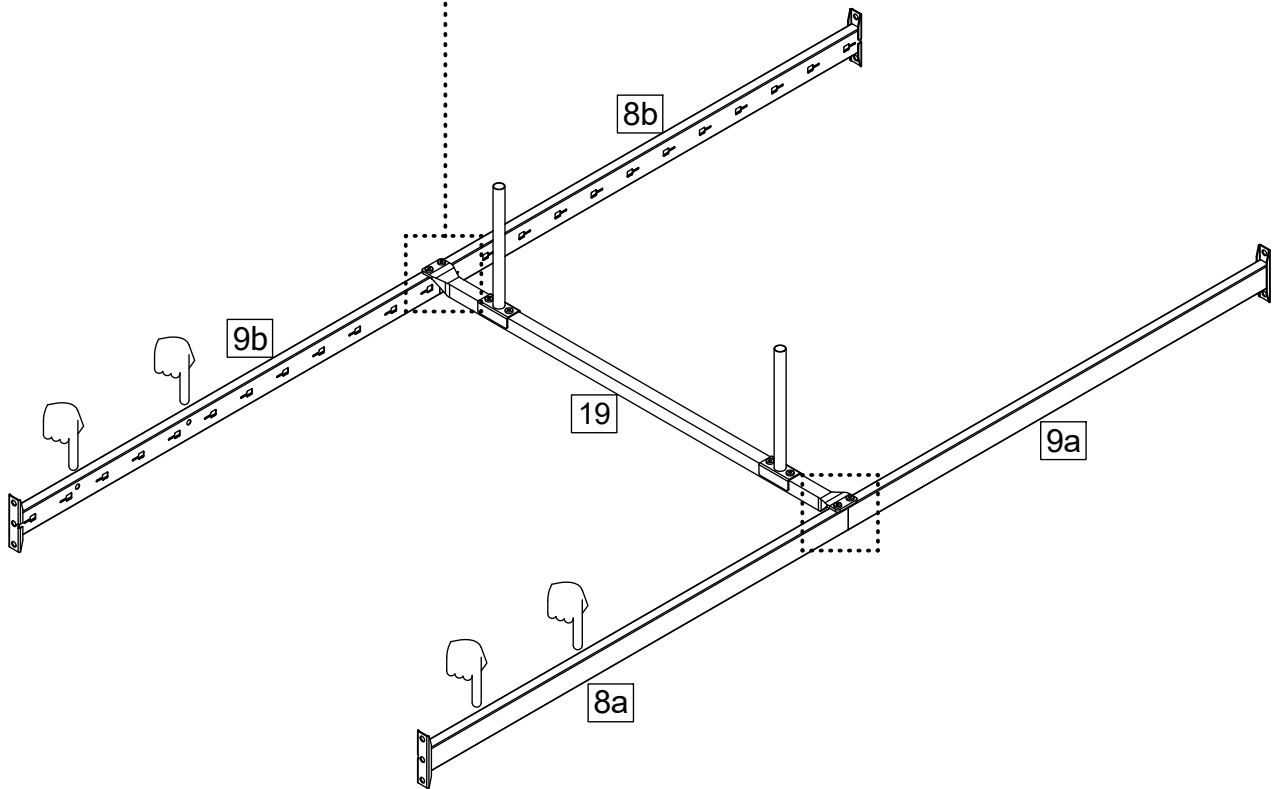
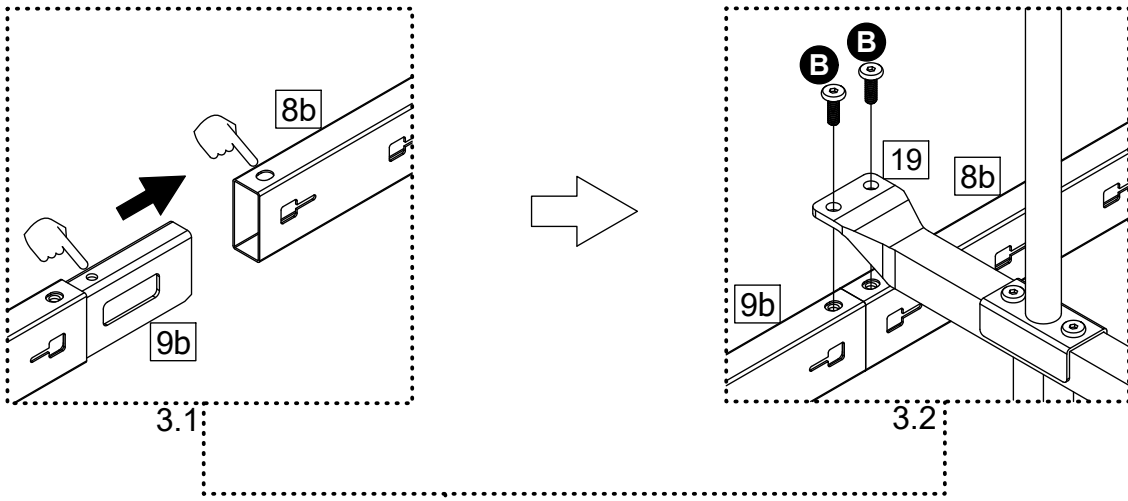
1



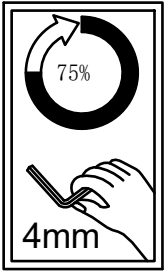
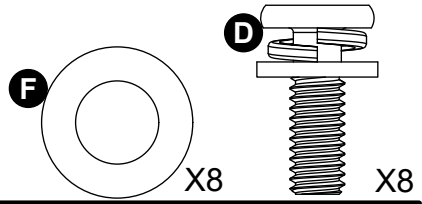
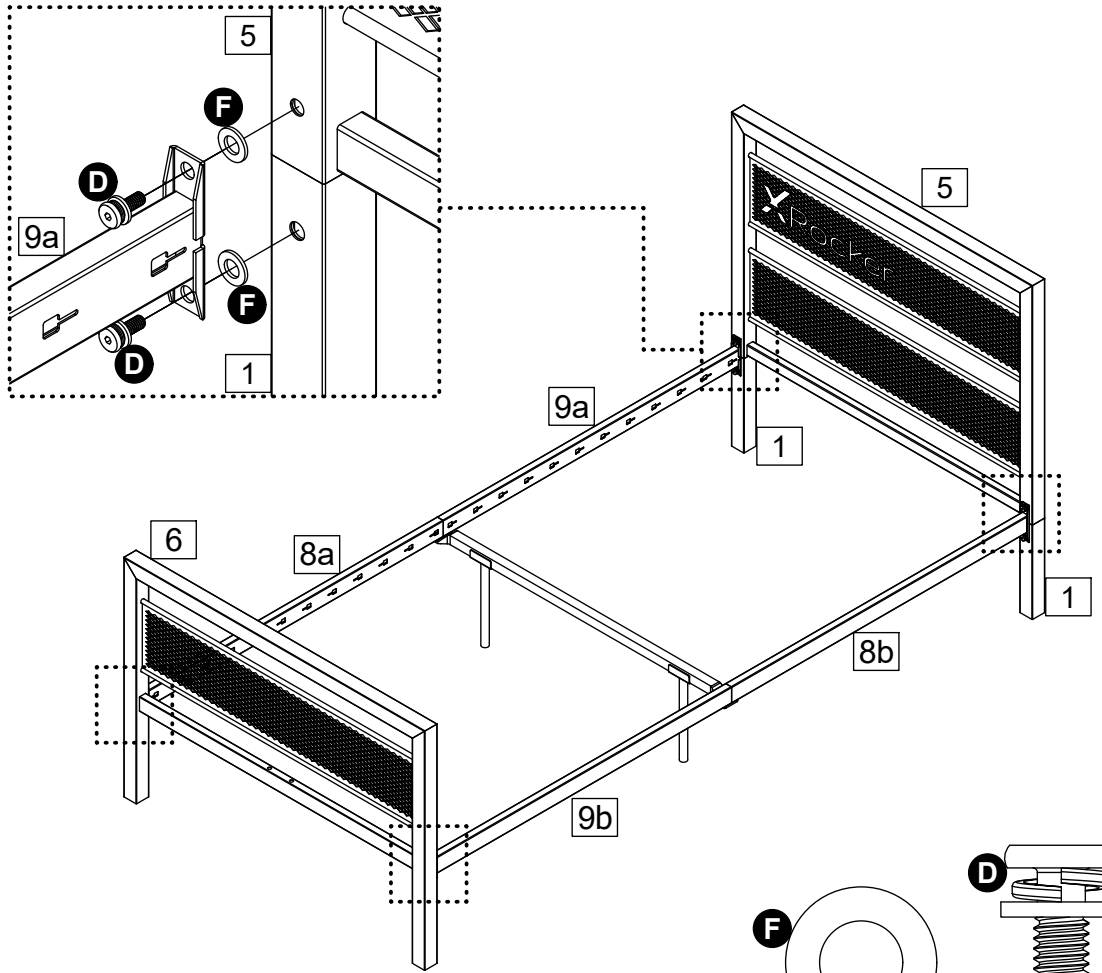
2



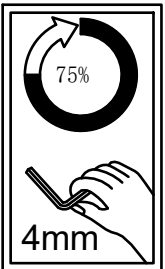
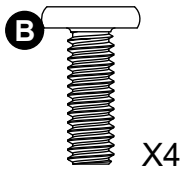
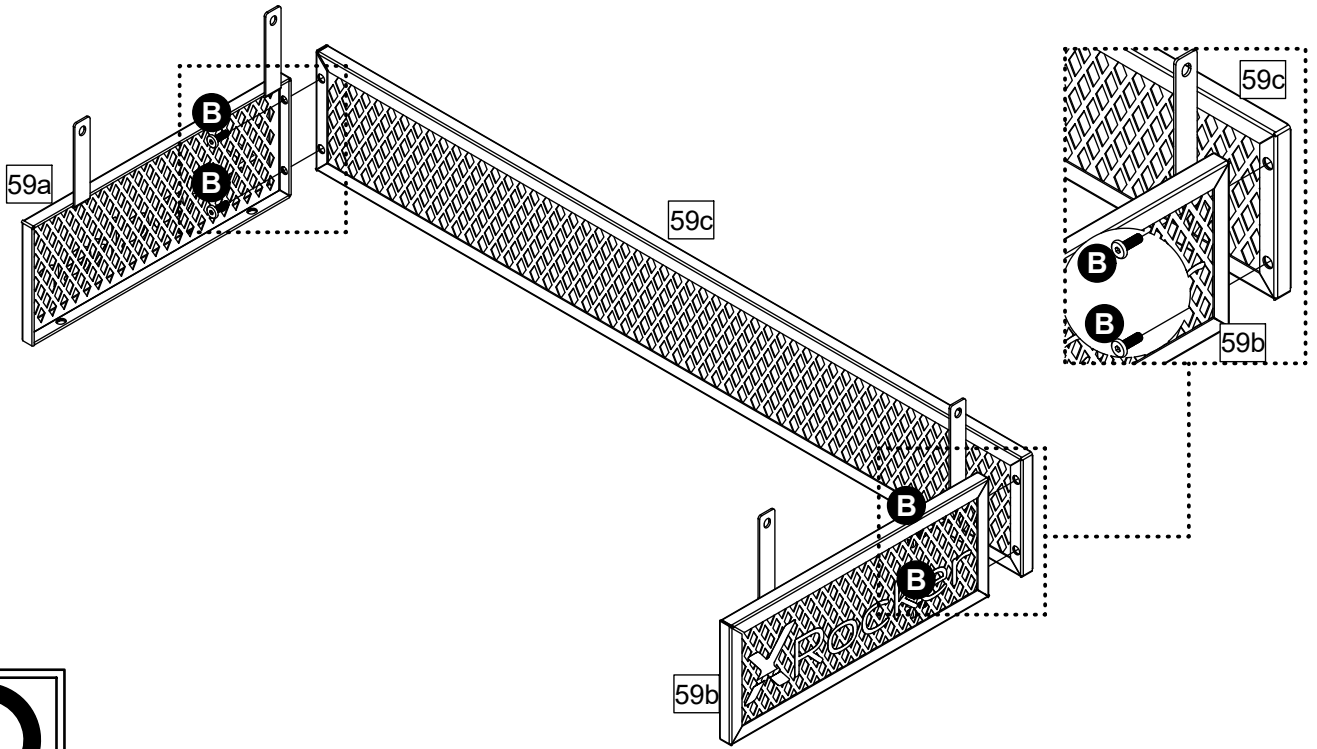
3



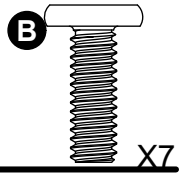
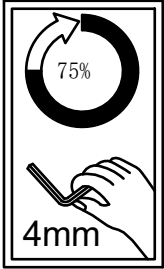
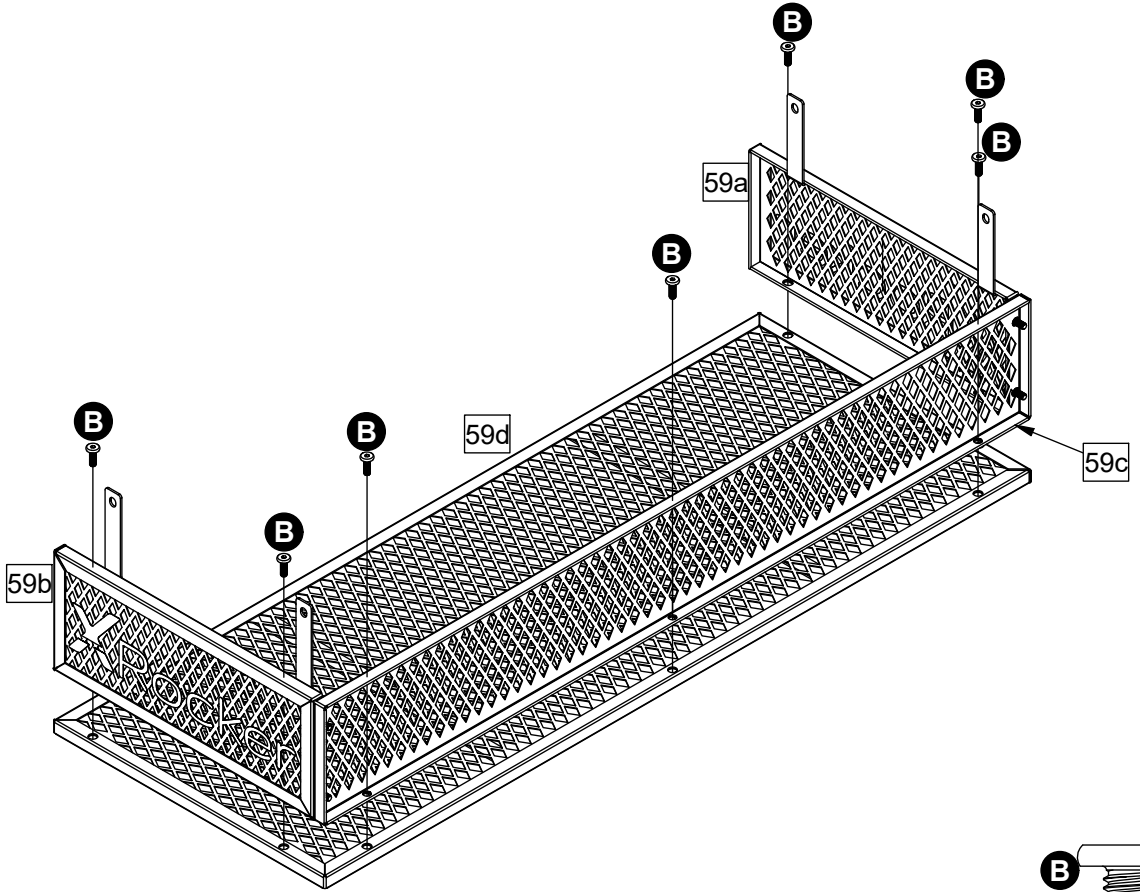
4



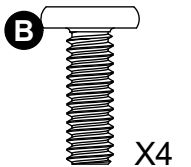
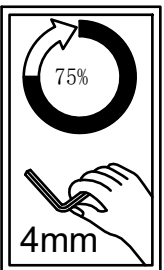
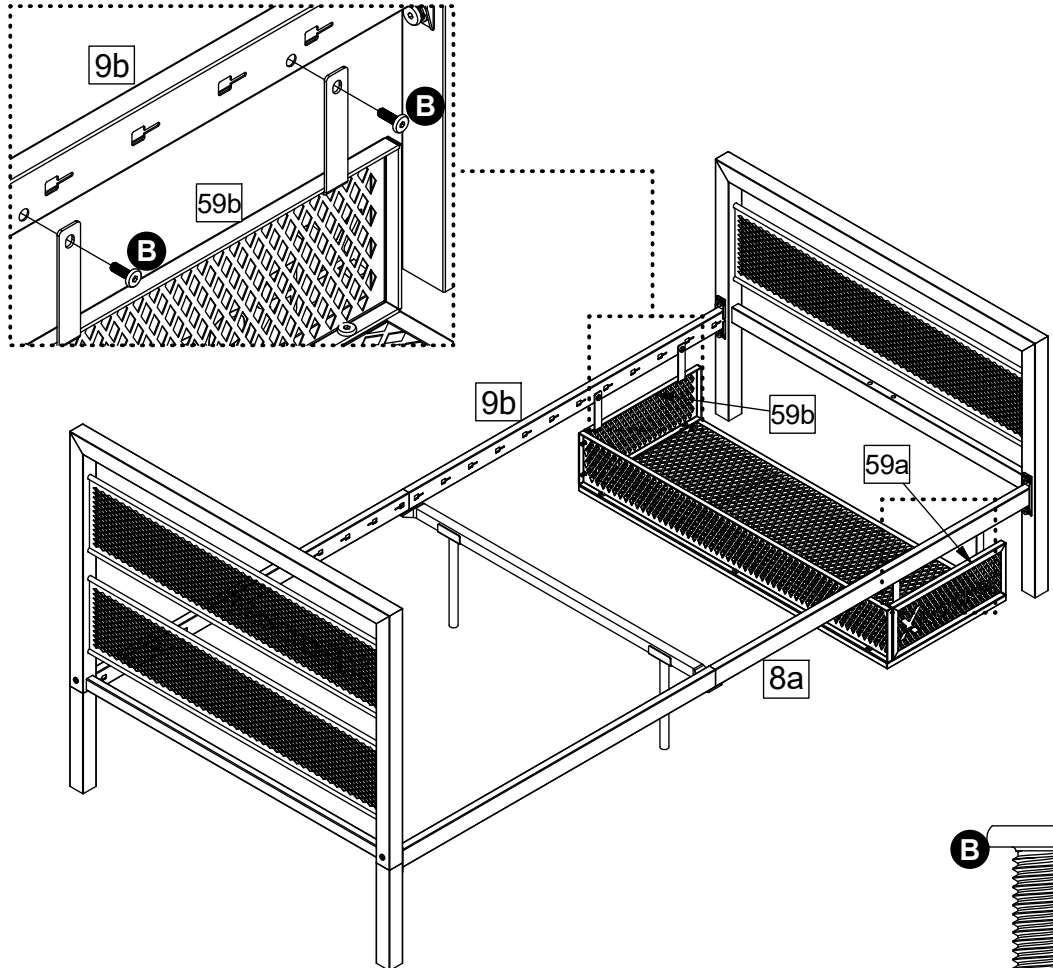
5



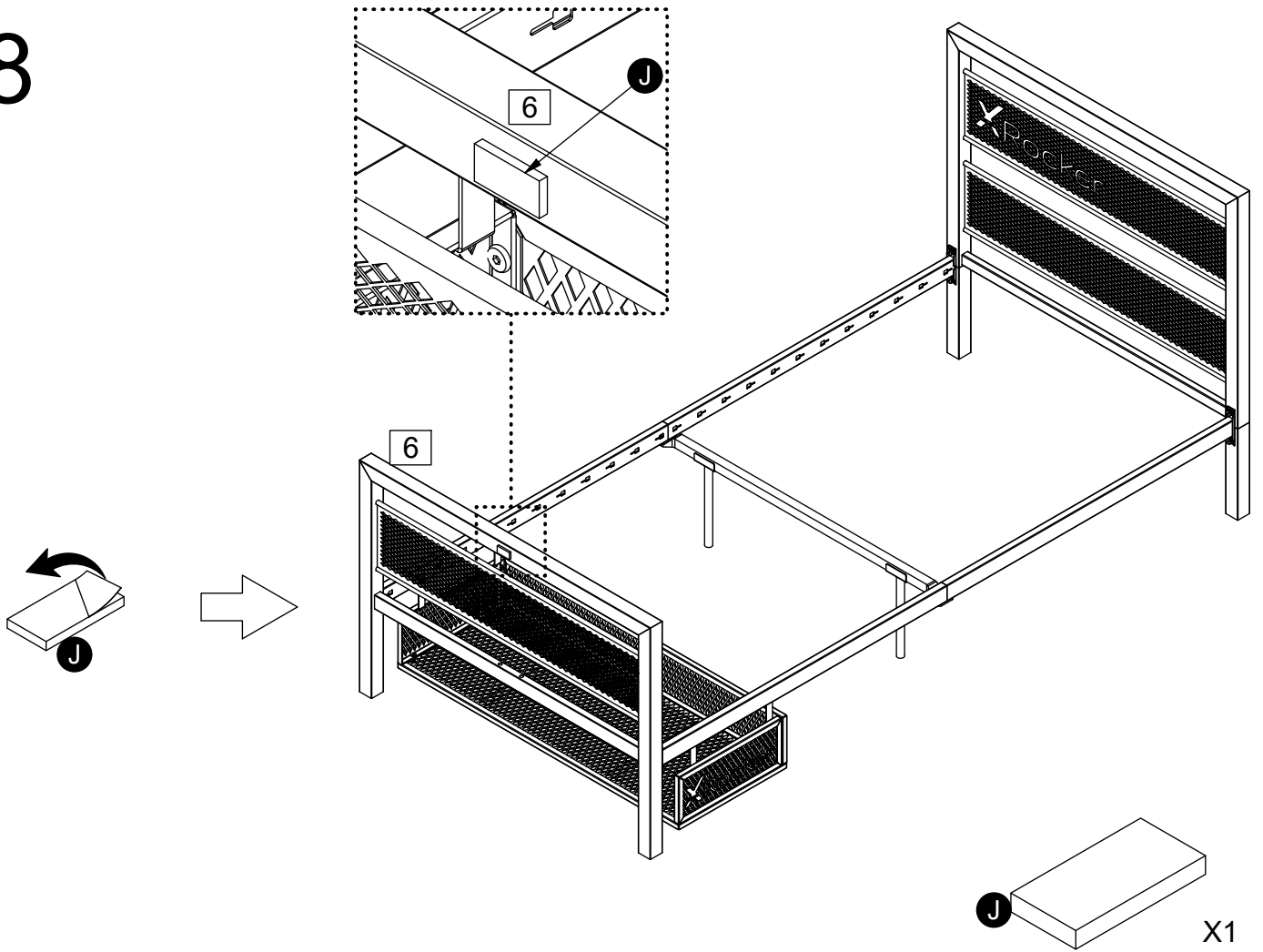
6



7

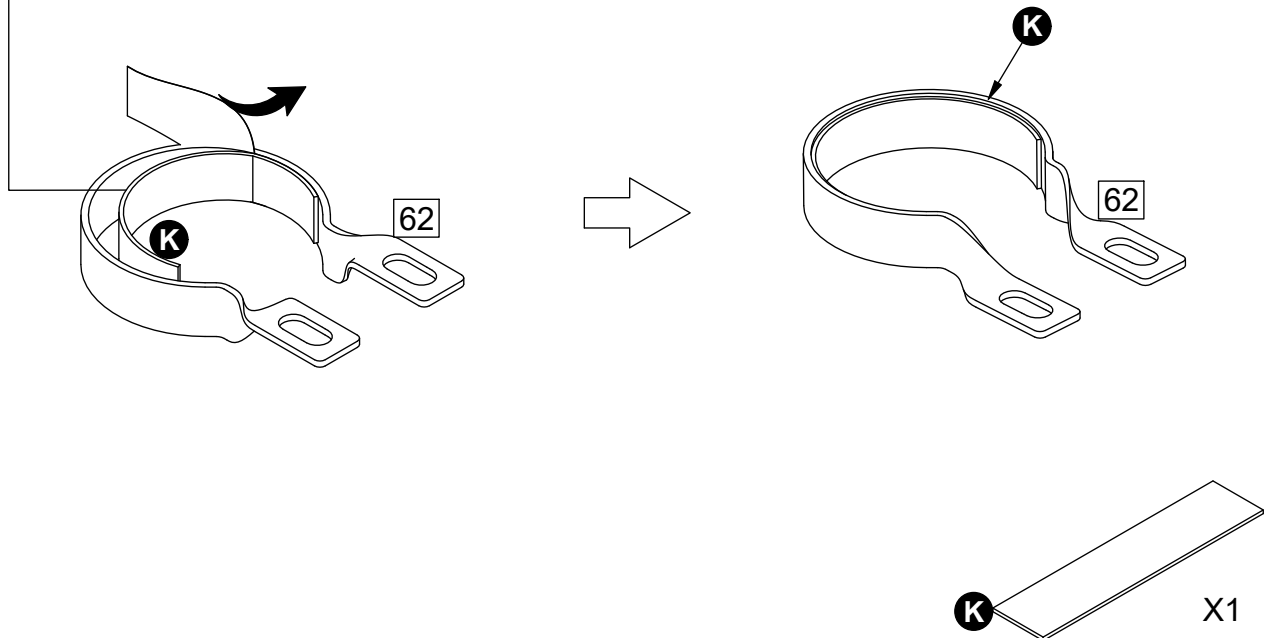


8

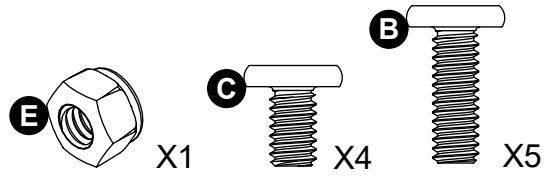
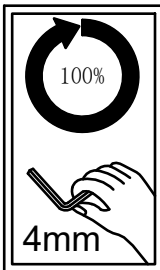
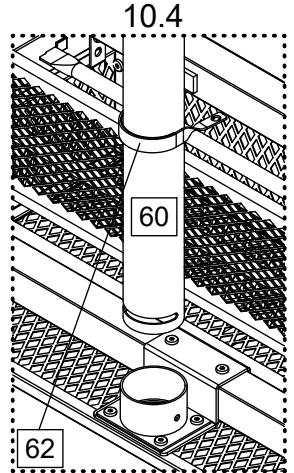
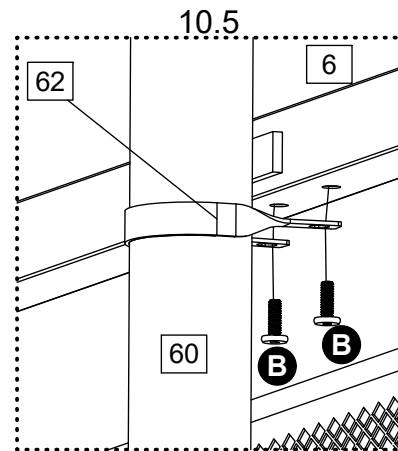
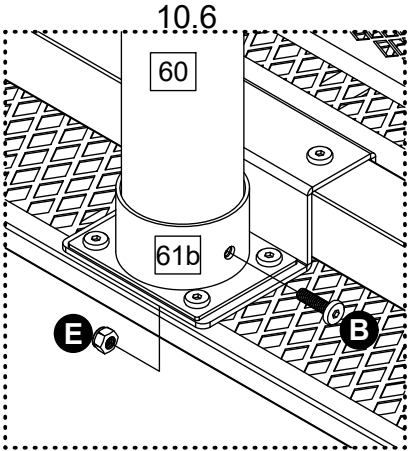
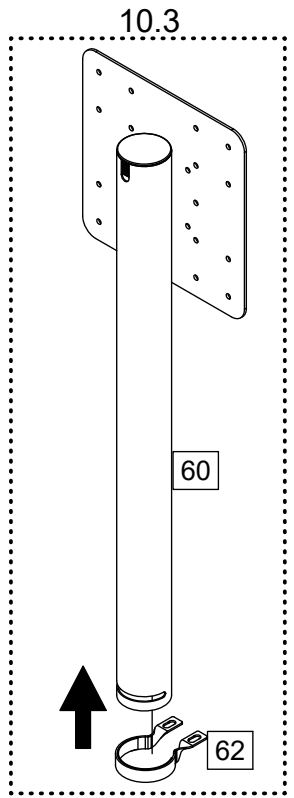
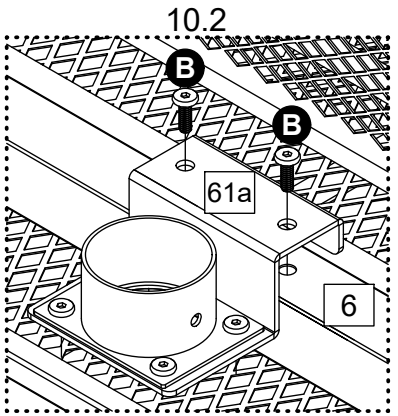
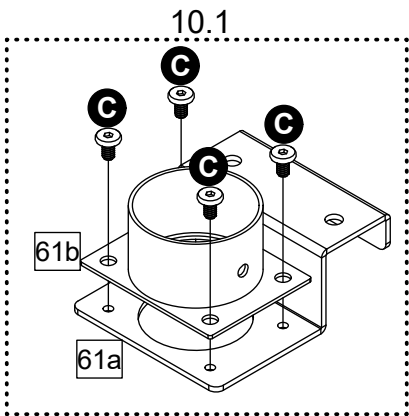
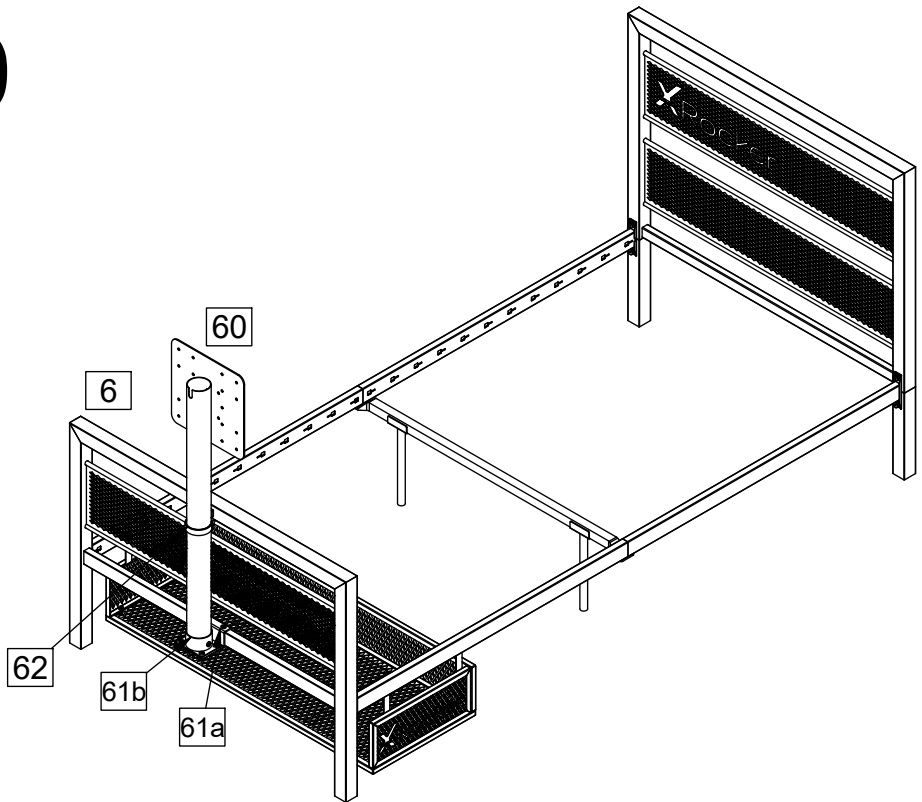


9

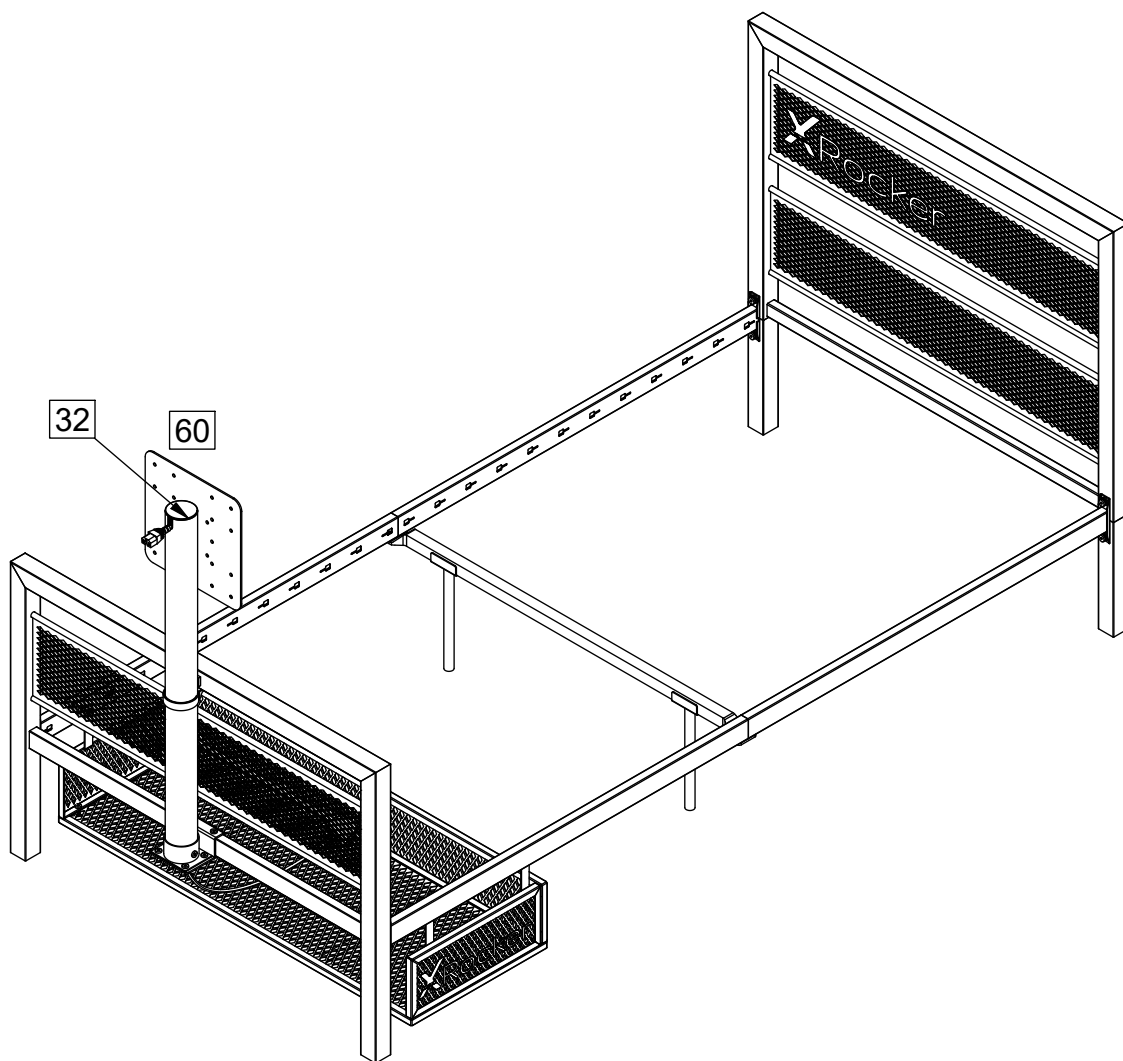
at the middle inside
of buckle.



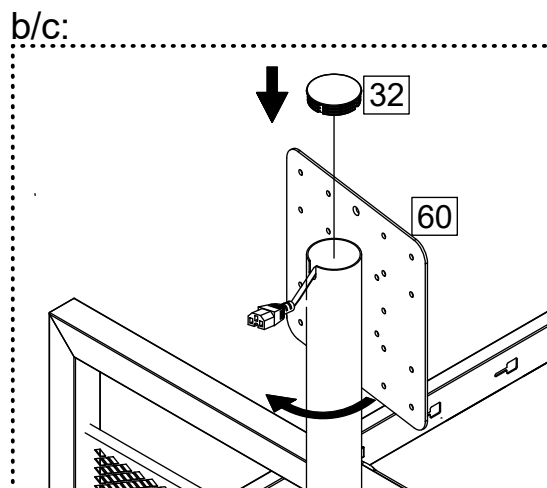
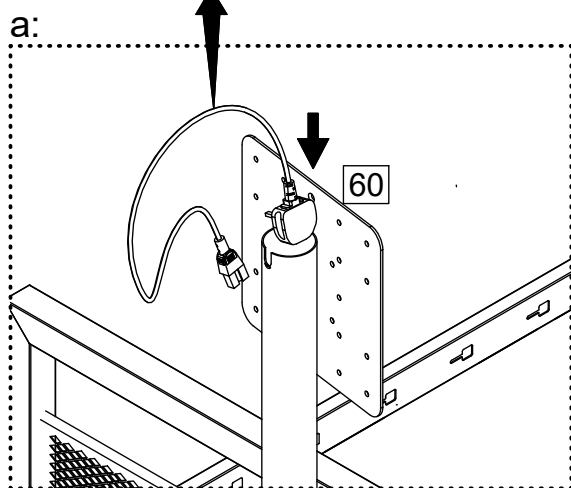
10



11

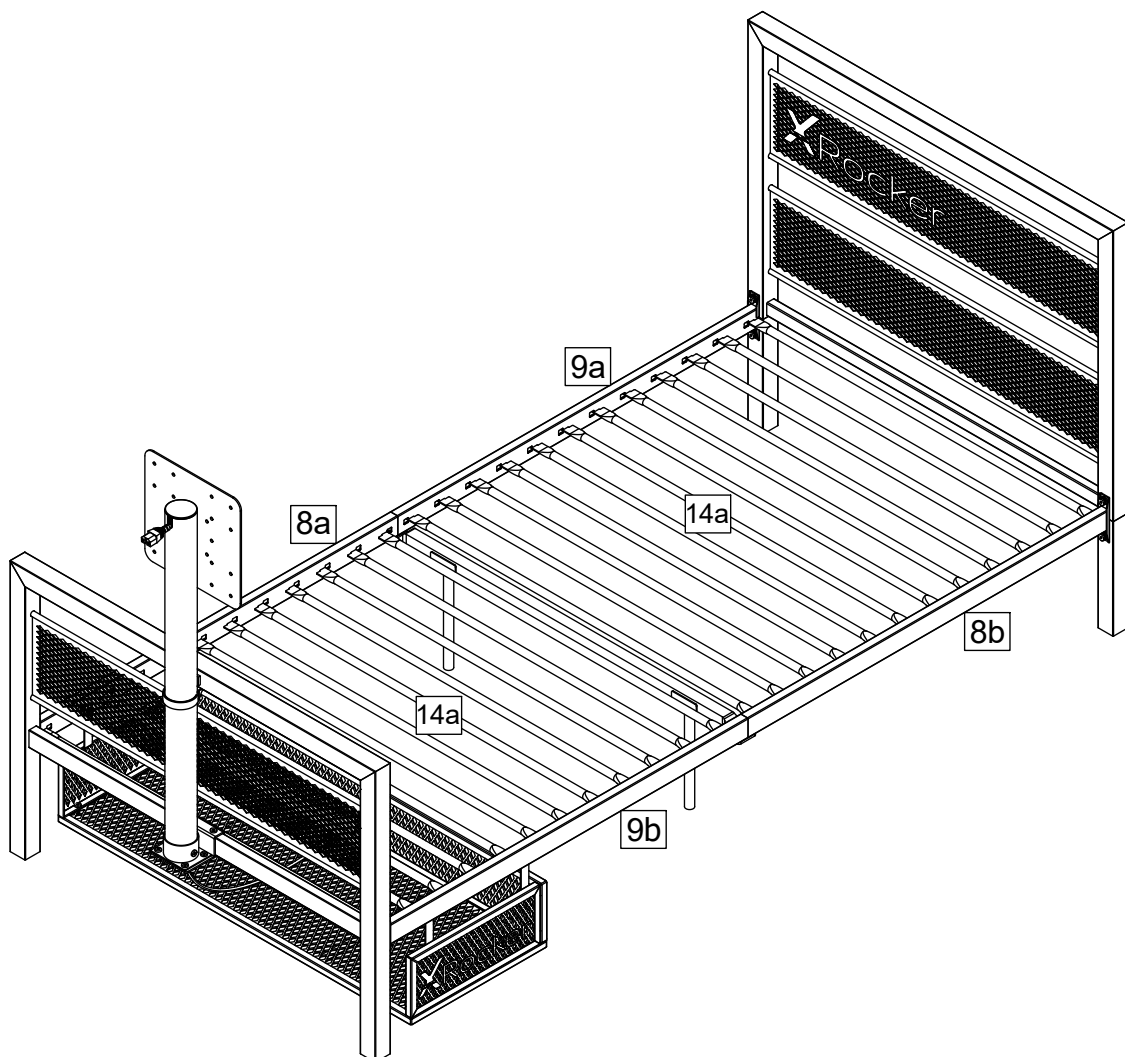
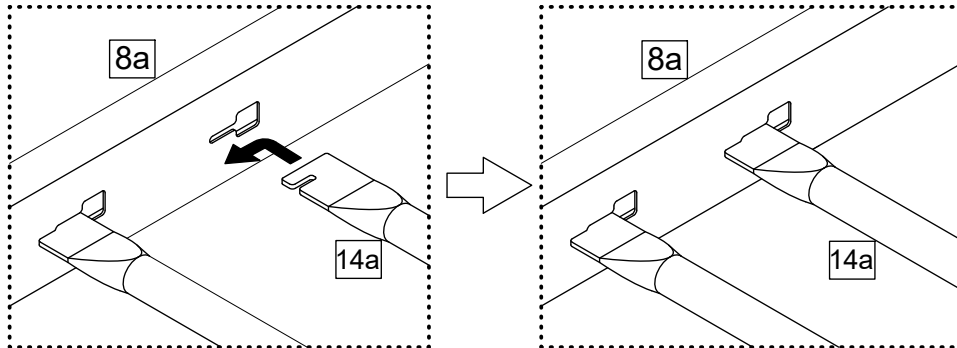


Not provided

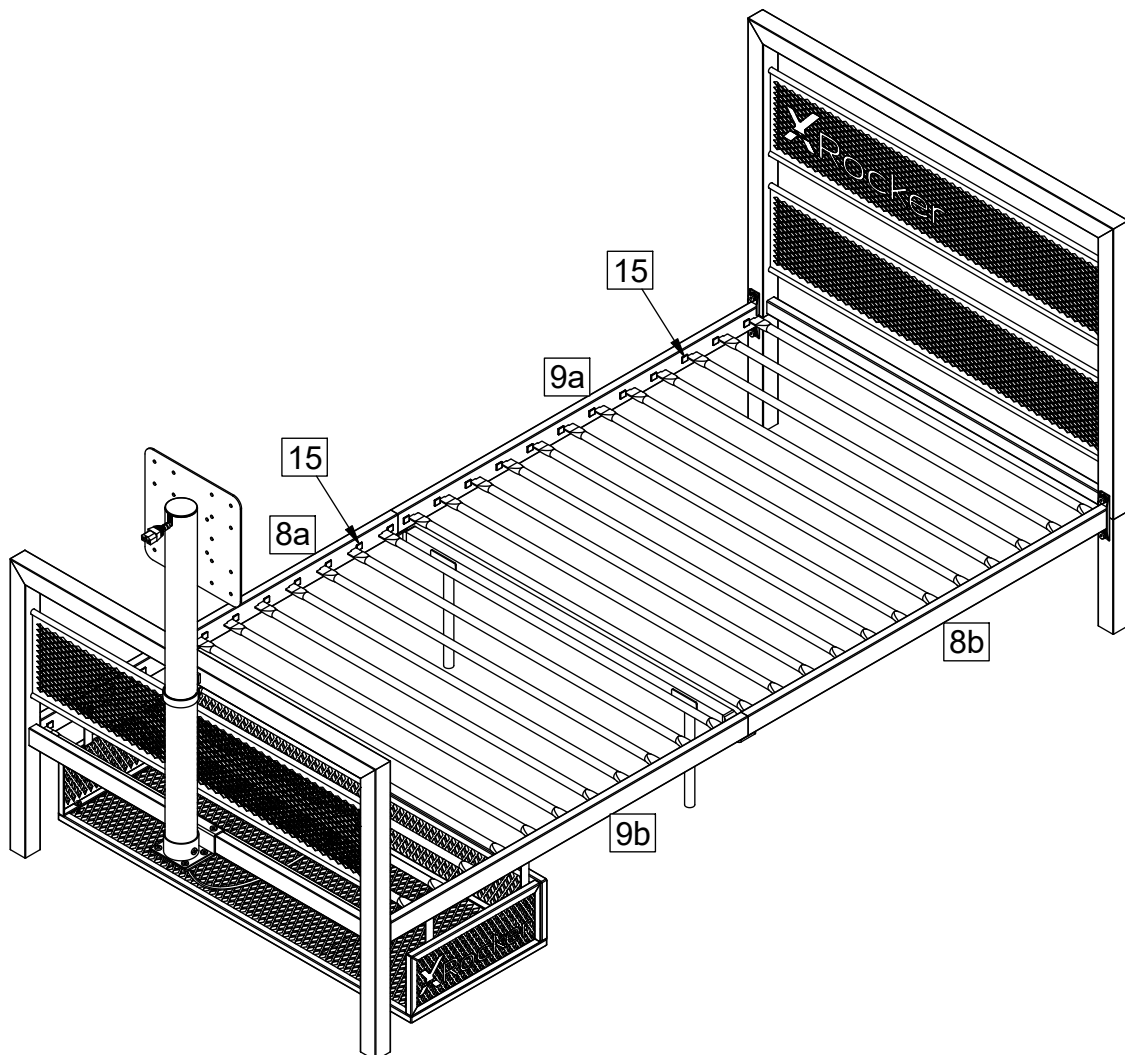
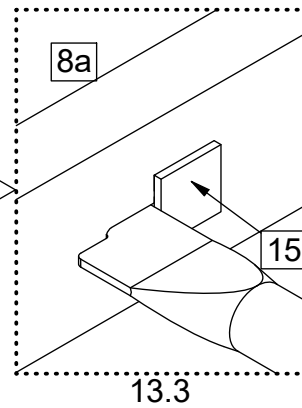
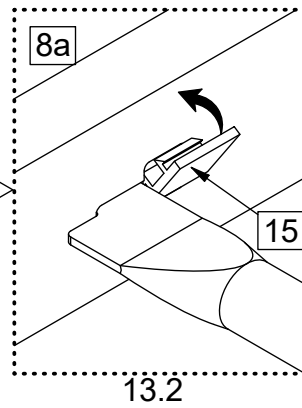
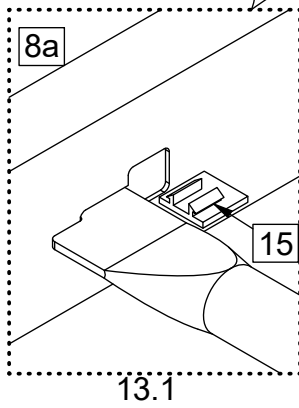
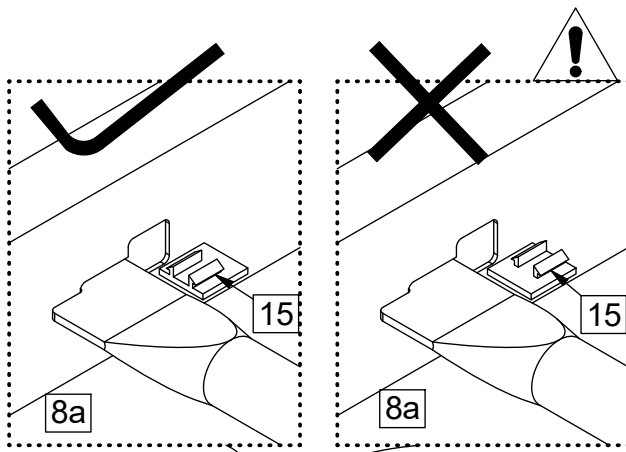


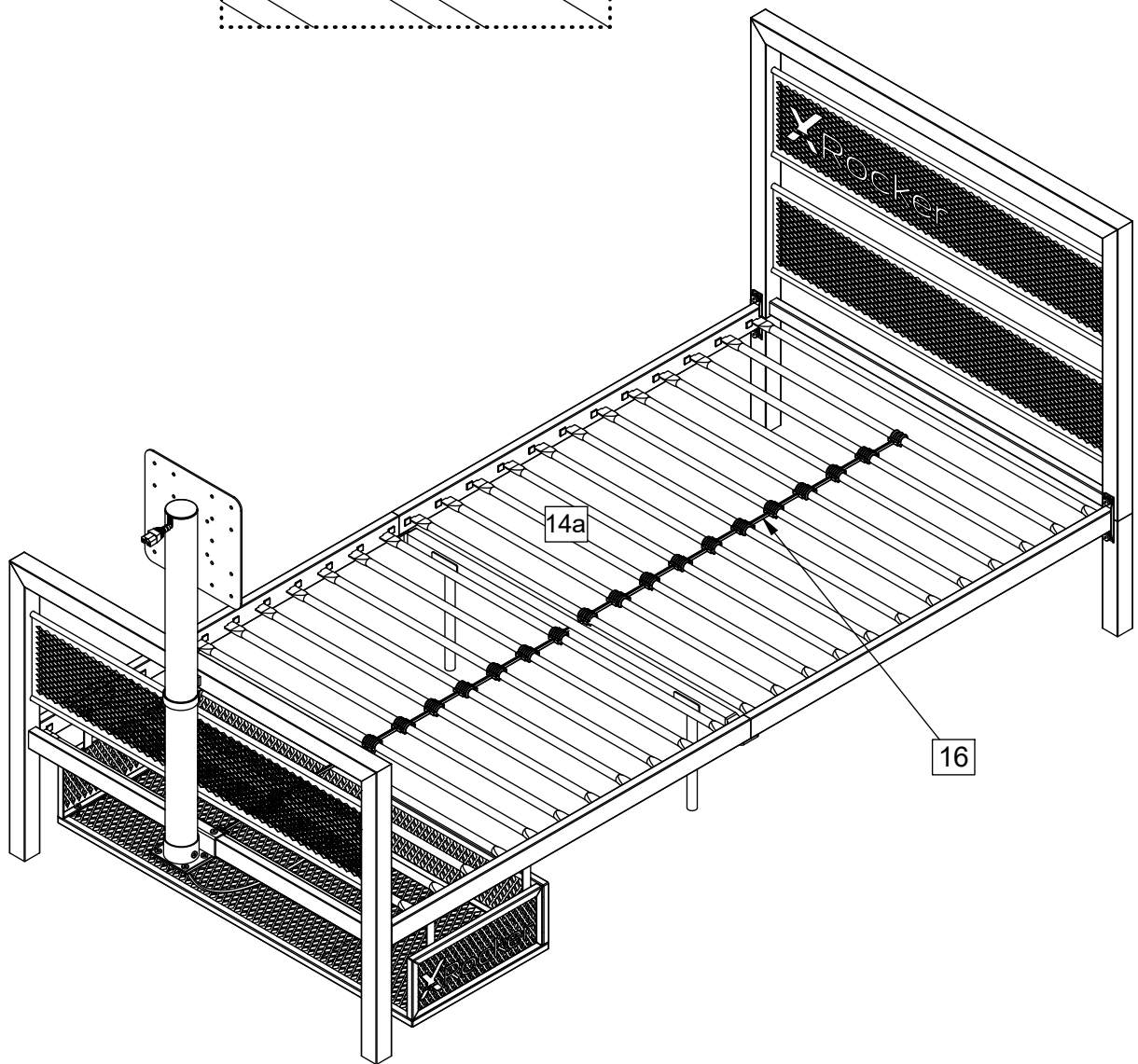
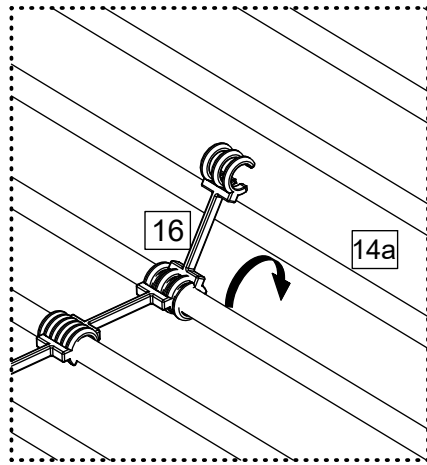
Note 1: The TV mount mates with M6 screw. If you're using M4 screw to assemble the TV screen, please use part G washer as provided to make sure M4 screw could be also workable for it.

Note 2: If the TV pole can't be rotated freely, please loosen Screw **B** in step 10 (10.6) a little. Do not 100% tighten it.

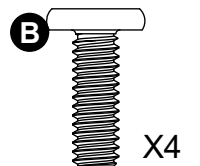
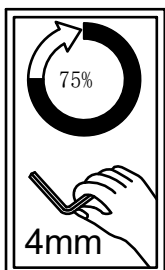
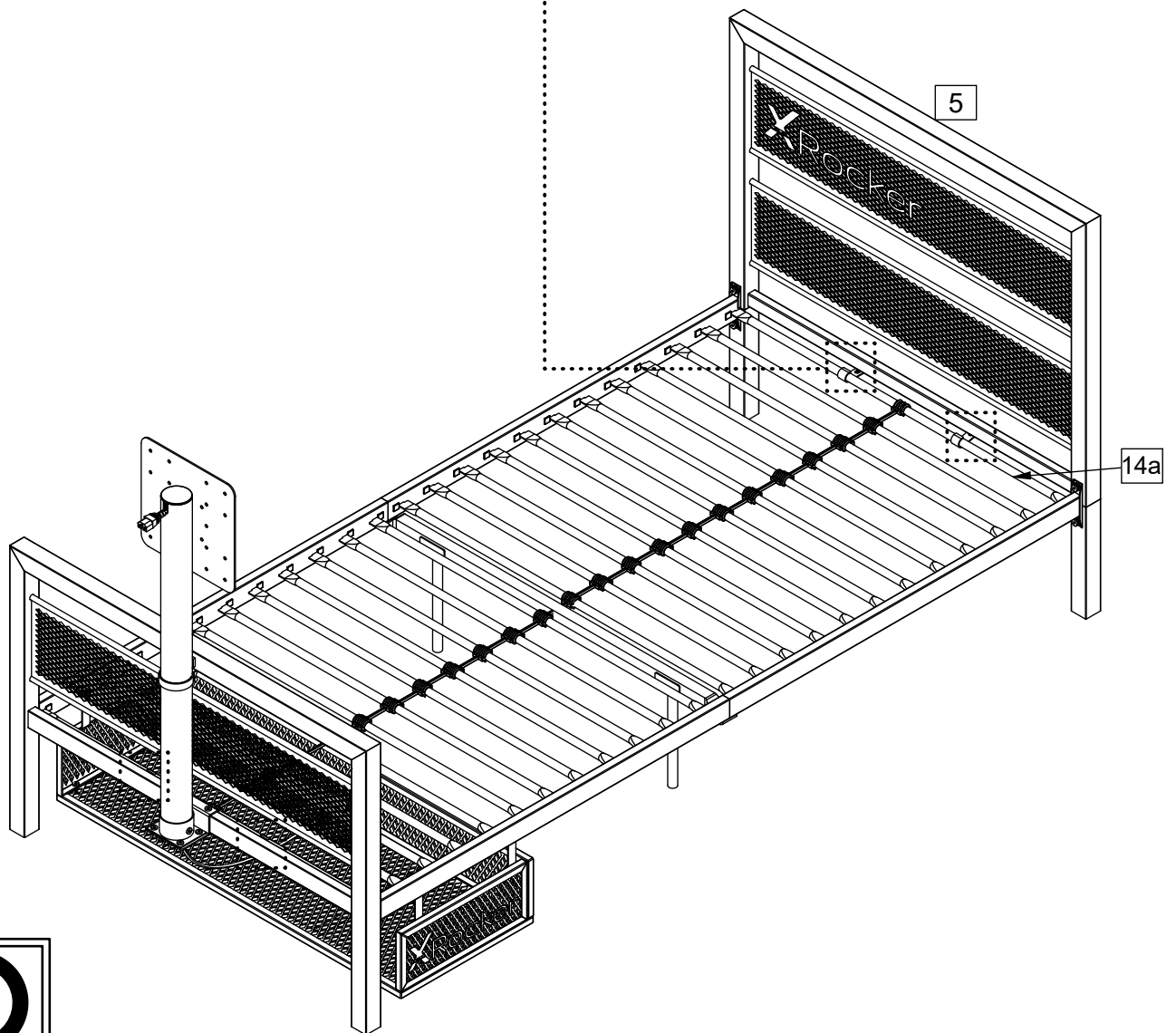
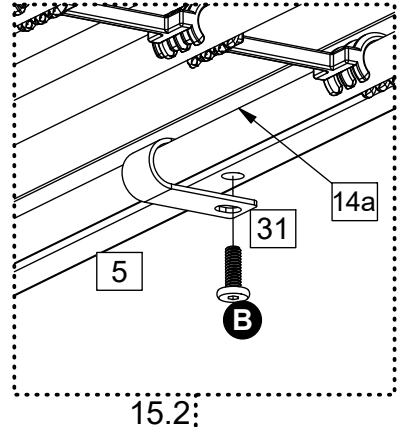
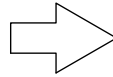
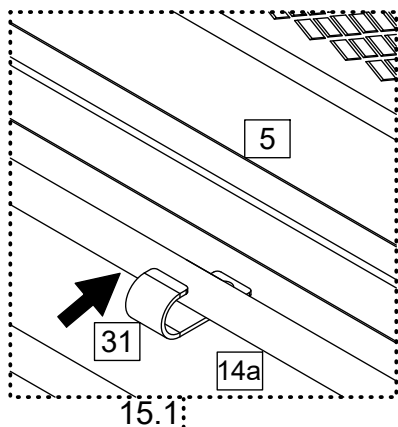


13

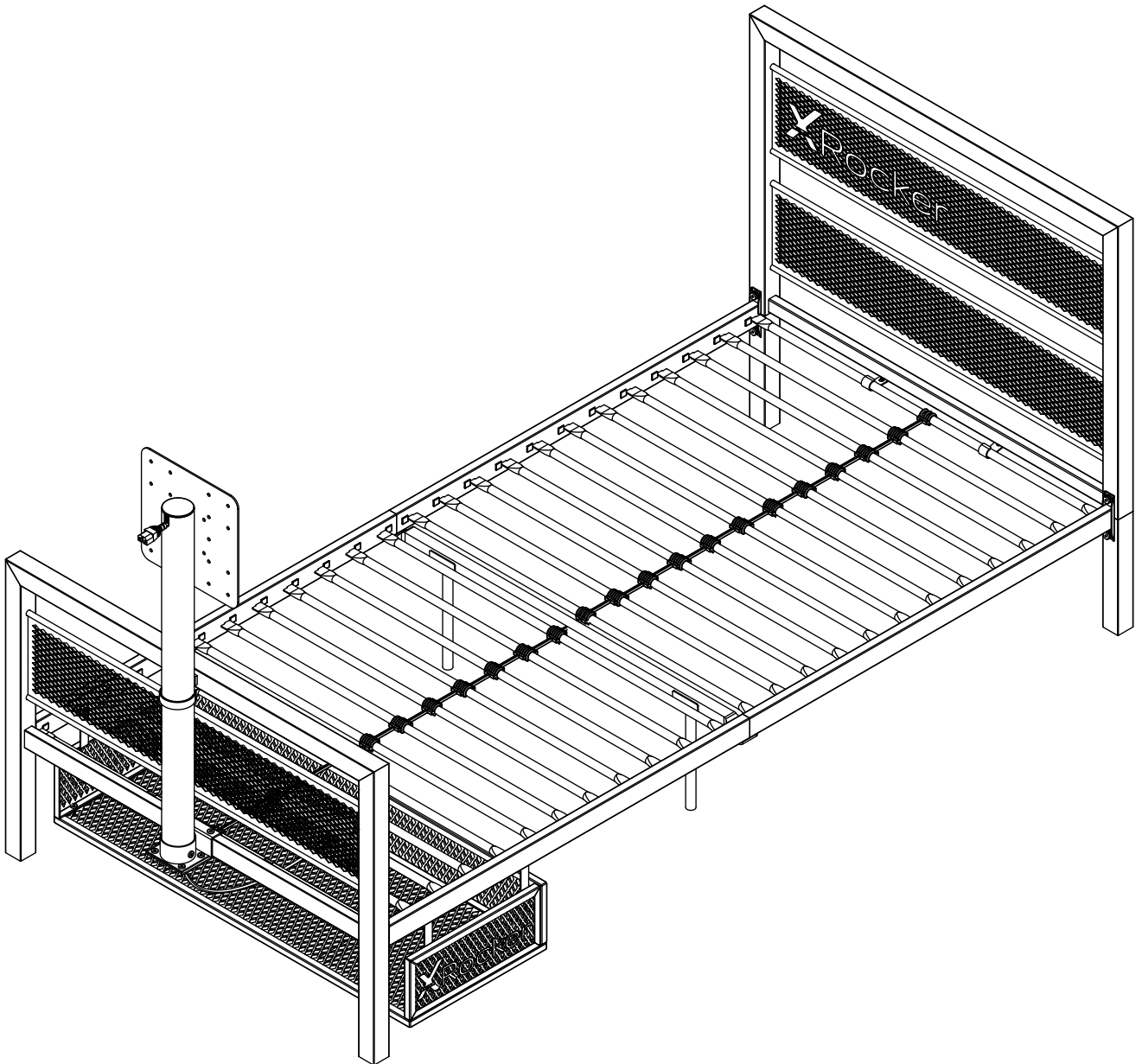




15



16



Assembly is complete

