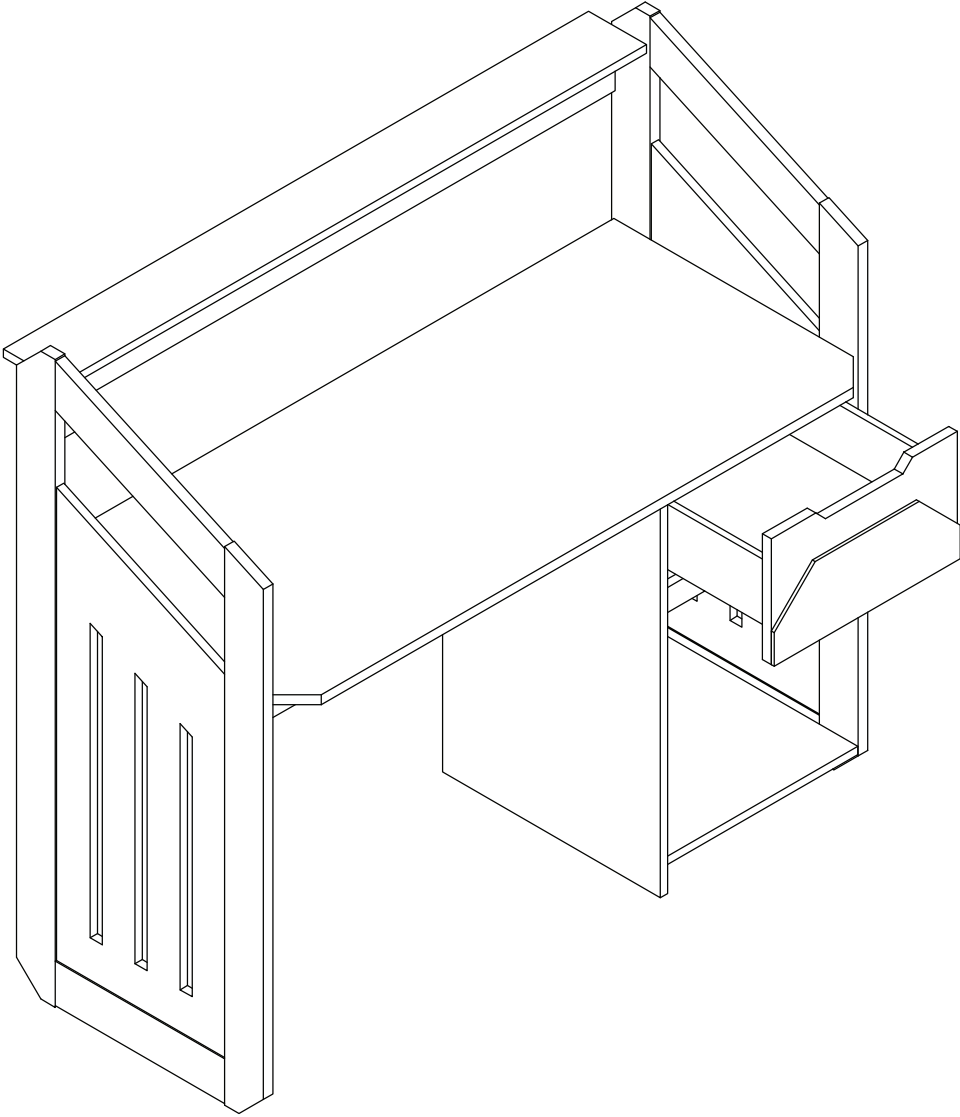


Battalion Desk with Drawer



30 min approx
assembly time



One person
assembly

Dreams

Thank you

Hello, thanks for choosing to purchase your furniture from Dreams - you're now on your way to creating a functional and fabulous room. Before you begin building your furniture, please take a moment to read through the instructions and make sure that you've got all the relevant parts listed on the following pages.



Assembly tips

Before you begin, it's best to identify all parts and fittings to build your furniture. We advise laying these out on the floor to check you have everything, and familiarising yourself before building.



Top tip

We recommend that you build your new furniture in the room you'd like it to be located - this will help prevent any risk of damage to your newly built furniture whilst moving it.



Safety and care

It's really important to ensure children and animals are kept away from the assembly area, as there are small components used in this bed which could present a choking hazard. All plastic and wrapping materials should also be kept away from children and animals to prevent any risk of suffocation. To keep your little ones busy, there is a colouring page inside the back cover.



Help and support

At Dreams, it's our mission to give the whole nation a great night's sleep - this means that the quality of our products is of utmost importance to us. If there are any issues with your product or any missing parts, please visit our website at www.dreams.co.uk/help



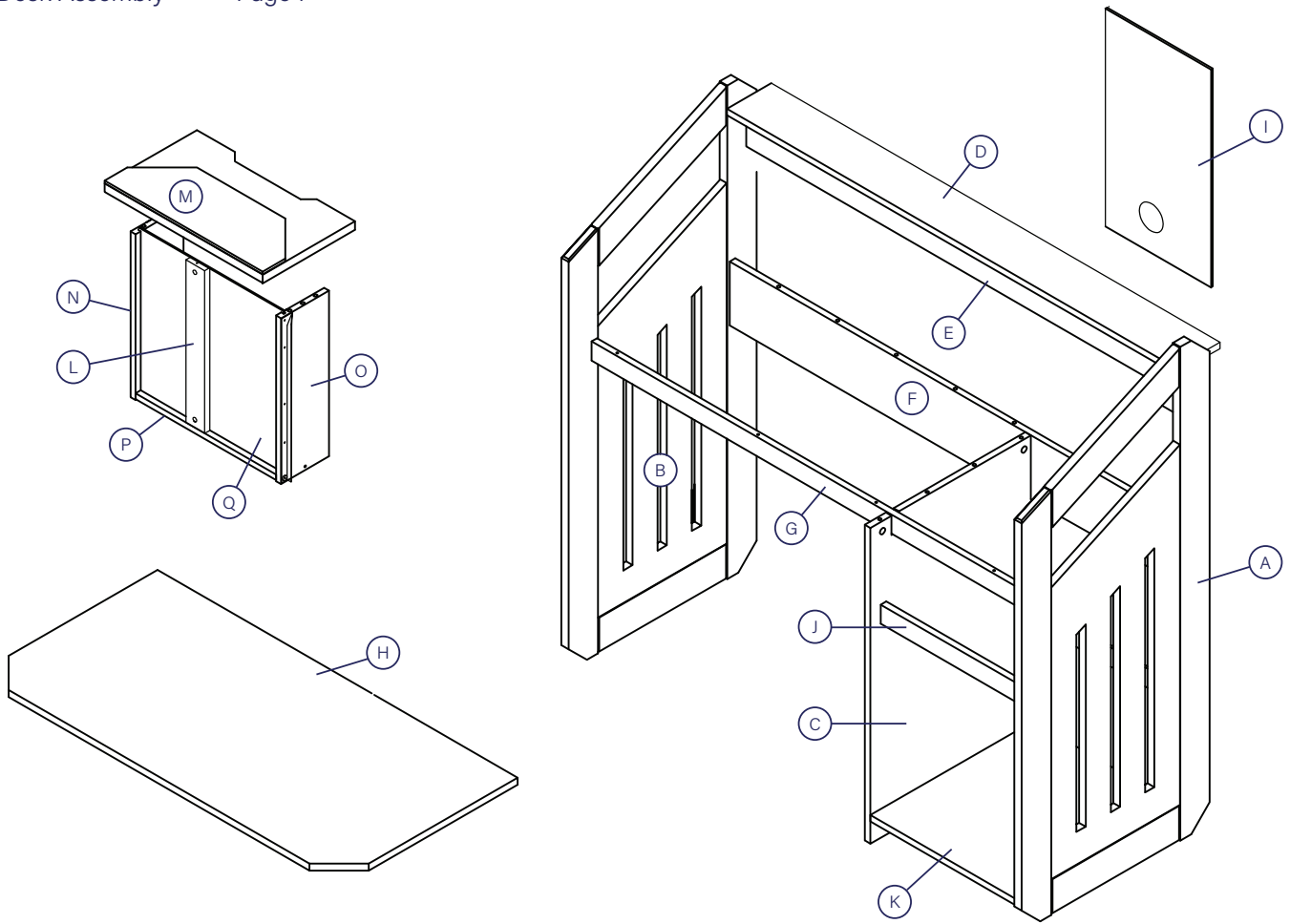
Recycling

As part of our zero to landfill policy, we're more than happy to collect and recycle your old bed or mattress, ensuring no part goes to waste. We will also take away all your packaging for recycling at point of delivery. Please check out our services on www.dreams.co.uk/recycling-services for more information. If you do not want us to do this, please check with your local recycling centre on the best recycling method.

Parts

Important information

Desk Assembly Page 7



Parts list

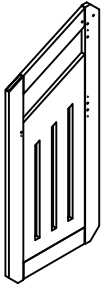
		Qty			Qty
A.	Right Side Panel	1	J.	Front Rail Small	1
B.	Left Side Panel	1	K.	Lower Panel	1
C.	Center Panel	1	L.	Support Rail - Drawer	1
D.	Top Shelf	1	M.	Front Panel - Drawer	1
E.	Middle Shelf	1	N.	Left Side Panel - Drawer	1
F.	Back Shelf Support	1	O.	Right Side Panel - Drawer	1
G.	Front Rail Support	1	P.	Back Panel - Drawer	1
H.	Table Top	1	Q.	Bottom Panel - Drawer	1
I.	Back Panel	1			

Panels

A Right Side Panel x1



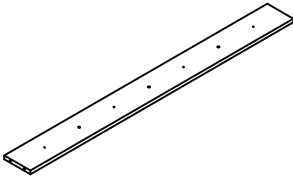
B Left Side Panel x1



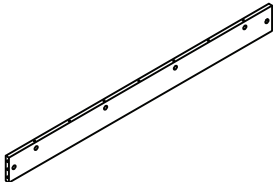
C Center Panel x1



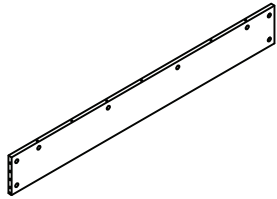
D Top Shelf x1



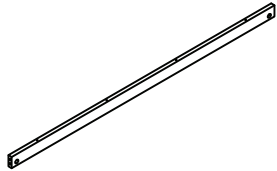
E Middle Shelf x1



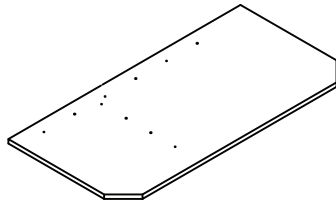
F Back Shelf Support x1



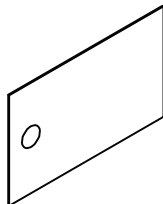
G Front Rail Support x1



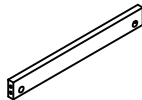
H Table Top x1



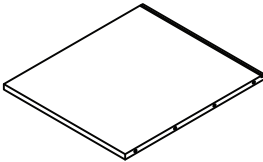
C Back Panel x1



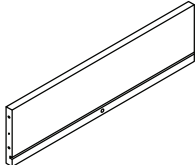
J Front Rail - Small x1



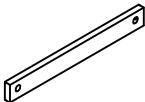
Panels



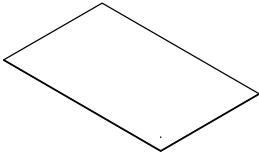
K Lower Panel x1



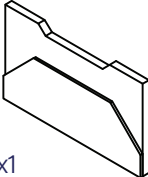
P Back Panel - Drawer x1



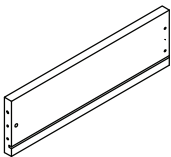
L Support Rail - Drawer x1



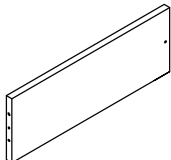
Q Bottom Panel - Drawer x1



M Front Panel - Drawer x1



N Left Side Panel - Drawer x1



O Right Side Panel - Drawer x1

Fittings (Box 1)

Please check you have all the parts listed below with your product:

- 

30 pcs

Minifix Bolt 32mm
- 

26 pcs

Minifix Cam 15x12mm
- 

4 pcs

Minifix Cam 12x10mm
- 

16 pcs

Wood Screw 3.5x12mm
- 

2 pcs

Wood Screw 4.0x28mm
- 

4 pcs

Wood Screw 4.0x50mm
- 

26 pcs

Wood Dowel Ø8x30mm
- 

8 pcs

Wood Dowel Ø6x30mm
- 

1 pair

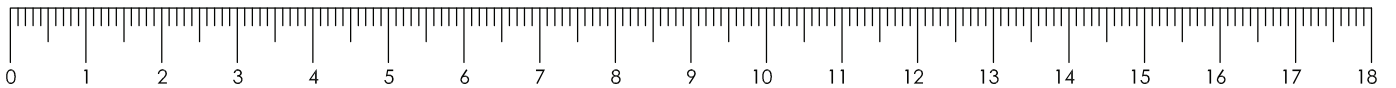
Outside Drawer Slide
- 

1 pair

Inside Drawer Slide
- 

4 pcs

Buckle for Back Panel



Tools required

Please check you have all these below:

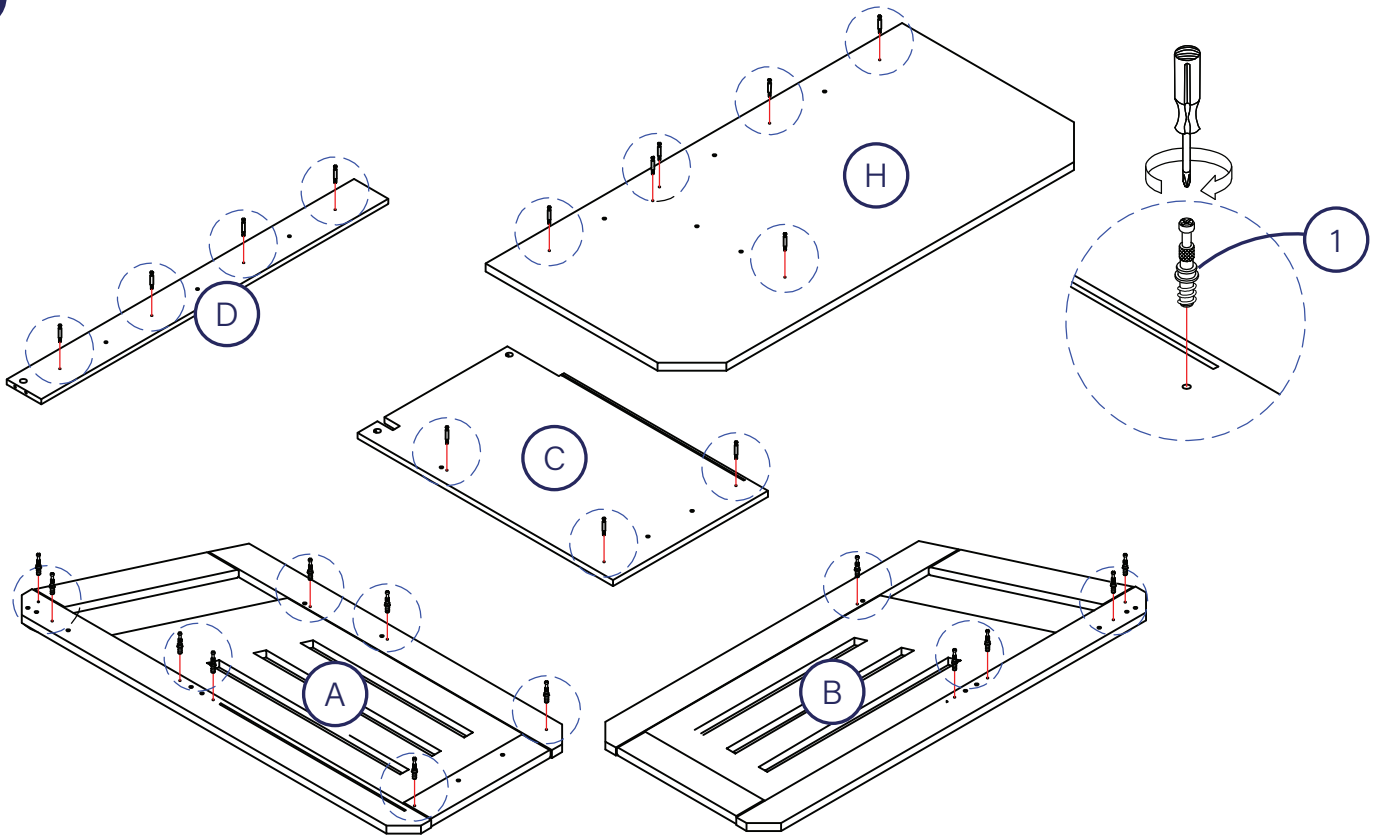




Flathead screwdriver



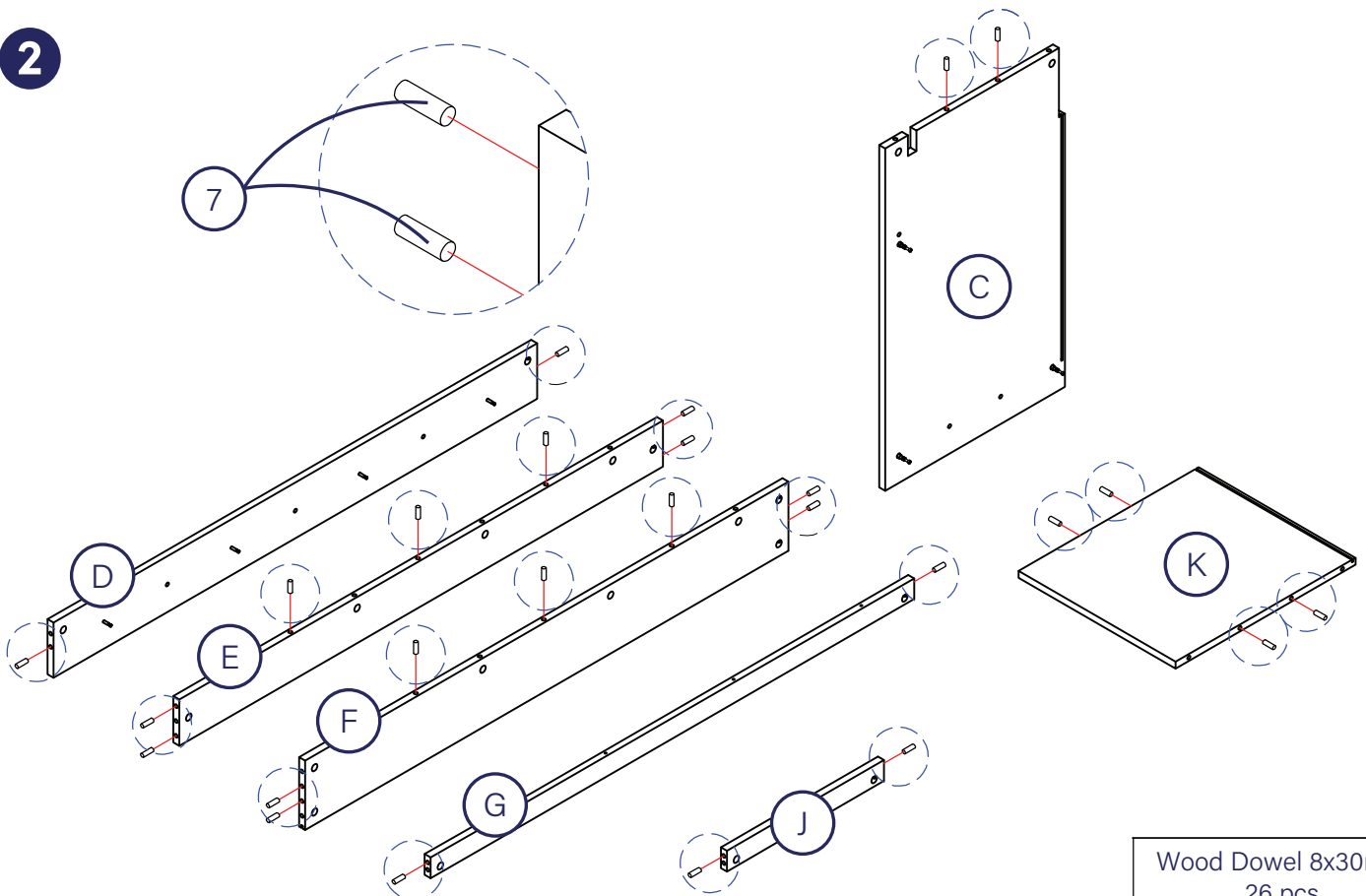
Cross head screwdriver


1



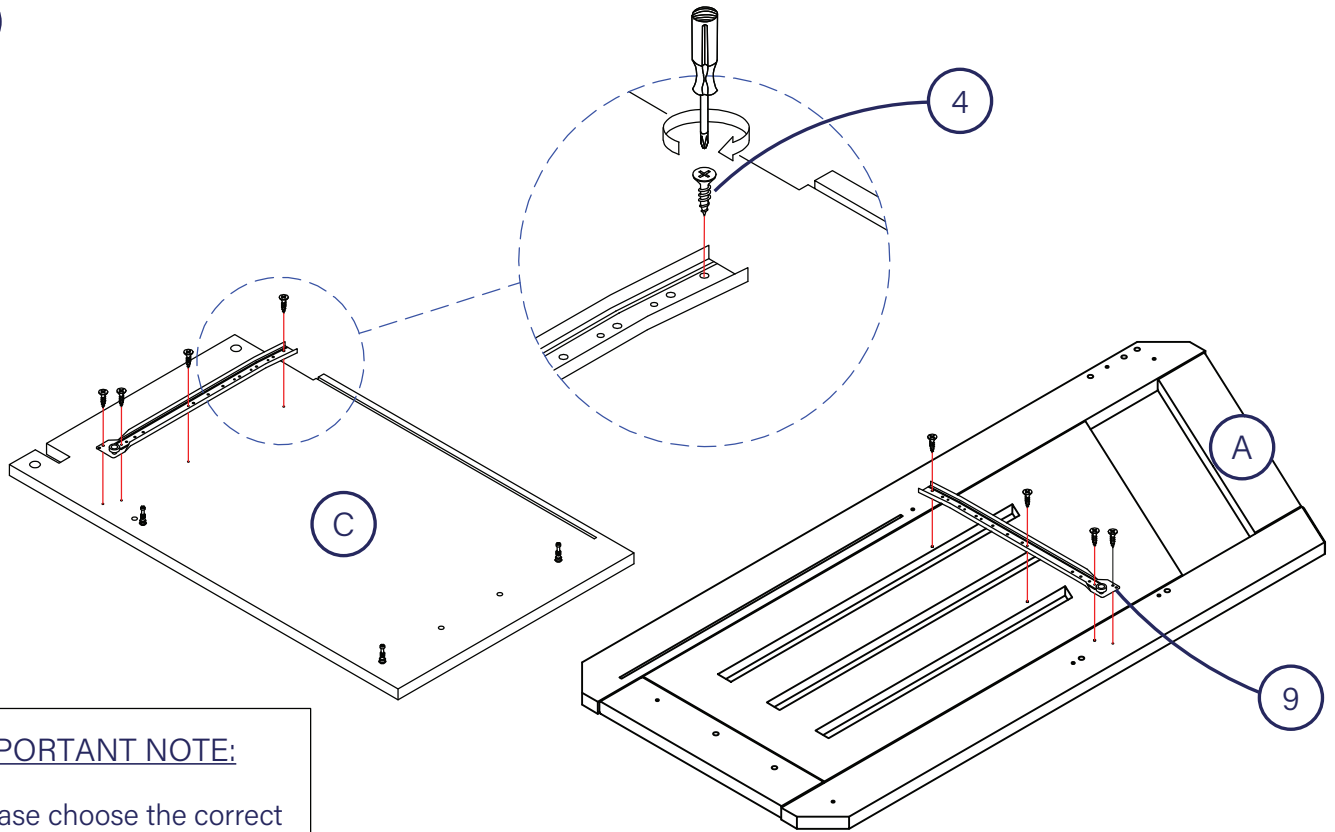
	Minifix Bolt 32mm 26 pcs	*Screw Driver Not Included
①		

2



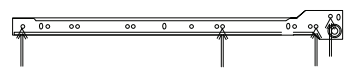
	Wood Dowel 8x30mm 26 pcs
⑦	

3



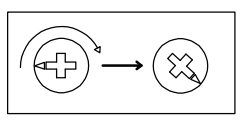
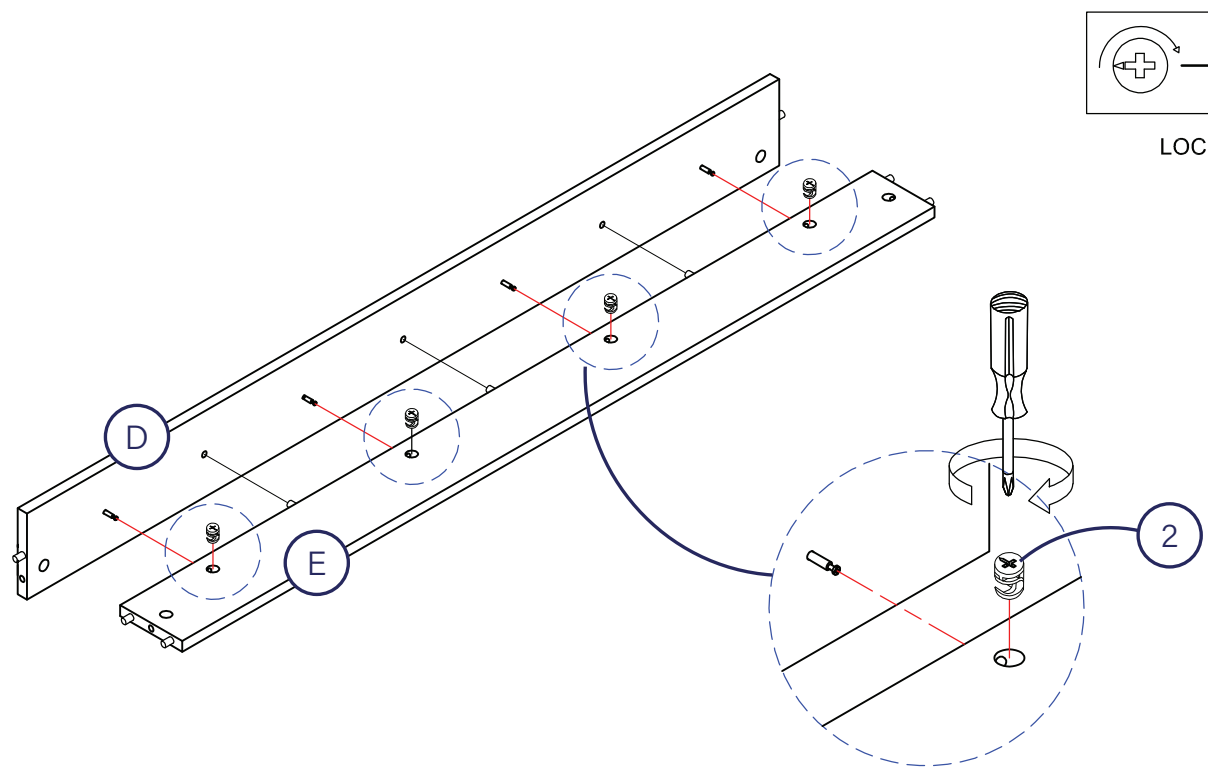
IMPORTANT NOTE:

Please choose the correct screw hole before fitting the drawer runner.



Outside Drawer Slide 1 pair	Wood Screw 3.5x12mm 8 pcs	*Screw Driver Not Included

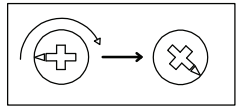
4



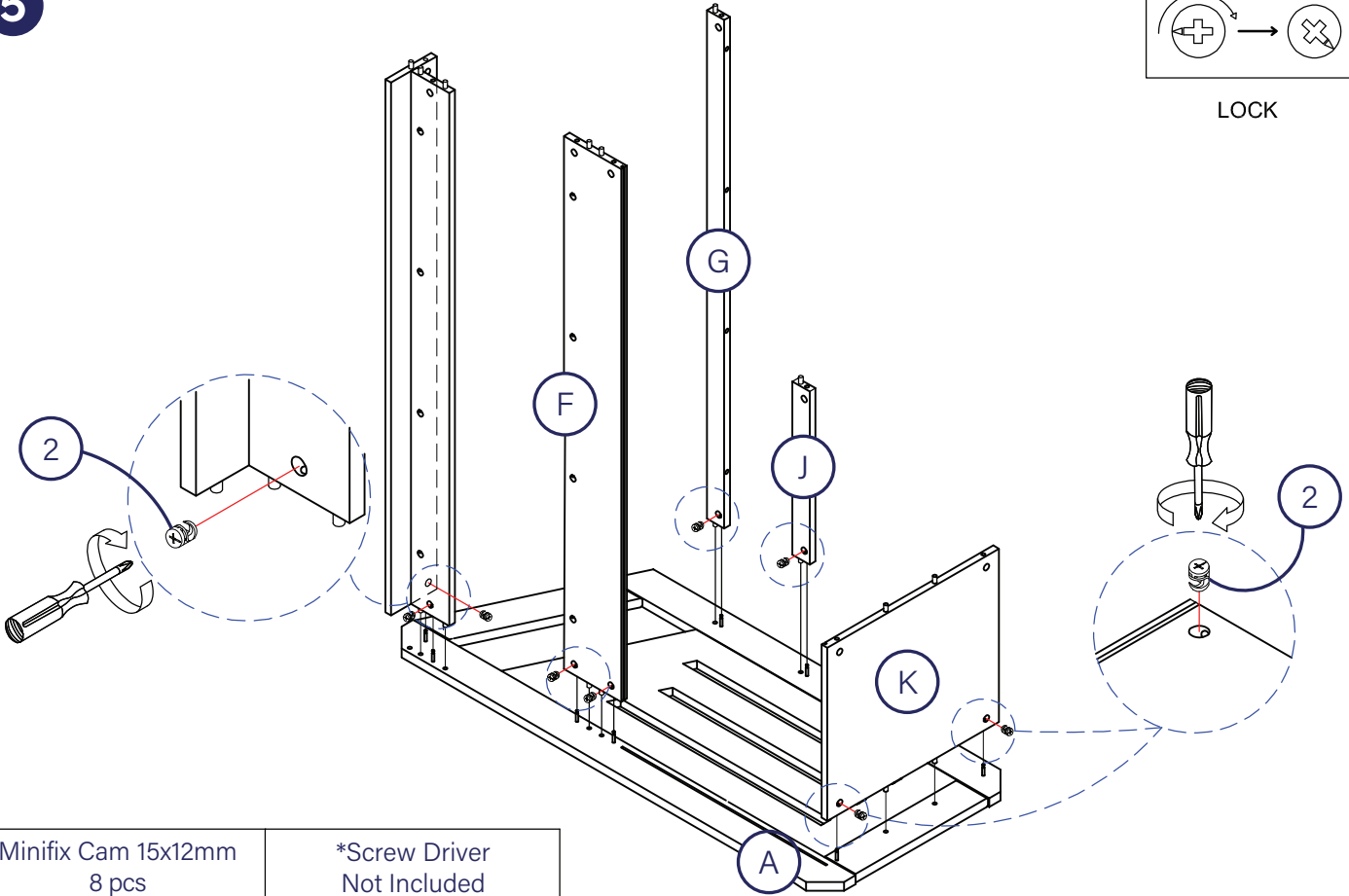
LOCK

Minifix Cam 15x12mm 4 pcs	*Screw Driver Not Included

5

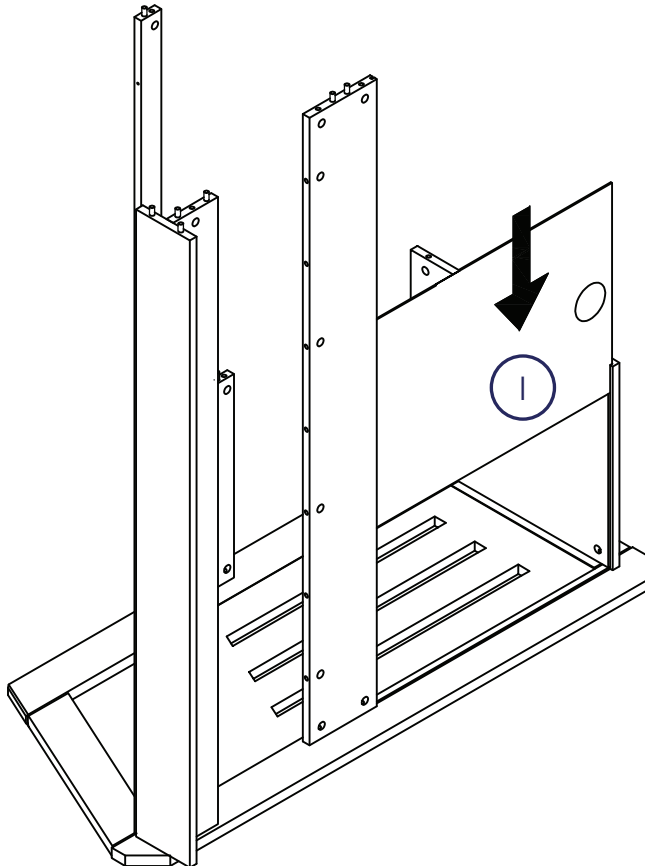


LOCK

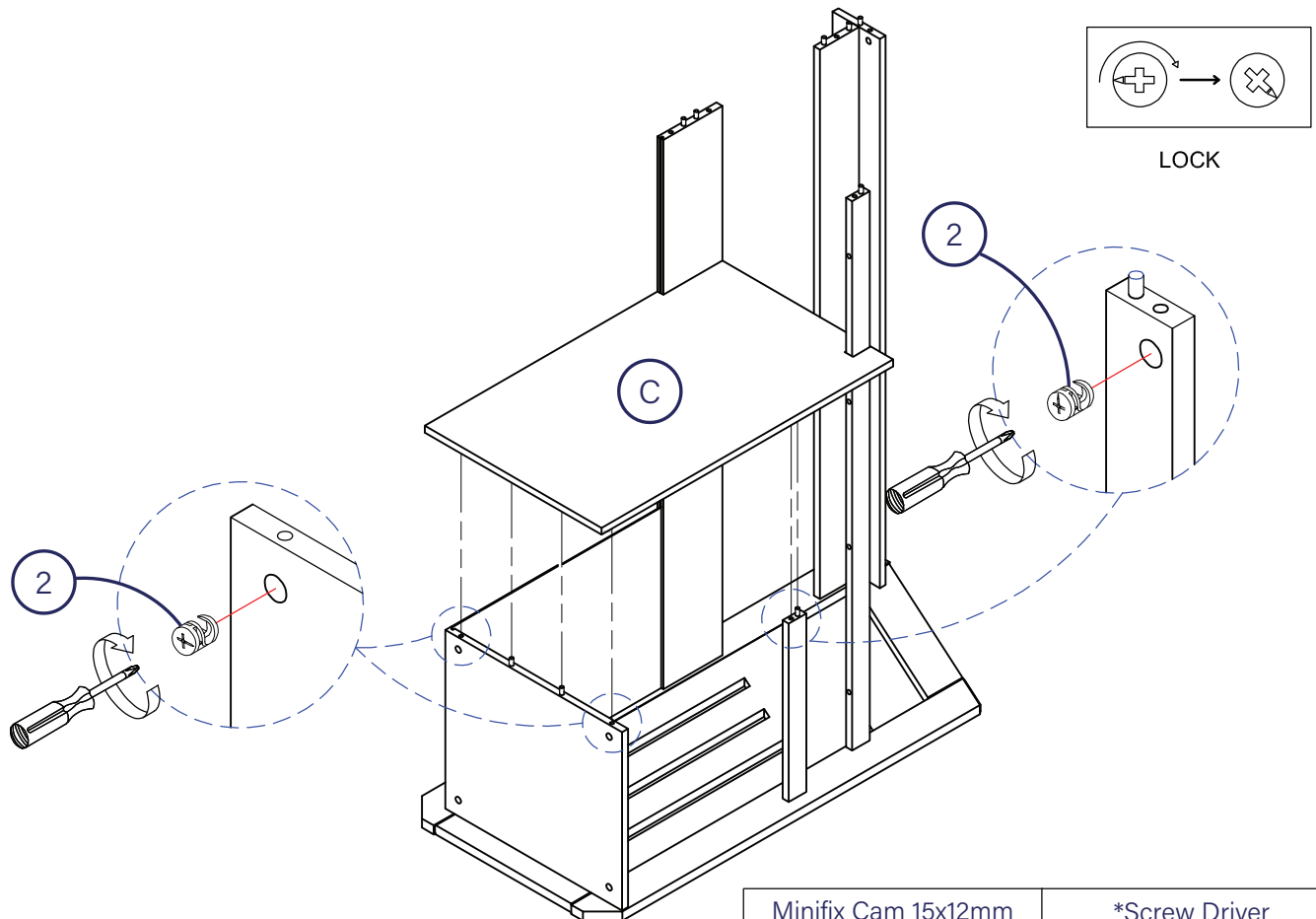




Minifix Cam 15x12mm 8 pcs	*Screw Driver Not Included
②	

6

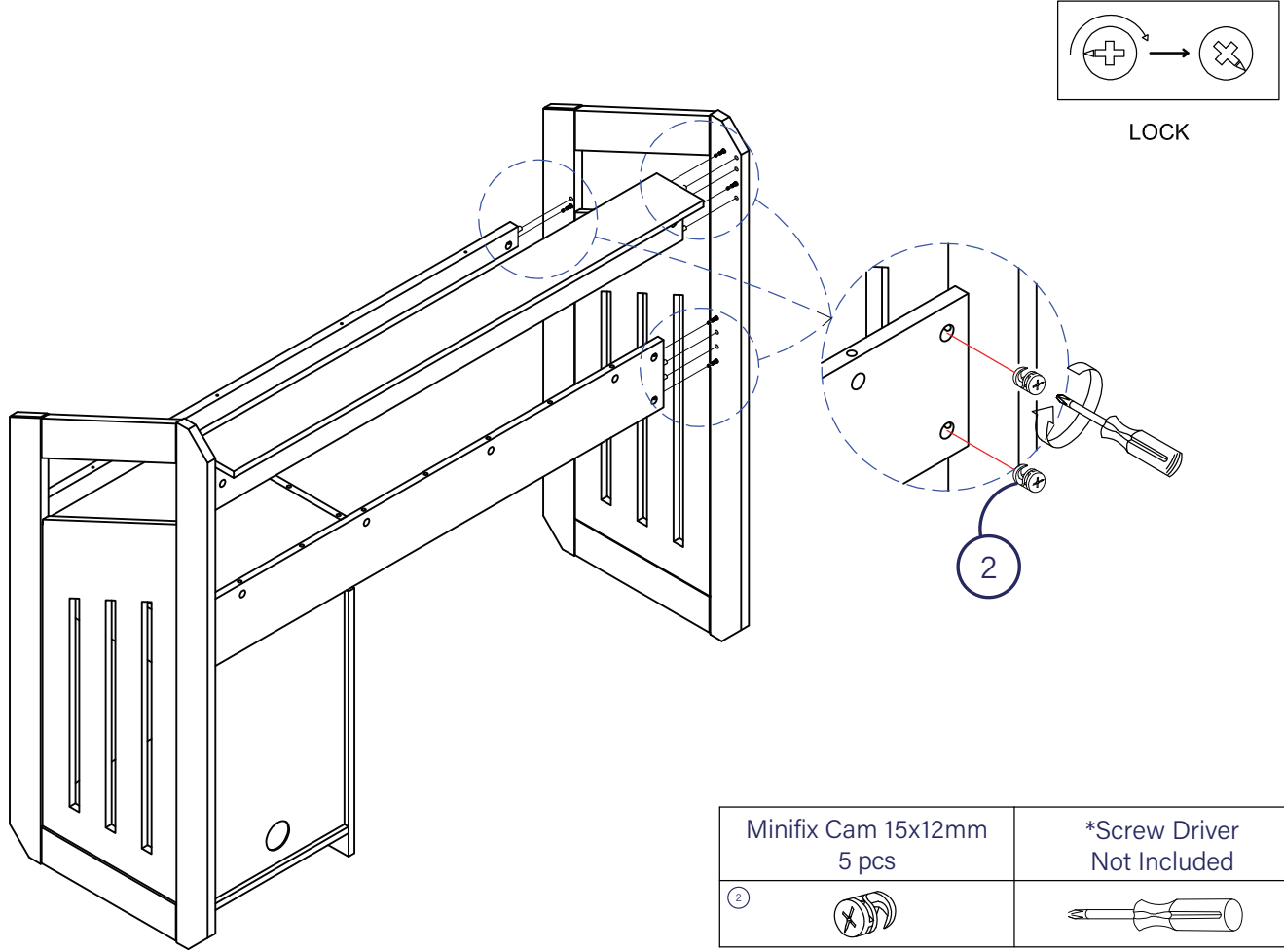




7



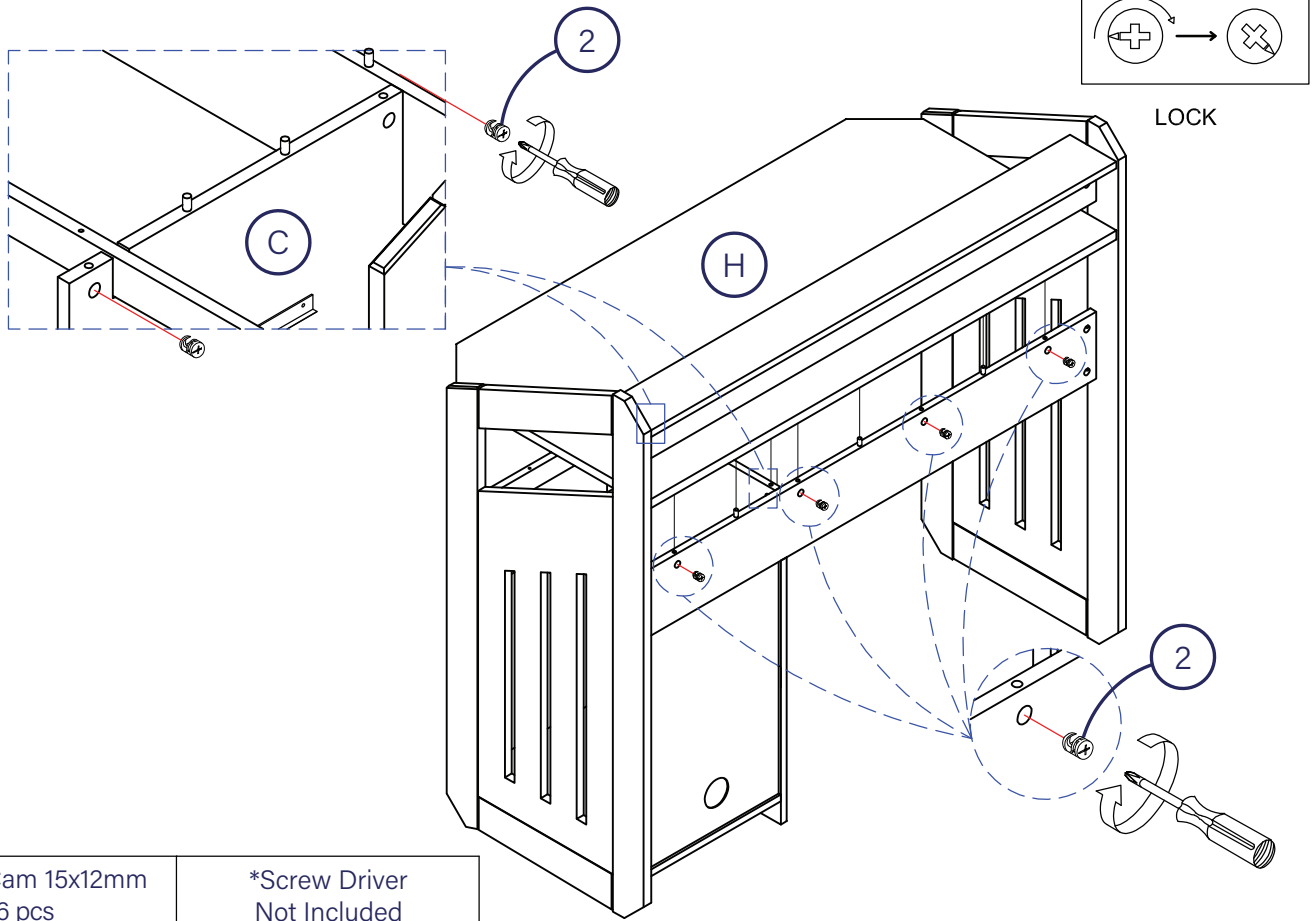
Minifix Cam 15x12mm 3 pcs	*Screw Driver Not Included
② 	

8



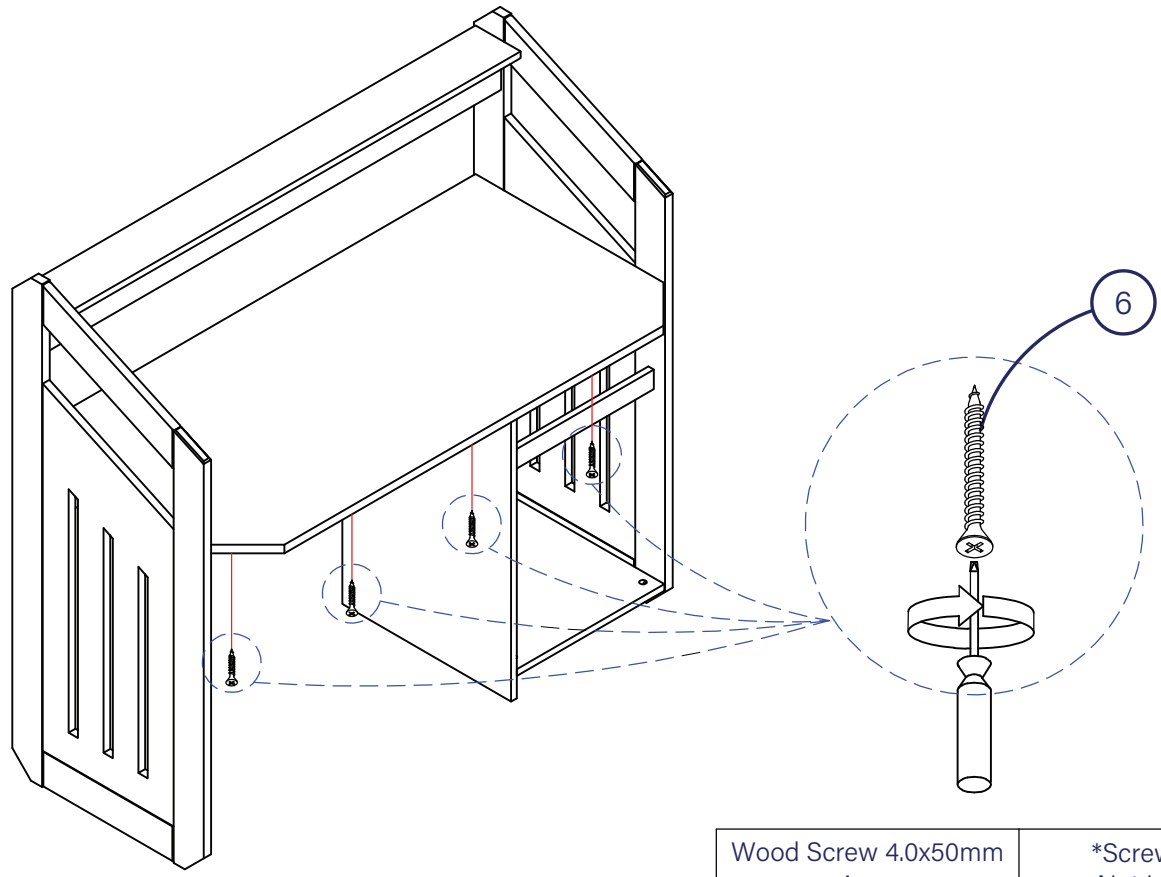
Minifix Cam 15x12mm 5 pcs	*Screw Driver Not Included
② 	

9



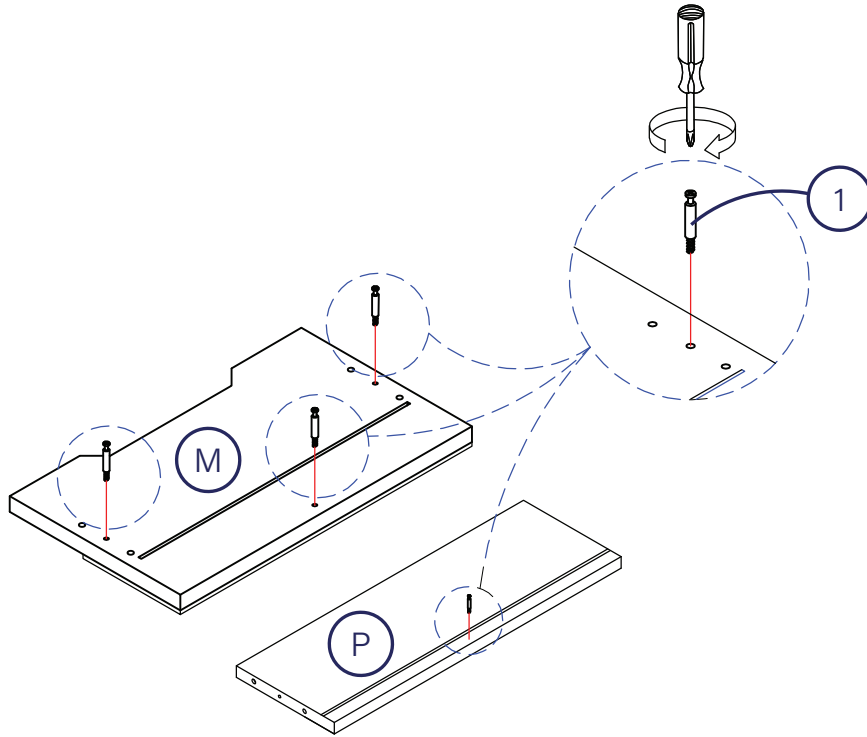
Minifix Cam 15x12mm 6 pcs	*Screw Driver Not Included
②	



10



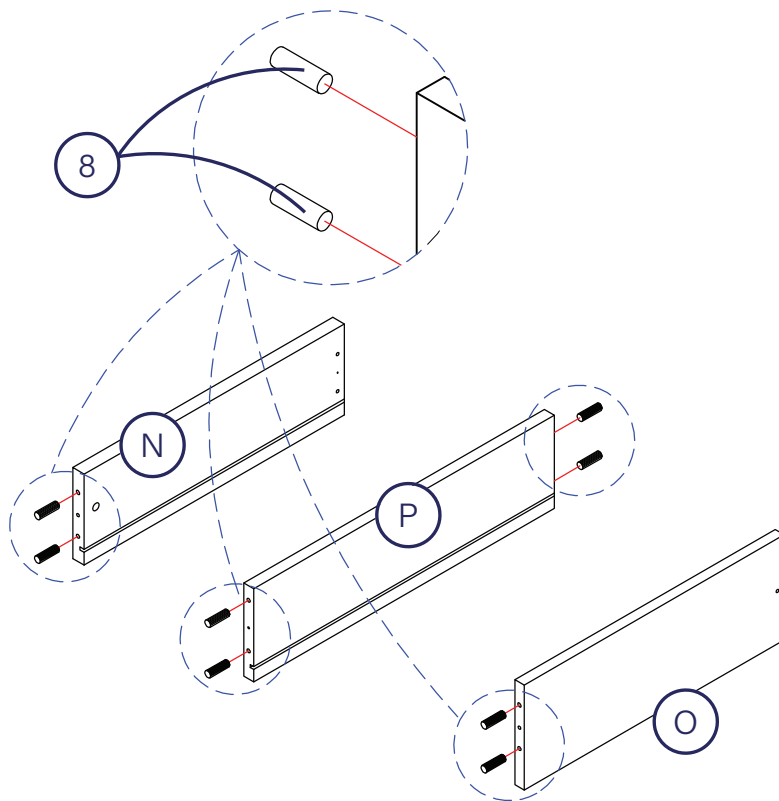
Wood Screw 4.0x50mm 4 pcs	*Screw Driver Not Included
⑥	


11



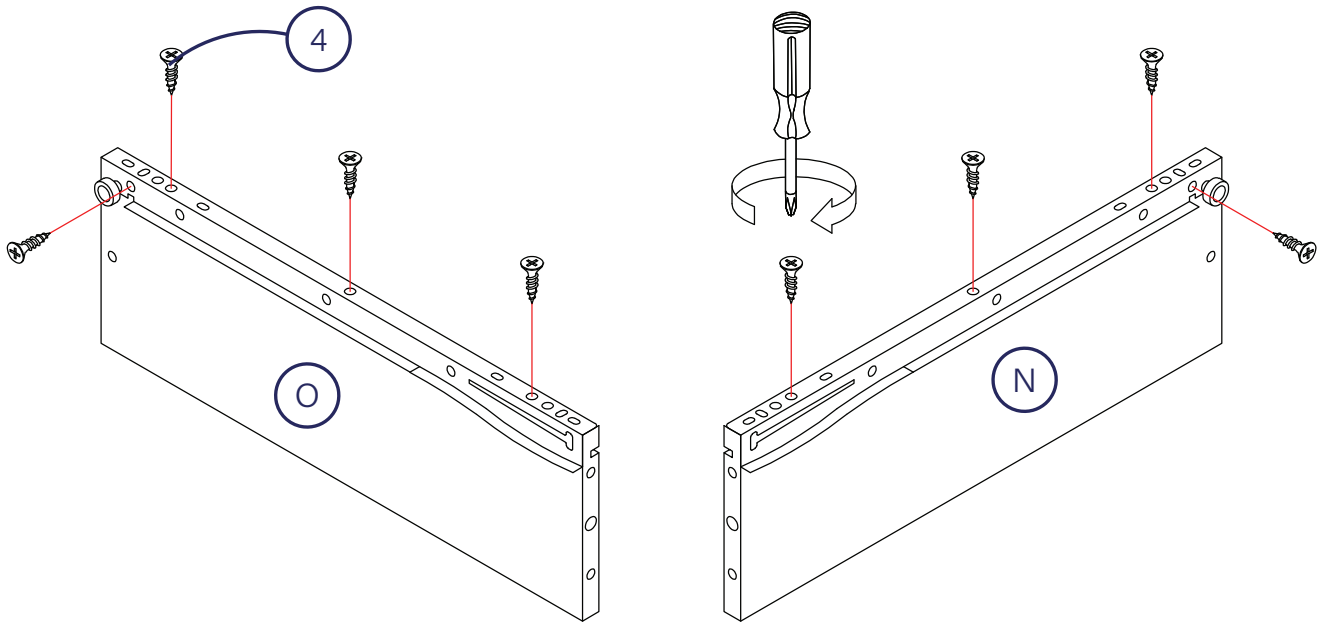
	Minifix Bolt 32mm 4 pcs	*Screw Driver Not Included
①		

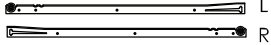


12



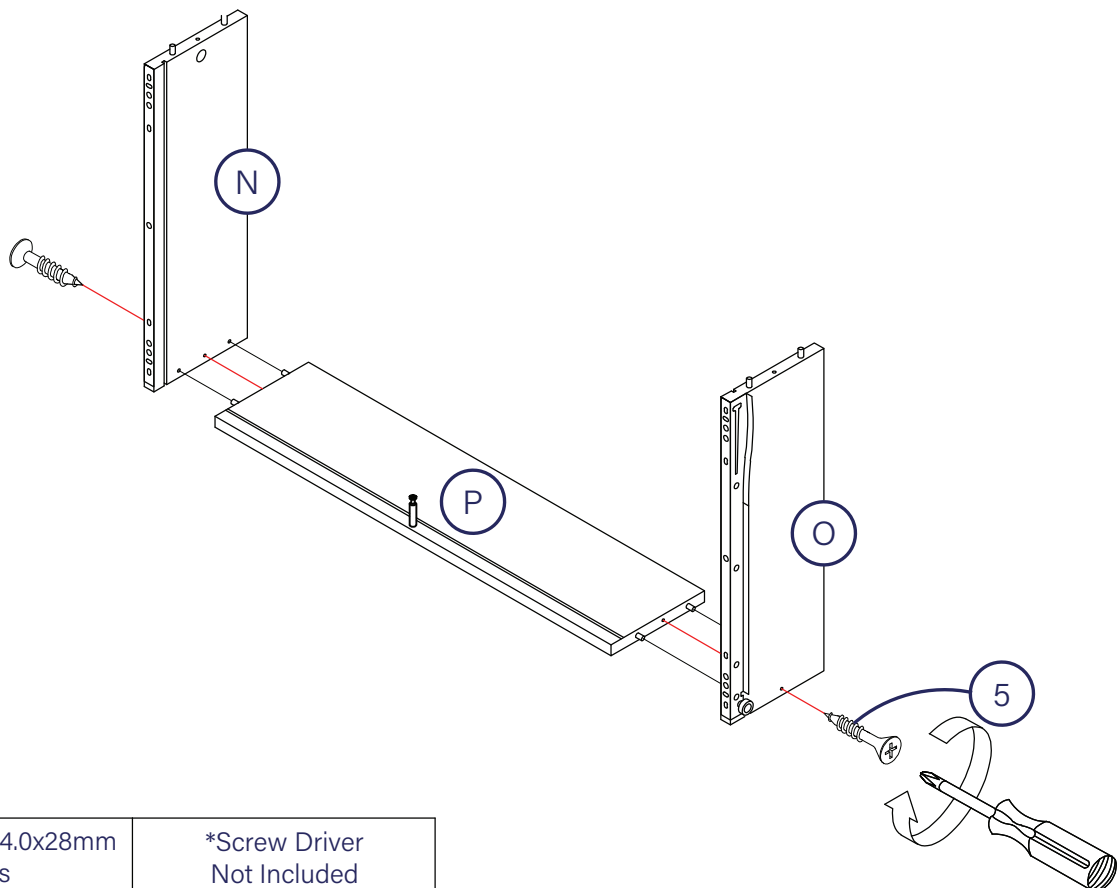
	Wood Dowel Ø6x30mm 8 pcs
⑧	


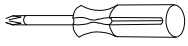
13



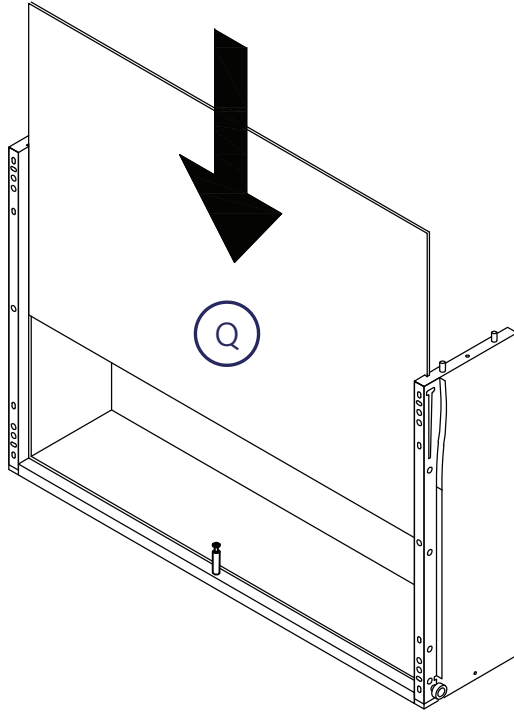
<p>Inside Drawer Slide 1 pair</p>	<p>Wood Screw 3.5x12mm 8 pcs</p>	<p>*Screw Driver Not Included</p>
<p>⑩  L R</p>	<p>④ </p>	<p></p>

14

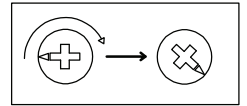


<p>Wood Screw 4.0x28mm 2 pcs</p>	<p>*Screw Driver Not Included</p>
<p>⑤ </p>	<p></p>

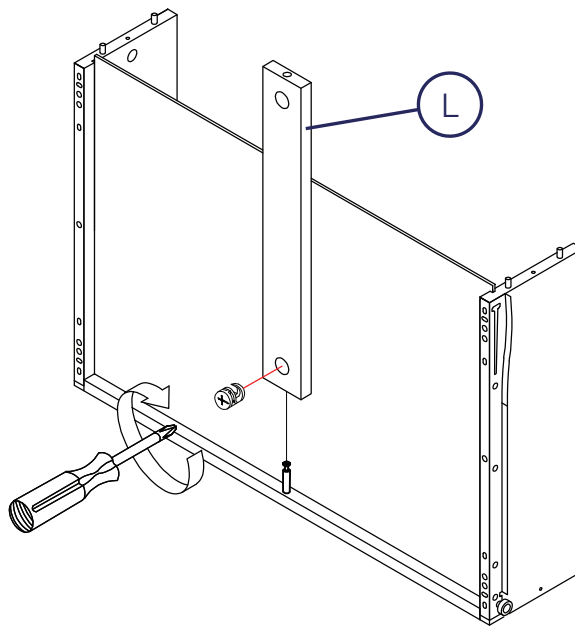
15





16

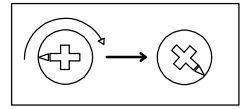
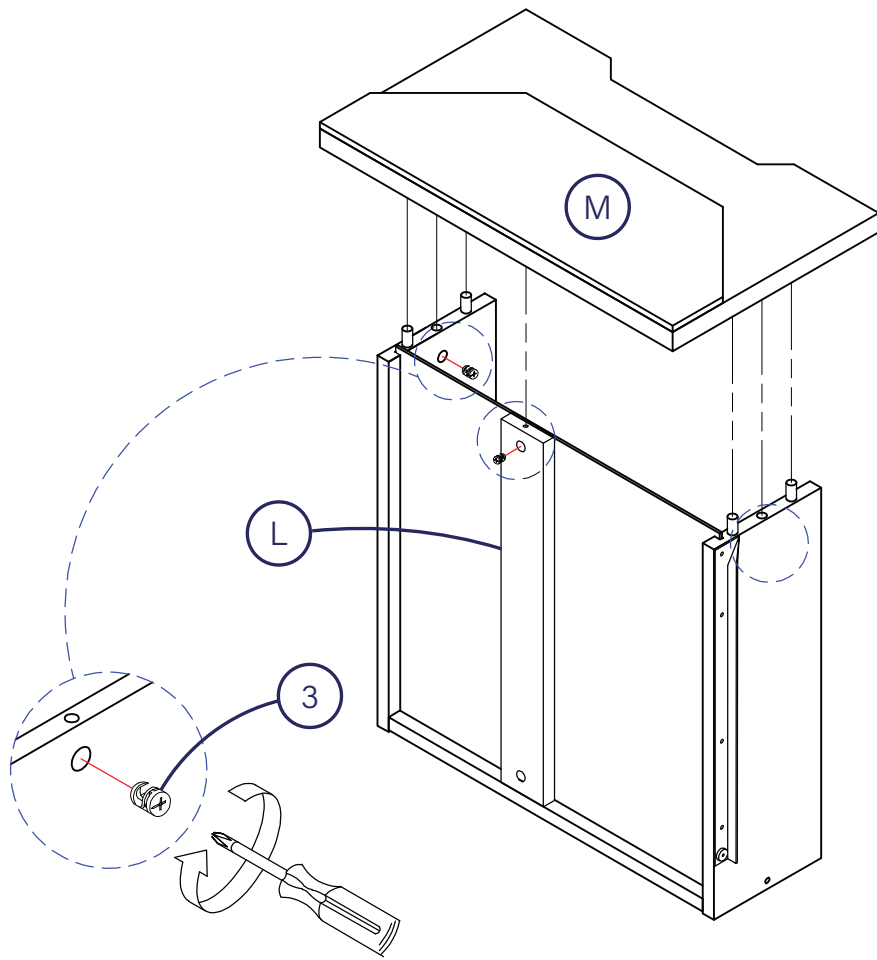


LOCK





Minifix Cam 12x10mm 1 pc	*Screw Driver Not Included
③ 	

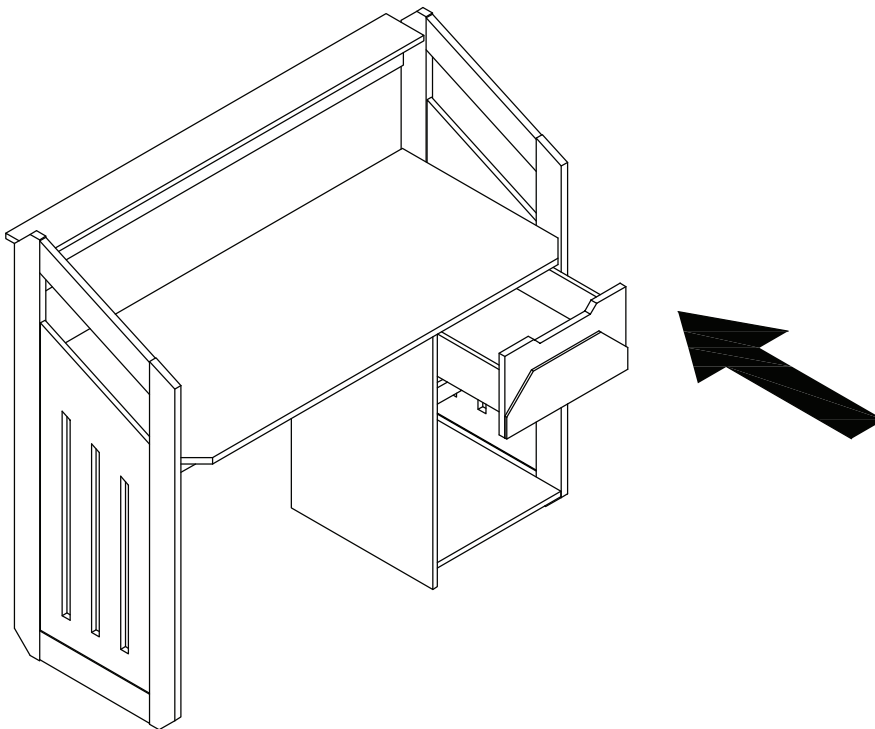
17



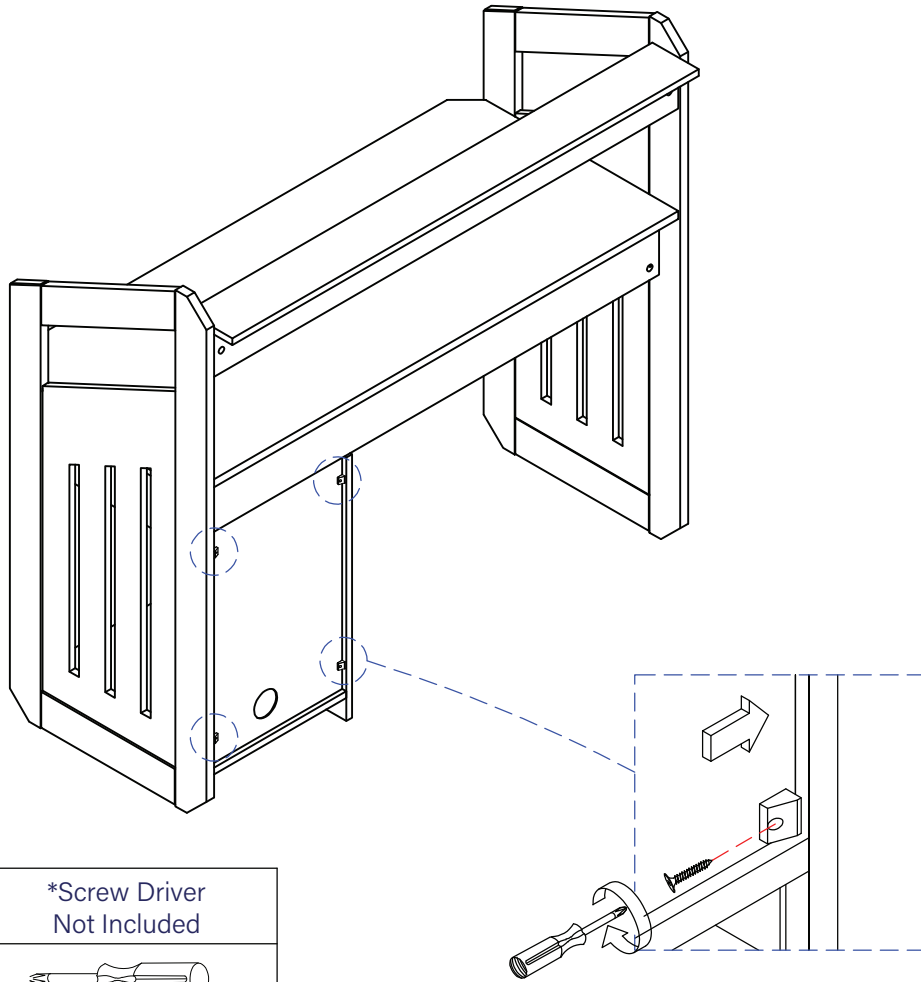
LOCK


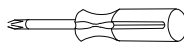
	Minifix Cam 12x10mm 3 pcs
3	
	*Screw Driver Not Included
	

18

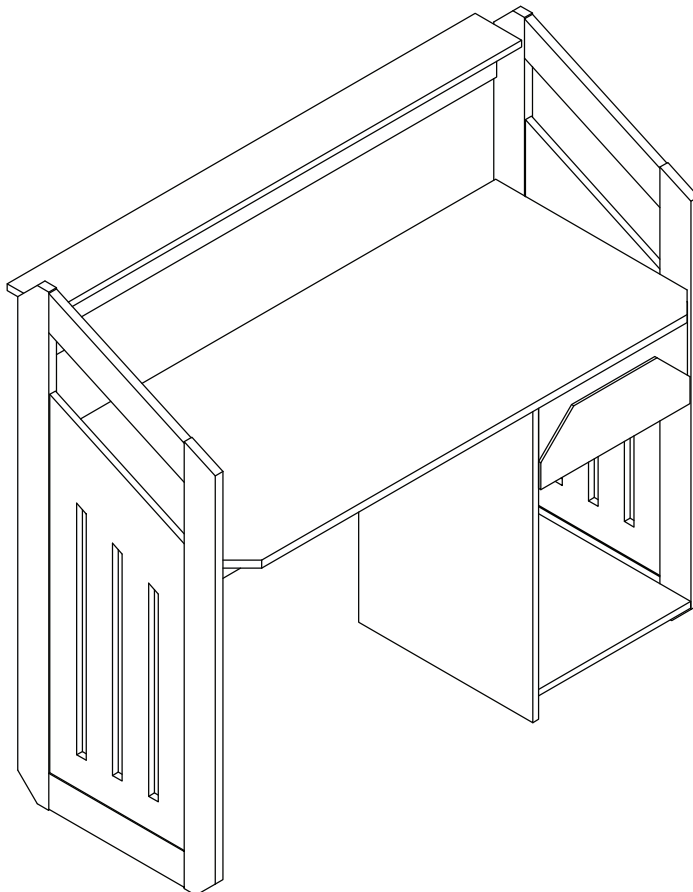


19



Buckle for Back Panel 4 pcs	*Screw Driver Not Included
⑪ 	

COMPLETE



Care and maintenance

Here are some tips to keep your new bed in tip-top condition



Cleaning

To clean your new bed, we'd advise using a warm damp cloth - please do not use abrasive chemicals or bleach as this may damage the product.



Checking and moving

Periodically we recommend you check that the screws or fixtures haven't become loose, over time. To move your new bed, we recommend lifting it where possible, as dragging or pushing it could cause damage to your flooring.



Wood

Please note each of our wooden pieces are unique, meaning that markings and shade can vary slightly between beds. Over a period of time, the wood might lighten or fade slightly due to light exposure.

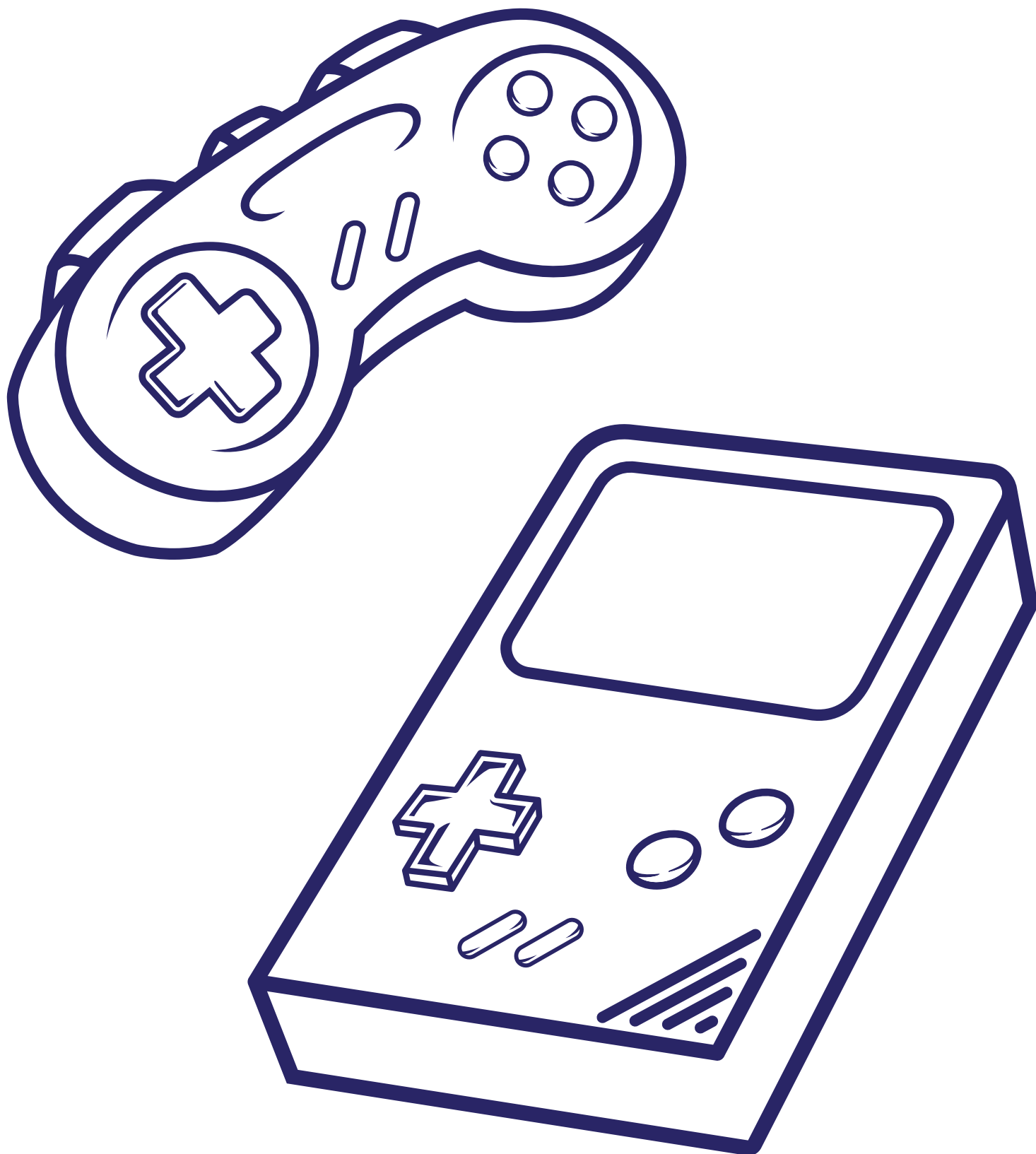
Thank you for shopping with us - we hope you have a great night's sleep

Sleep well



Little dreamers

Keep the little ones entertained while you assemble your new purchase.



Dreams