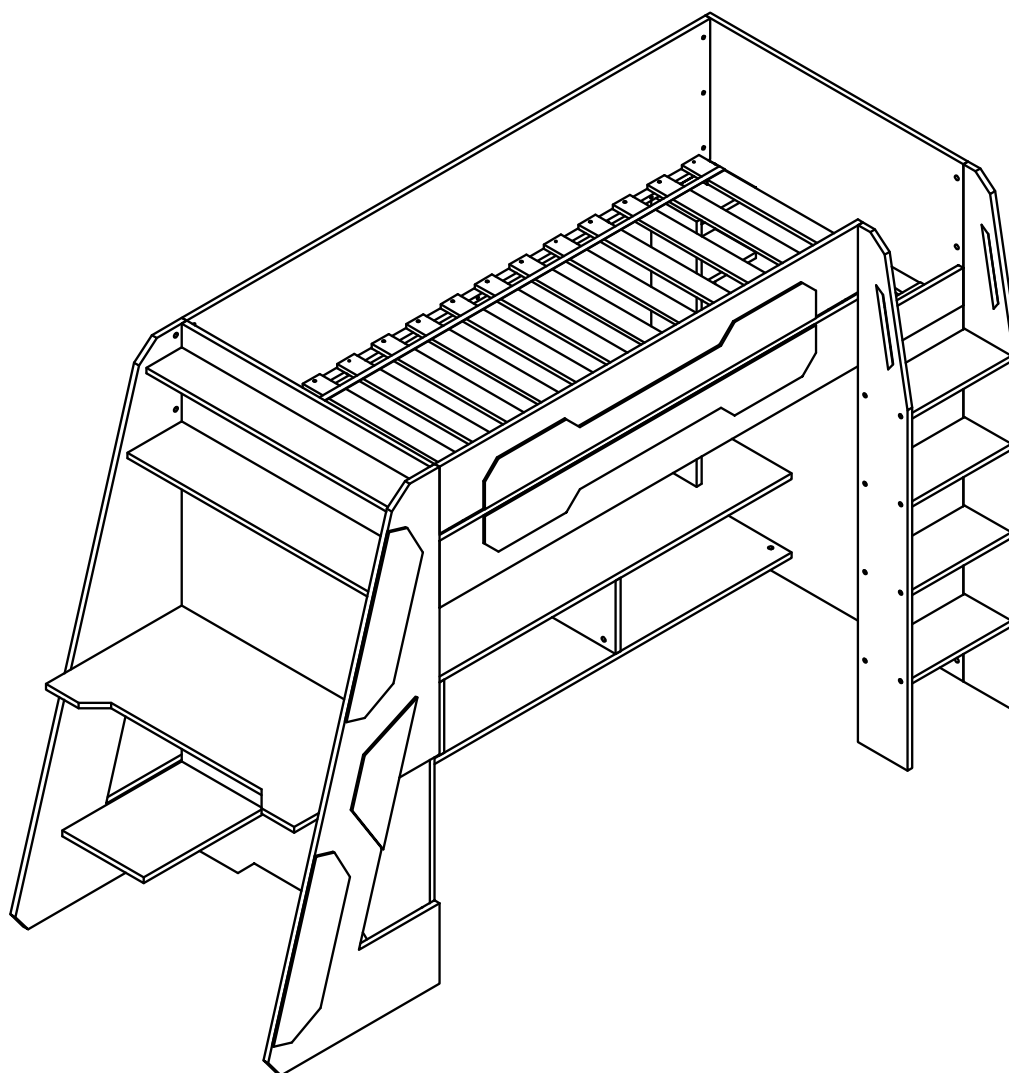


# Garrison Bed with TV Media Unit & Desk



2 hours 30 min  
approx assembly time



Two person  
assembly

**Dreams**

# Assembly Instructions

## Important

Please read these instructions carefully before assembling or using your bunk bed frame.

Please keep these instructions for future reference.

## Health & Safety

DO NOT jump on this bed frame.

This bed has not been designed or constructed as play equipment.

DO NOT use this bed frame unless all fixings are secured.

Always use on a level, even surface.

## Warning

High beds and the upper bed of bunk beds are not suitable for children under six years due to the risk of injury from falls.

## Warning

Bunk beds and high beds can present a serious risk of injury from strangulation if not used correctly. Never attach or hang items to any part of the bunk bed that are not designed to be used with the bed for example, but not limited to ropes, strings, cords, hooks, belts and bags.

## Warning

Children can become trapped between the bed and the wall, a roof pitch, the ceiling, adjoining pieces of furniture (e.g. cupboards) and the like. To avoid risk of serious injury the distance between the top safety barrier and the adjoining structure shall not exceed 75mm or shall be more than 230mm.

## Warning

Do not use the bunk bed/high bed if any structural part is broken or missing.

Always follow the manufacturer's instructions.

The recommended size of the mattress(es) is 90cm x 190cm.

Ventilation of the room is necessary in order to keep the humidity low and to prevent mould in and around the bed.

BS EN 747 : 2012 PART 1 & 2 + A1 : 2015

## Warning

If this bed is placed on a laminated floor you must place some protection under all legs to stop the bed frame from moving. If this is not adhered to there is no guarantee if the bed frame collapses.

## Care & Maintenance

Periodically check all screws and fixings to ensure they are secure.

DO NOT push the bed frame as this will damage the legs.

Always lift the bed with two people to reposition.

Keep any sharp objects away from the frame.

Recommended maximum mattress height for top bunk is 160mm.

# Thank you

Hello, thanks for choosing to purchase your bed from Dreams - you're now on your way to your best ever night's sleep. Before you begin building your bed, please take a moment to read through the instructions and make sure that you've got all the relevant parts listed on the following pages.



## Assembly tips

Before you begin, it's best to identify all parts and fittings to build your bed. We advise laying these out on the floor to check you have everything, and familiarising yourself before building.



## Top tip

We recommend that you build your new bed in the room you'd like it to be located - this will help prevent any risk of damage to your newly built bed whilst moving it.



## Safety and care

It's really important to ensure children and animals are kept away from the assembly area, as there are small components used in this bed which could present a choking hazard. All plastic and wrapping materials should also be kept away from children and animals to prevent any risk of suffocation. To keep your little ones busy, there is a colouring page inside the back cover.



## Help and support

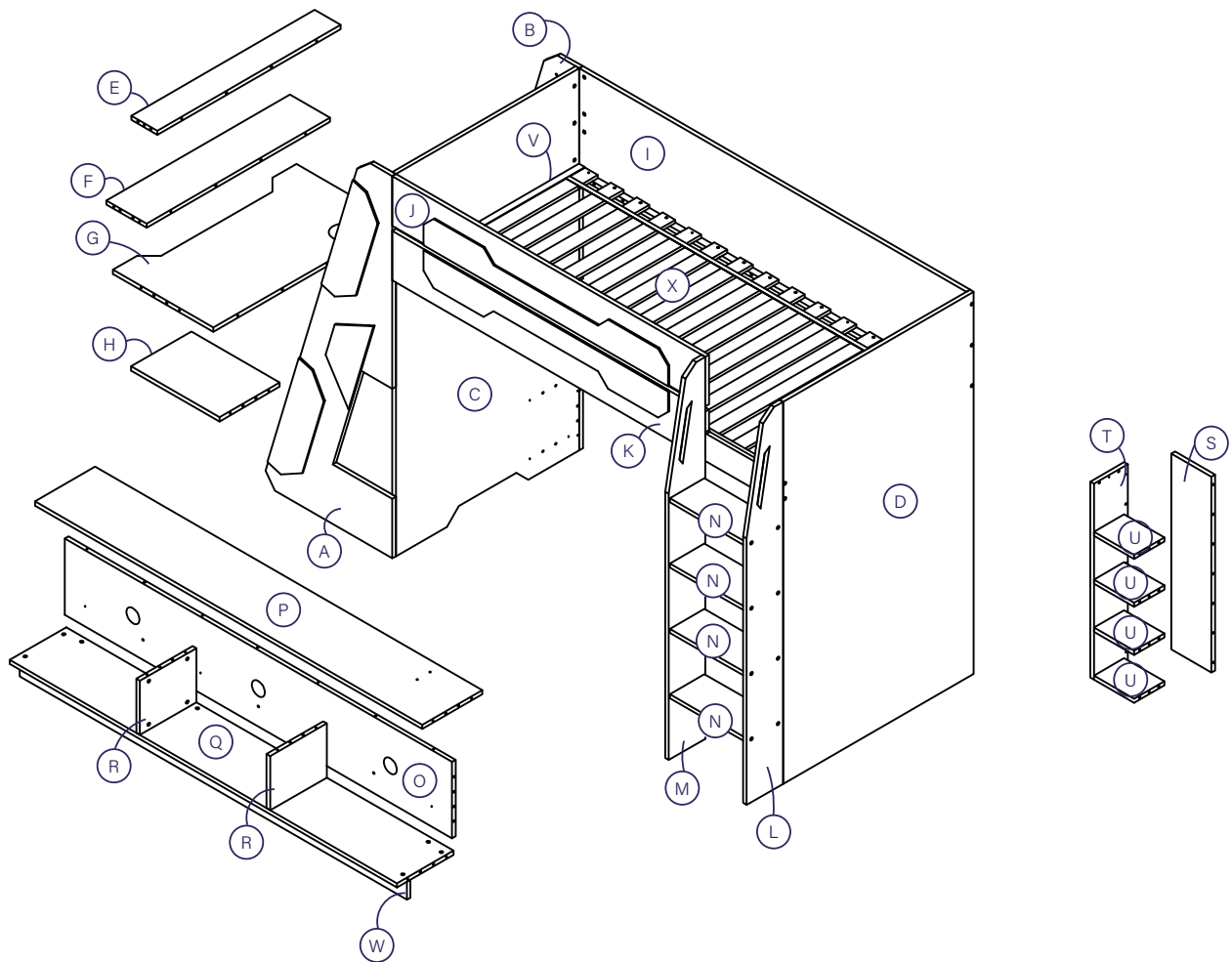
At Dreams, it's our mission to give the whole nation a great night's sleep - this means that the quality of our products is of utmost importance to us. If there are any issues with your product or any missing parts, please visit our website at [www.dreams.co.uk/help](http://www.dreams.co.uk/help)



## Recycling

As part of our zero to landfill policy, we're more than happy to collect and recycle your old bed or mattress, ensuring no part goes to waste. We will also take away all your packaging for recycling at point of delivery. Please check out our services on [www.dreams.co.uk/recycling-services](http://www.dreams.co.uk/recycling-services) for more information. If you do not want us to do this, please check with your local recycling centre on the best recycling method.

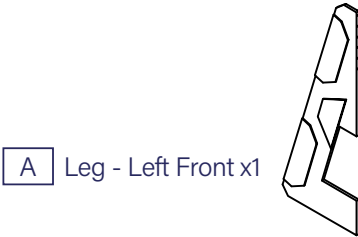
# Parts



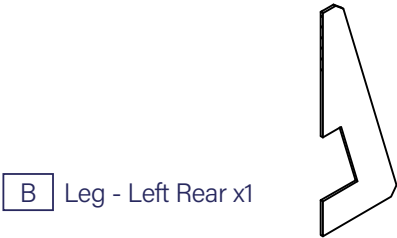
## Parts list

		Qty		Qty	
A.	Leg - Left Front	1	M.	Vertical Ladder - Left	1
B.	Led - Left Rear	1	N.	Ladder Strecher	4
C.	Frame - Left	1	O.	Back Panel - Storage	1
D.	Frame - Right	1	P.	Top Panel - Storage	1
E.	Upper Panel	1	Q.	Bottom Panel - Storage	1
F.	Middle Panel	1	R.	Shelf Storage	2
G.	Desk	1	S.	Back Panel - Bookshelf	1
H.	Lower Panel	1	T.	Side Panel - Bookshelf	1
I.	Side Panel - Rear	1	U.	Shelf - Bookshelf	4
J.	Guard Panel	1	V.	Support Rail	2
K.	Side Panel - Front	1	W.	Bottom Rail	1
L.	Vertical Ladder - Right	1	X.	Slat	1

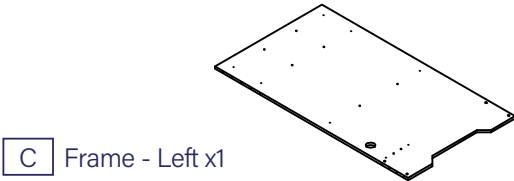
# Panels



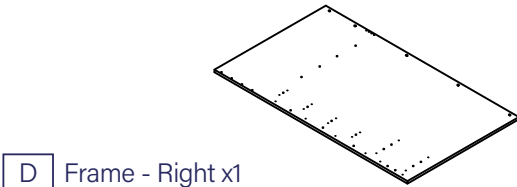
A Leg - Left Front x1



B Leg - Left Rear x1



C Frame - Left x1



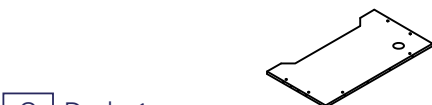
D Frame - Right x1



E Upper Panel x1



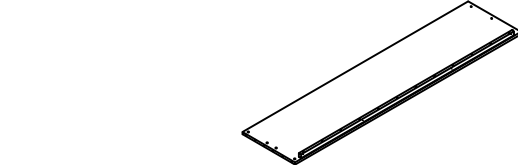
F Middle Panel x1



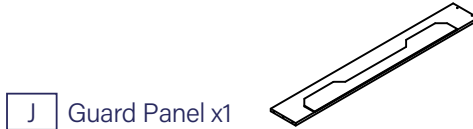
G Desk x1



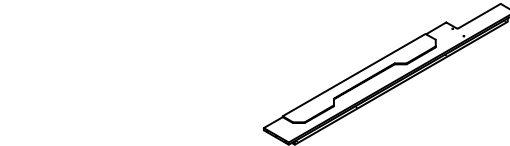
H Lower Panel x1



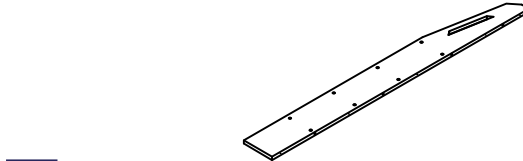
I Side Panel - Rear x1



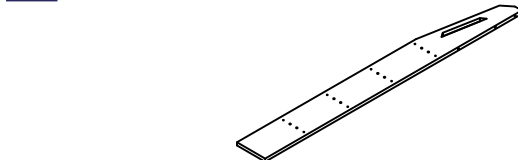
J Guard Panel x1



K Side Panel - Front x1



L Vertical Ladder - Right x1

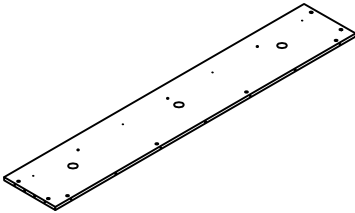


M Vertical Ladder - Left x1



N Ladder Strecher x4

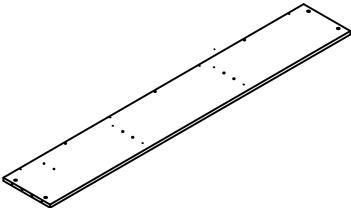
# Panels



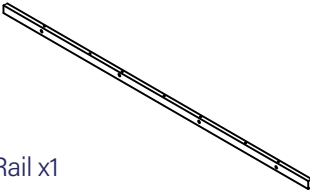
O Back Panel - Storage x1



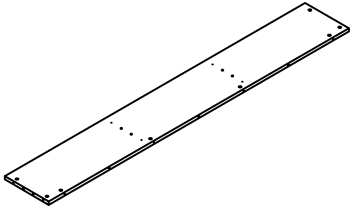
V Support Rail x2



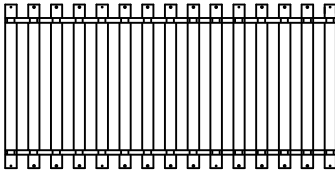
P Top Panel - Storage x1



W Bottom Rail x1



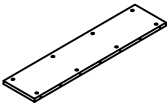
Q Bottom Panel - Storage x1



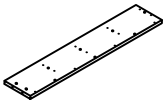
X Slat x1



R Divider - Storage x1



S Back Panel - Bookshelf x1



T Side Panel - Bookshelf x1

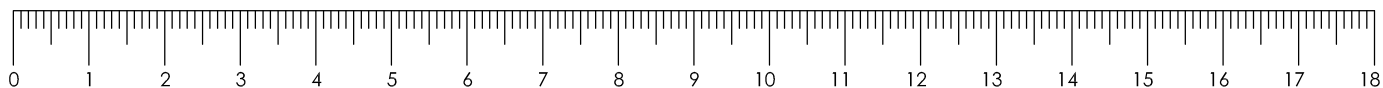


U Shelf - Bookshelf x4

# Fittings (Box 1)

Please check you have all the parts listed below with your product:

 <p>83 pcs</p>	 <p>8 pcs</p>	 <p>99 pcs</p>	 <p>109 pcs</p>	 <p>23 pcs</p>
Minifix Bolt 32mm	Minifix Twin Bolt	Minifix Cam 15x15mm	Wood Dowel 10x30mm	JCBC M6 60mm
 <p>4 pcs</p>	 <p>23 pcs</p>	 <p>16 pcs</p>	 <p>22 pcs</p>	 <p>1 pc</p>
JCBC M6 30mm	Barrel Nut M6 13mm	JCBC W M6 28mm	Wood Screw 4.0x28mm	Allen Key M4



# Tools required

Please check you have all these below:

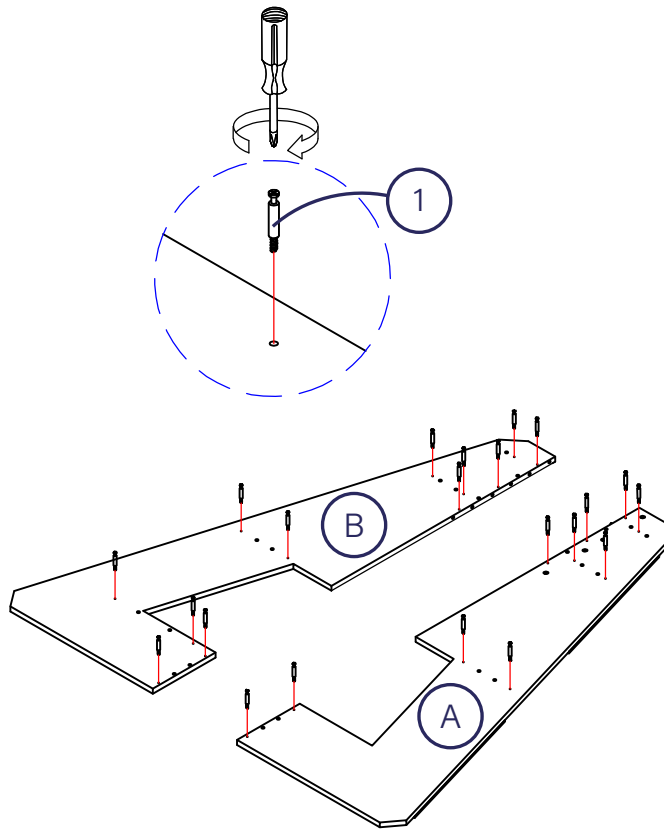




Flathead screwdriver



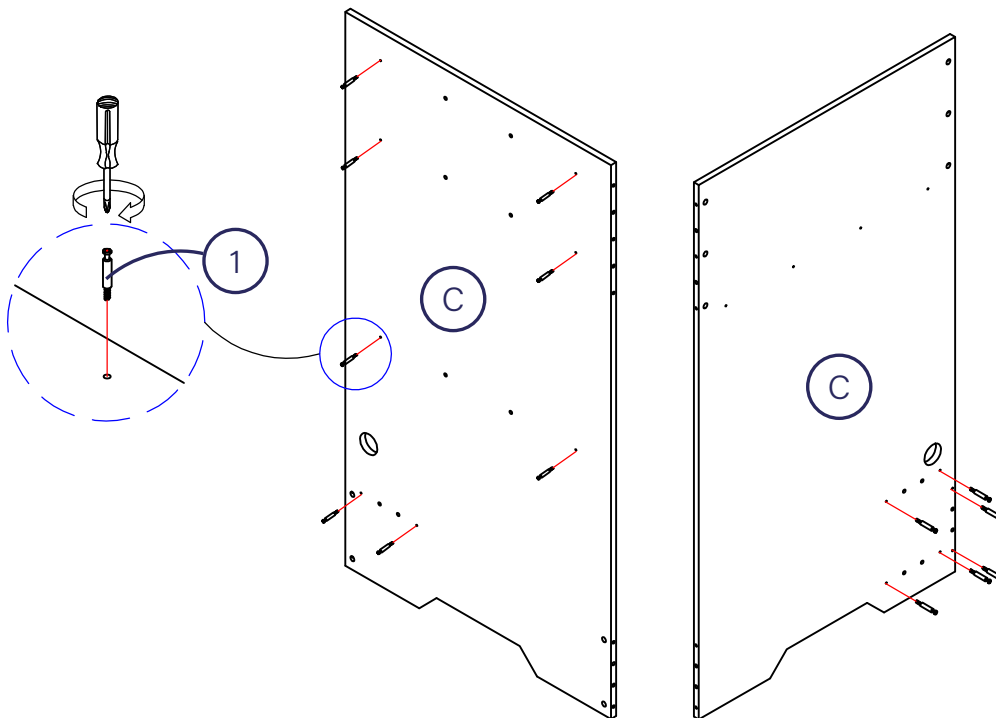
Cross head screwdriver



1



Minifix Bolt 32mm 22 pcs	*Screw Driver Not Included
① 	

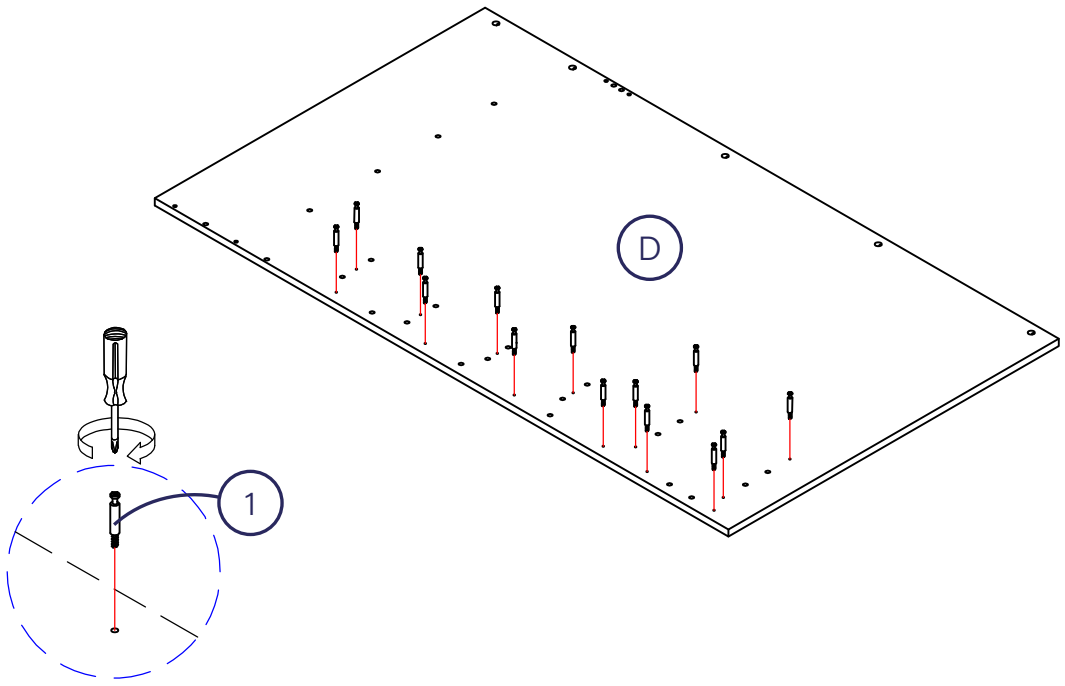
2





Minifix Bolt 32mm 14 pcs	*Screw Driver Not Included
① 	

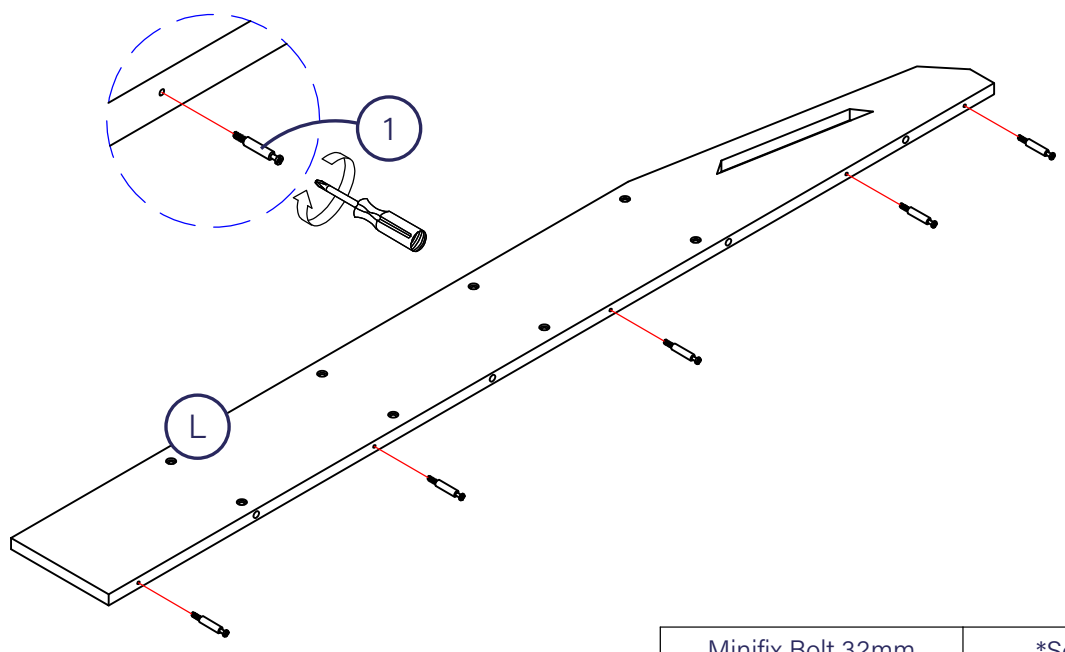




3



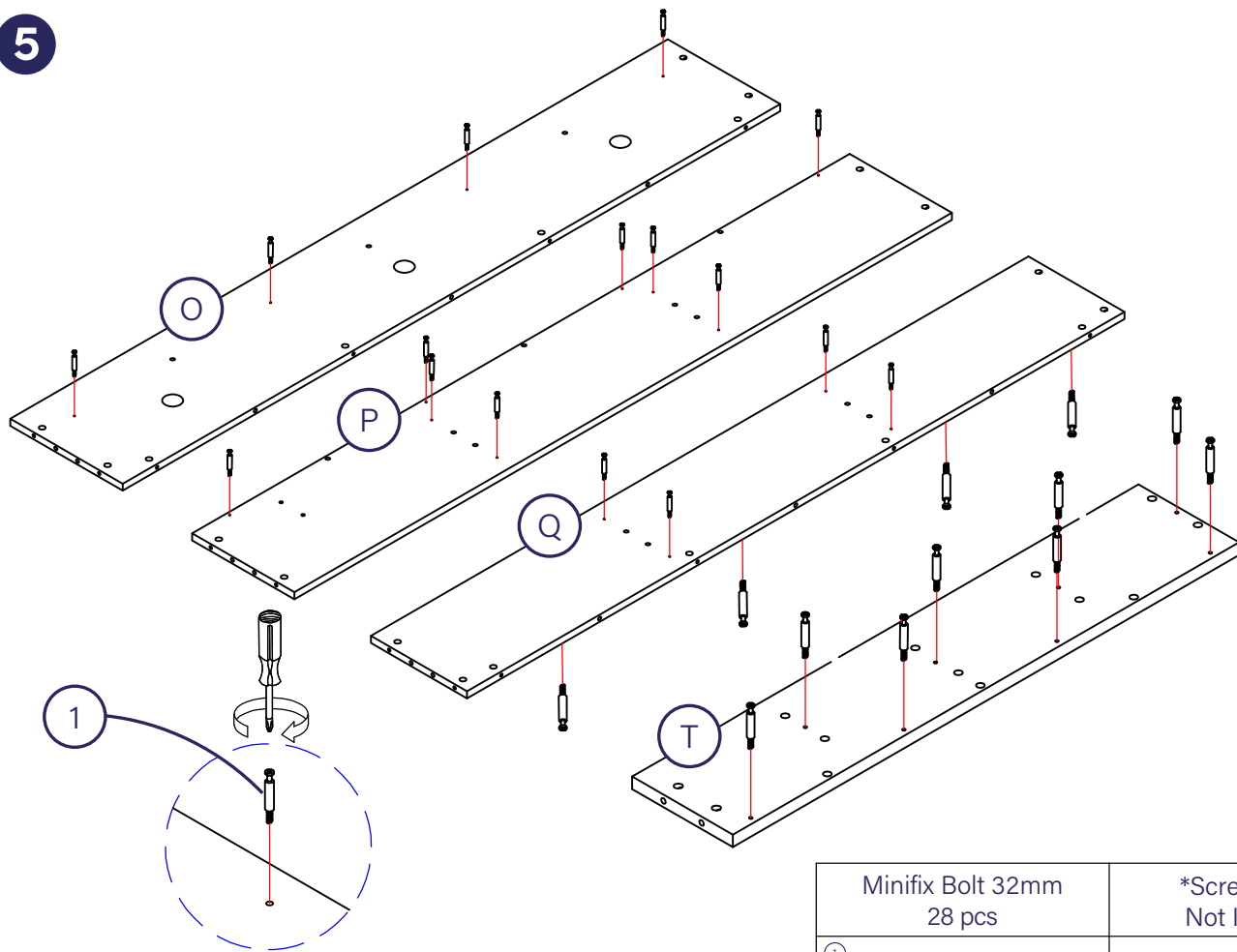
Minifix Bolt 32mm 14 pcs	*Screw Driver Not Included
① 	



4



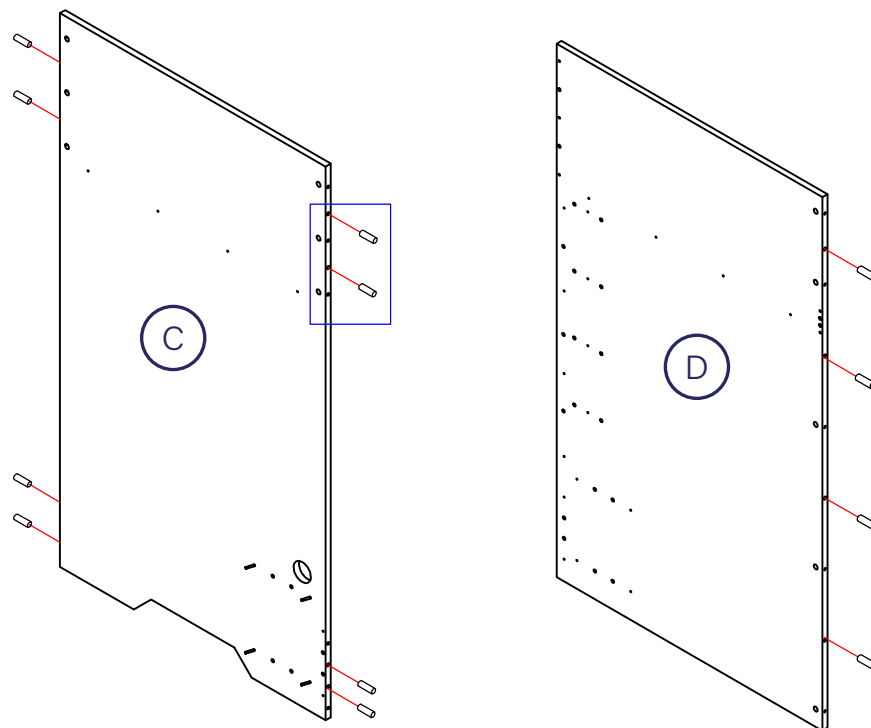
Minifix Bolt 32mm 5 pcs	*Screw Driver Not Included
① 	


5



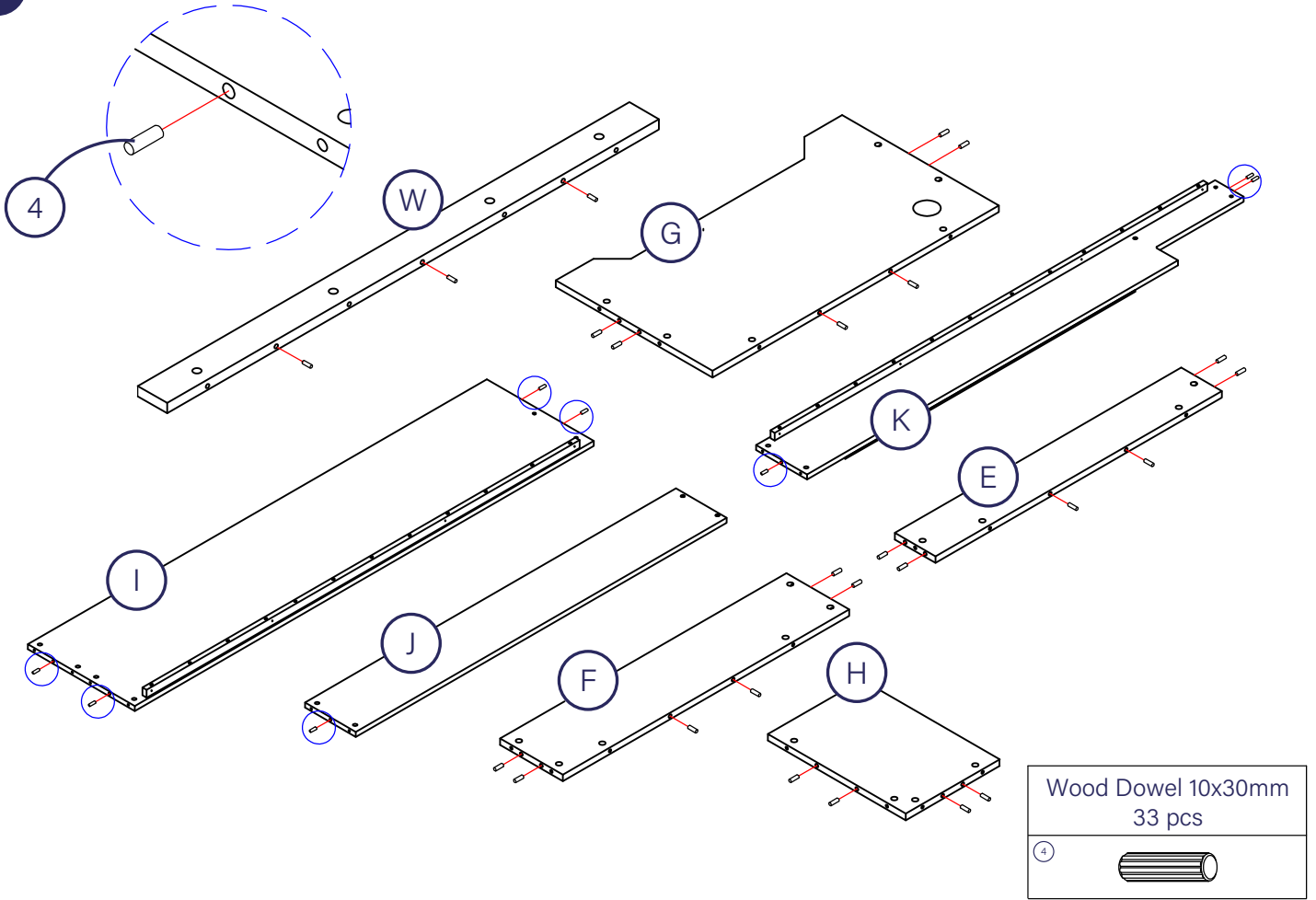
Minifix Bolt 32mm 28 pcs	*Screw Driver Not Included
① 	

6

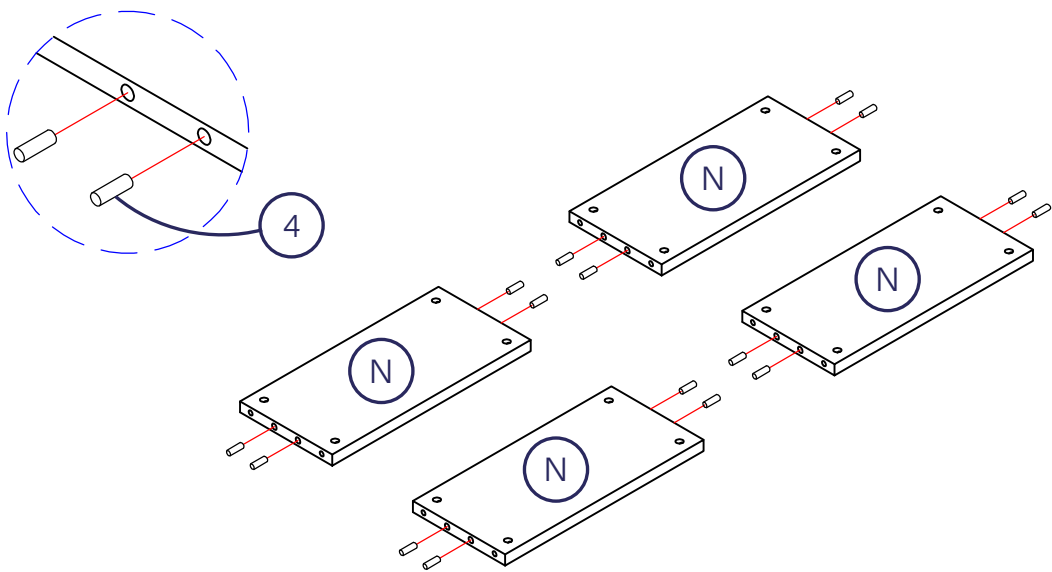


Wood Dowel 10x30mm 12 pcs
④ 

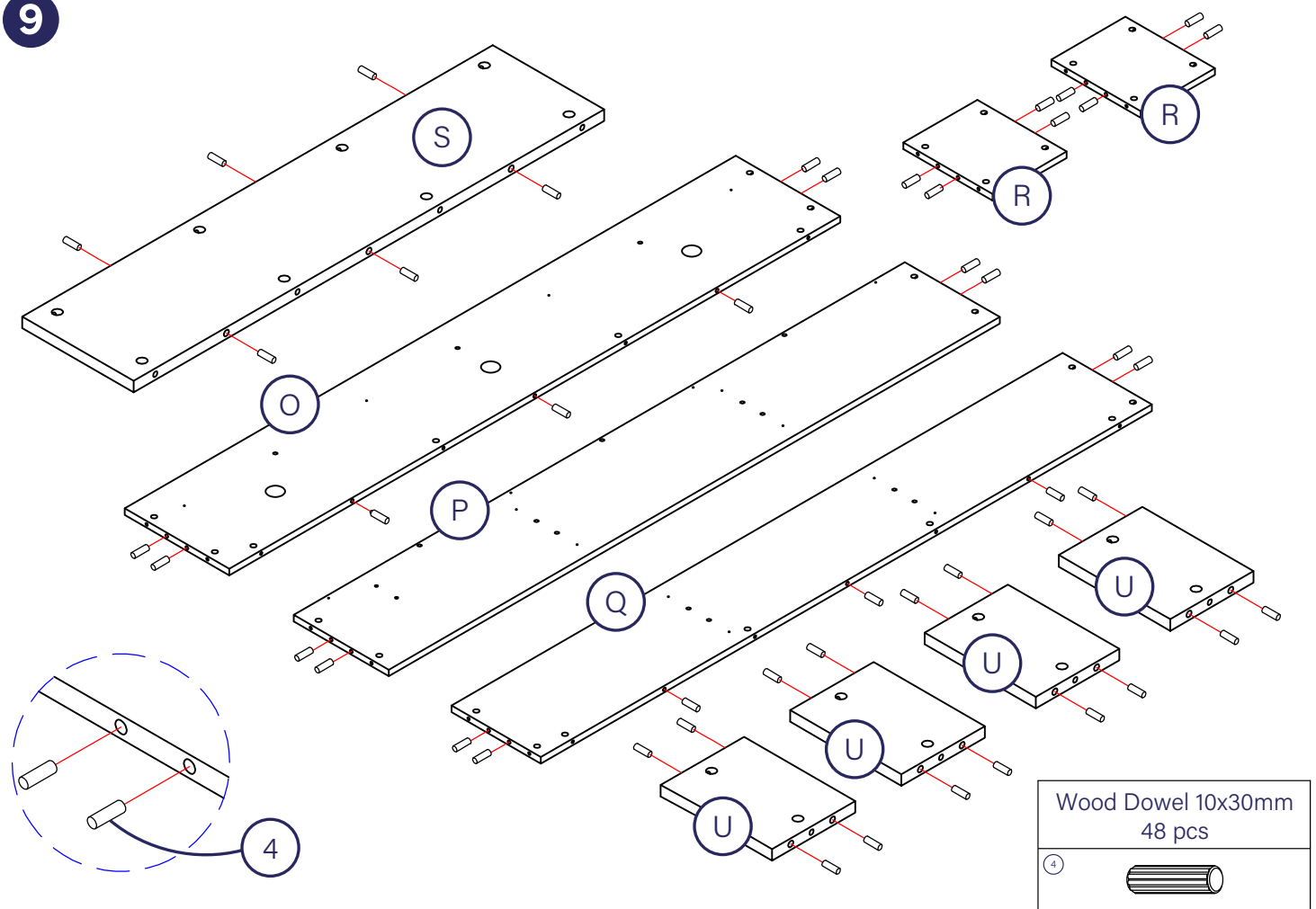
7




8

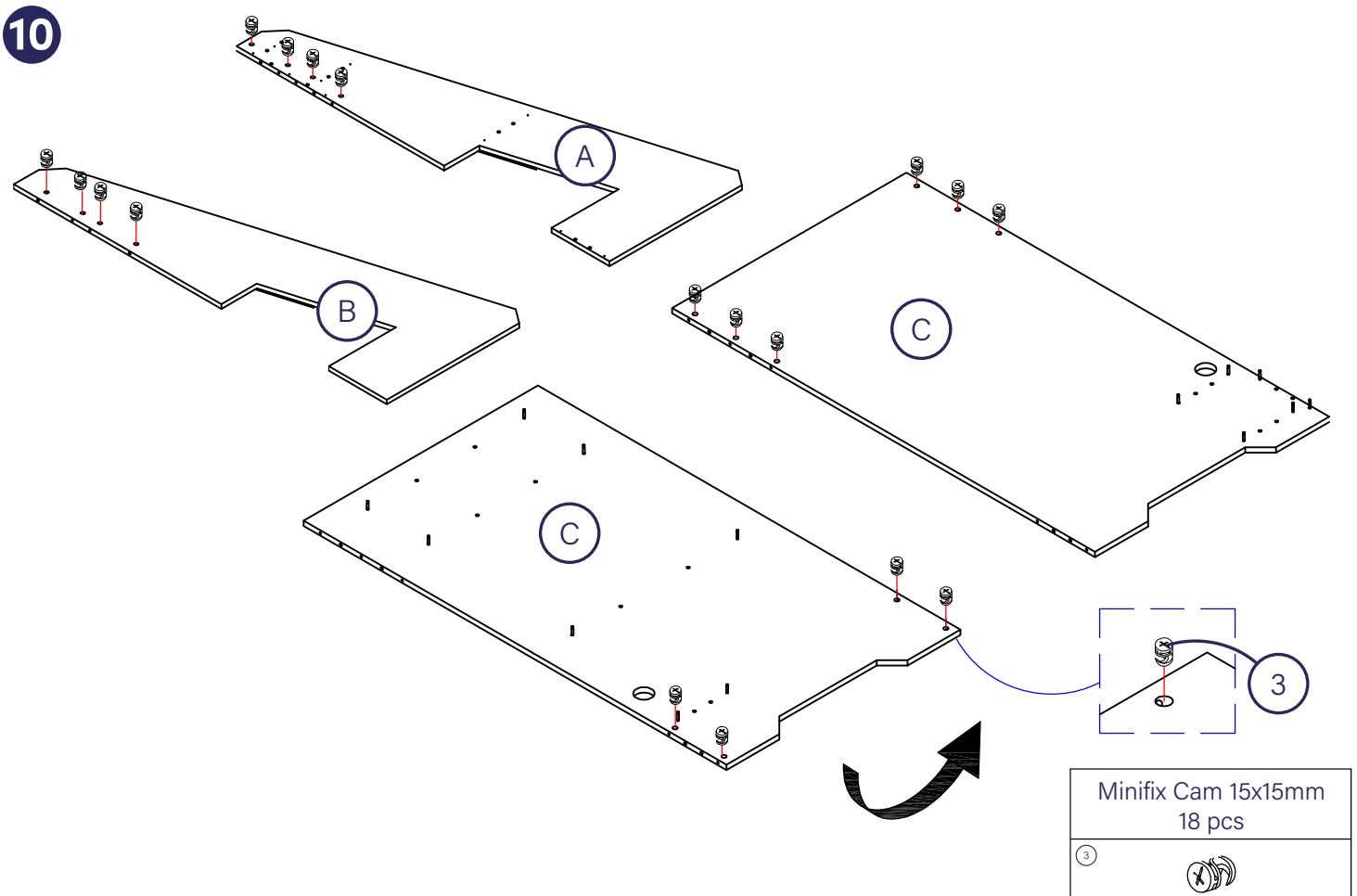



9



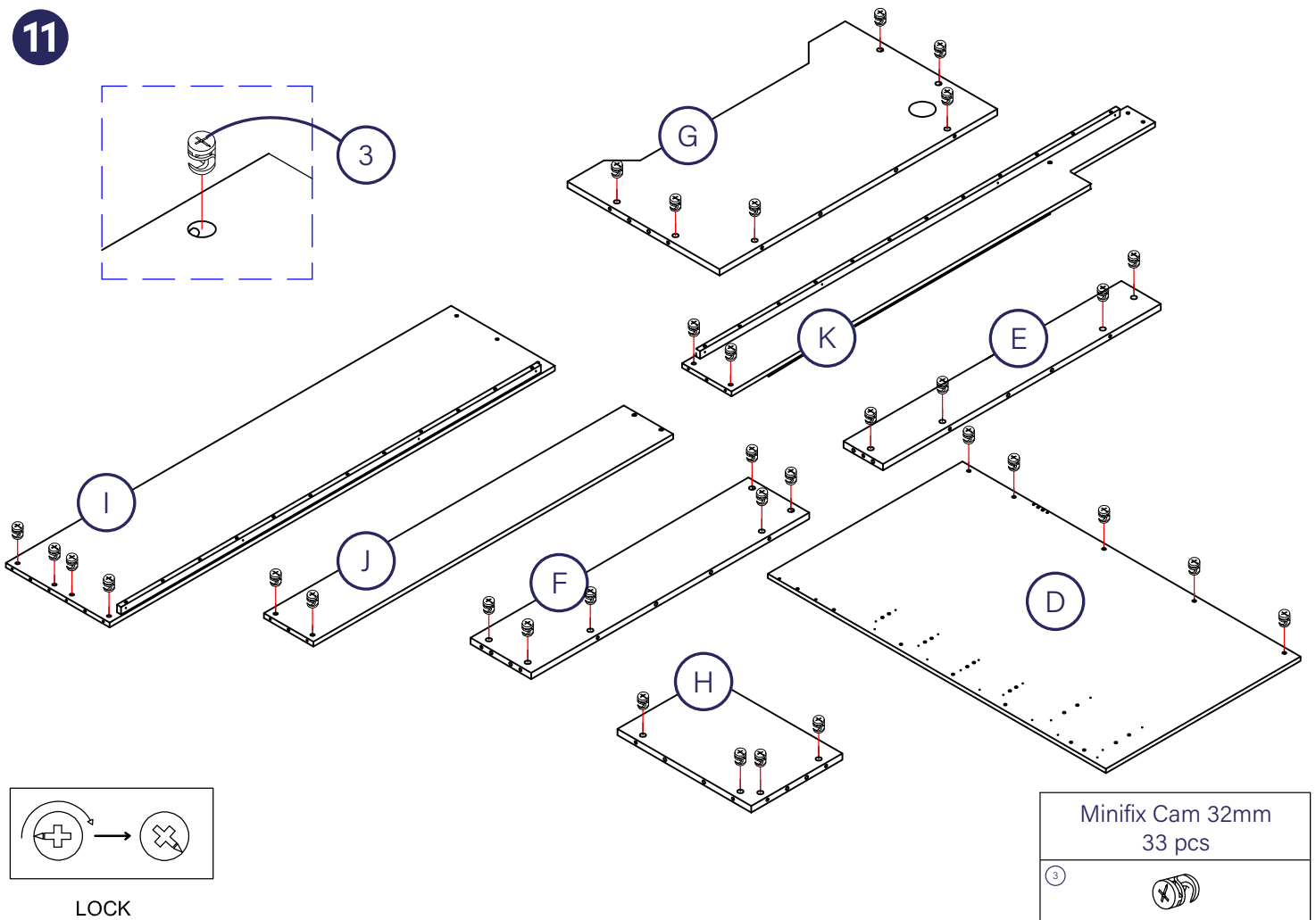
Wood Dowel 10x30mm 48 pcs	
4	

10

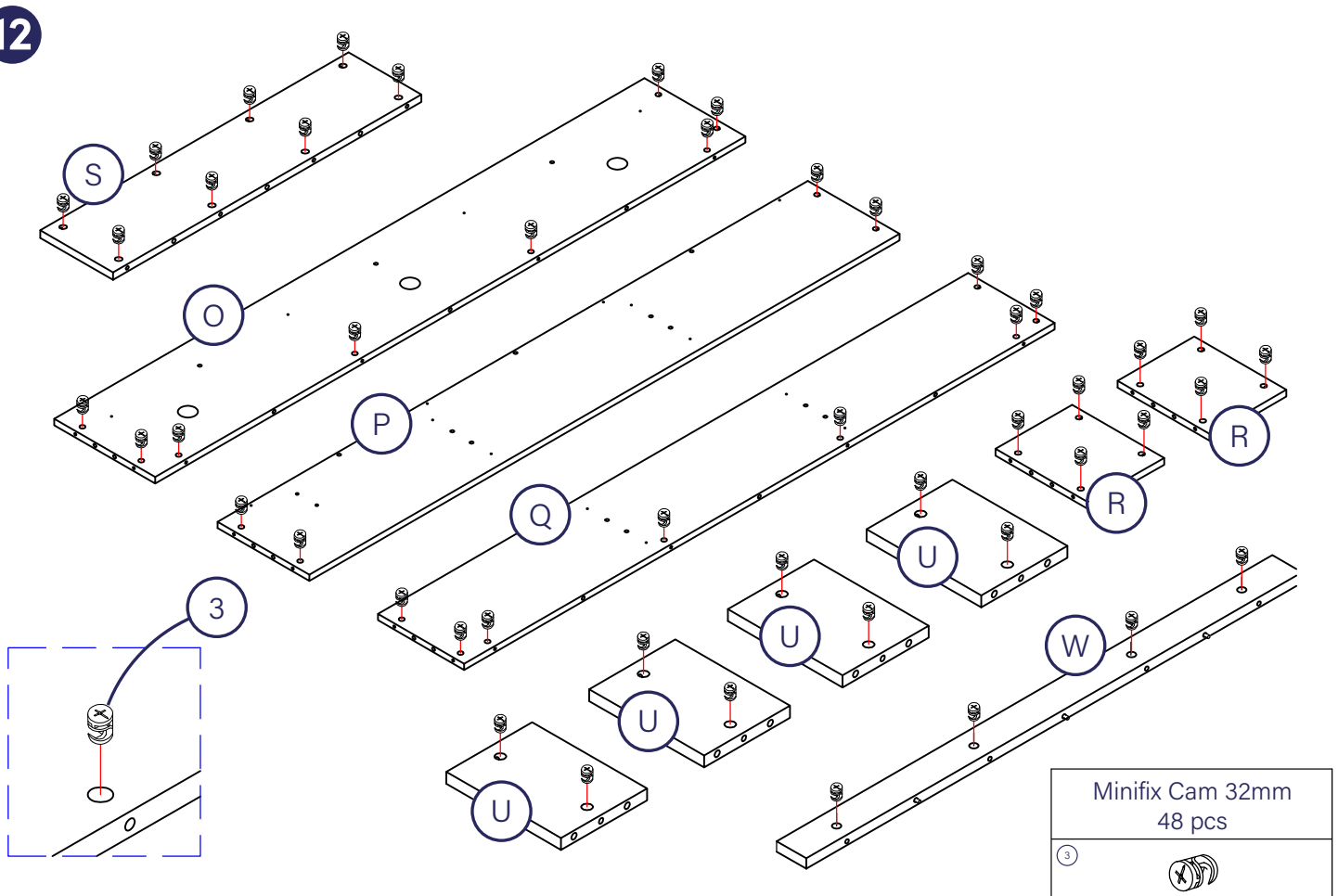


Minifix Cam 15x15mm 18 pcs	
3	

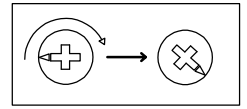
11



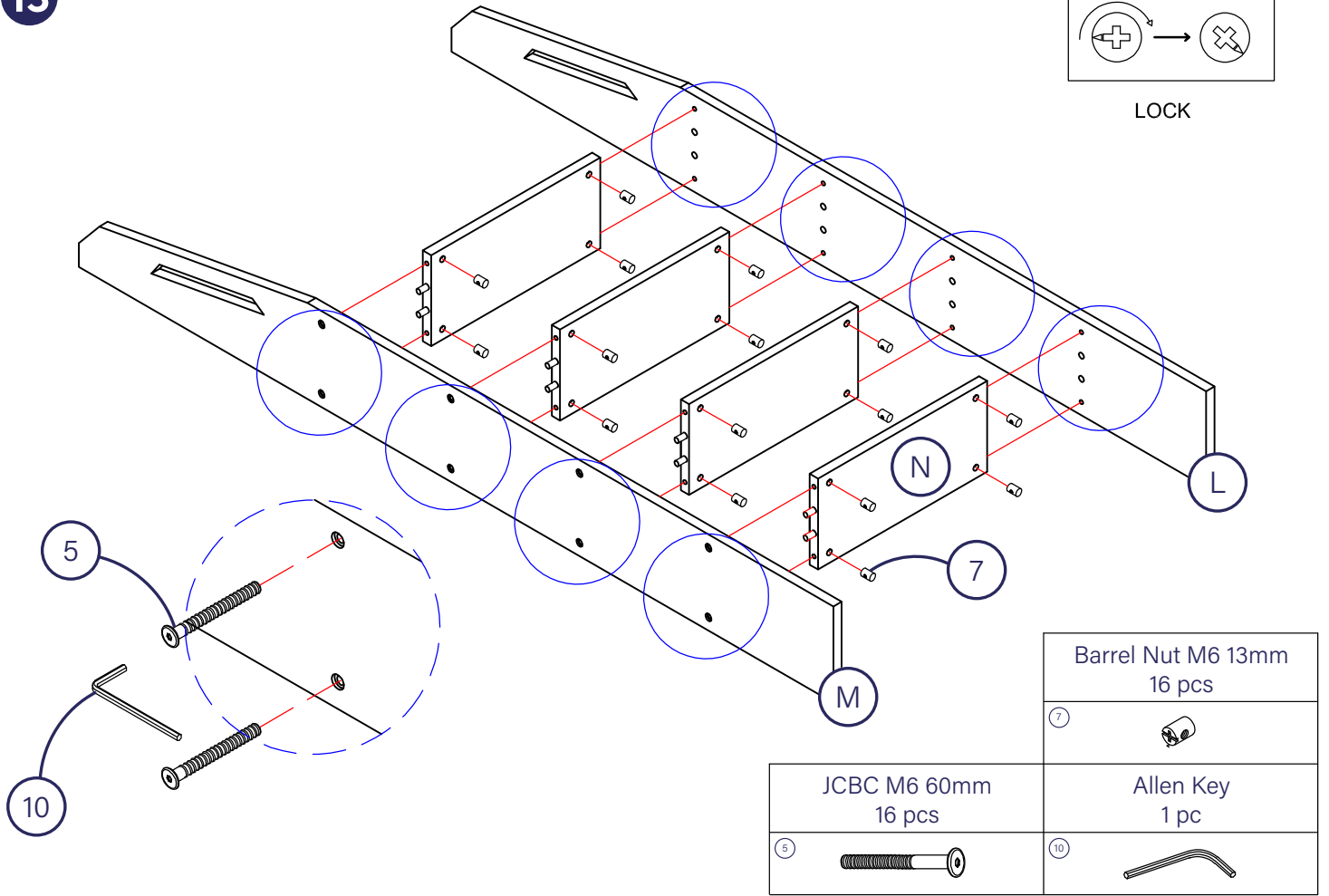
12



13

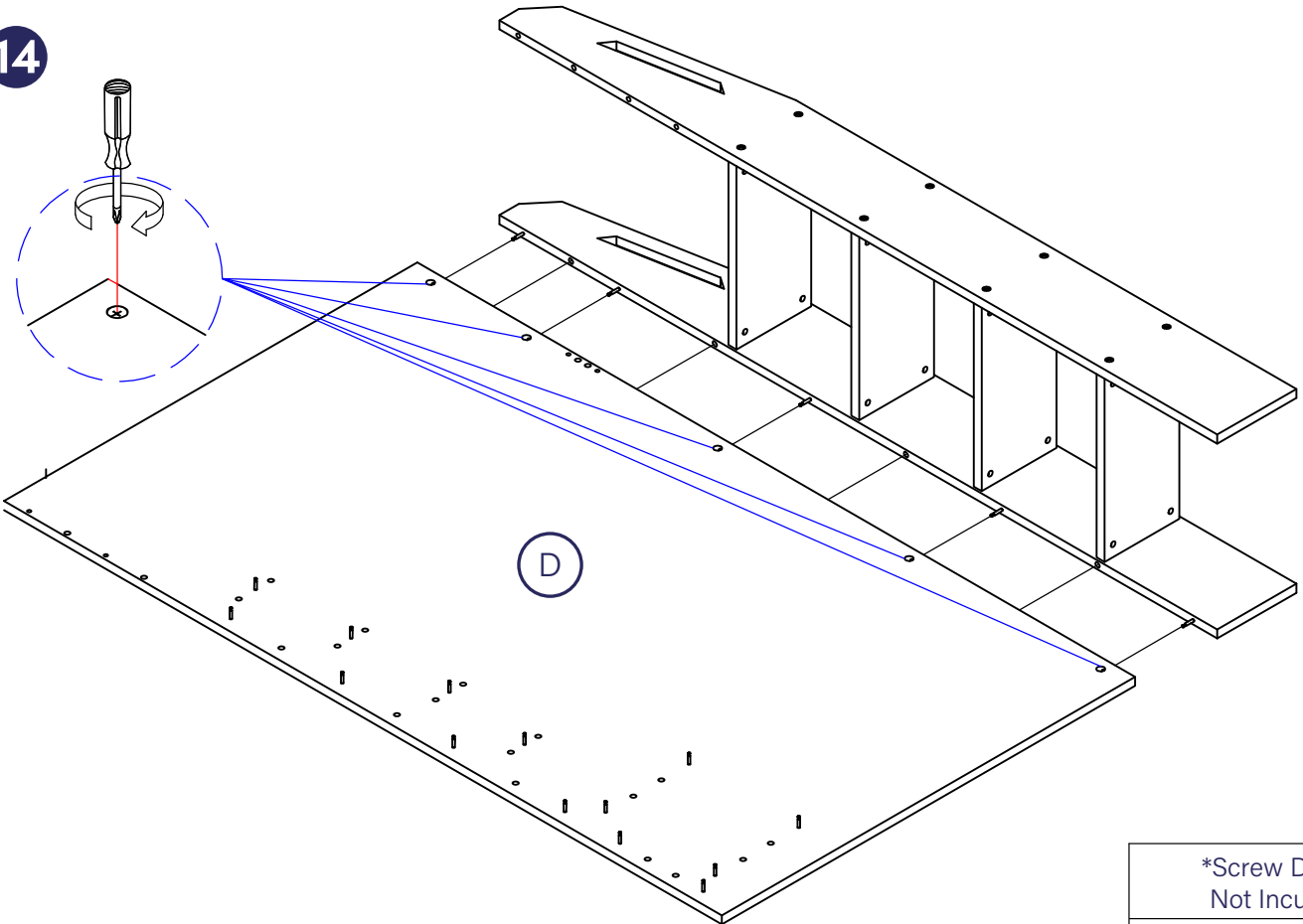


LOCK



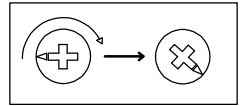
	Barrel Nut M6 13mm 16 pcs
7	
	JCBC M6 60mm 16 pcs
5	
	Allen Key 1 pc
10	

14

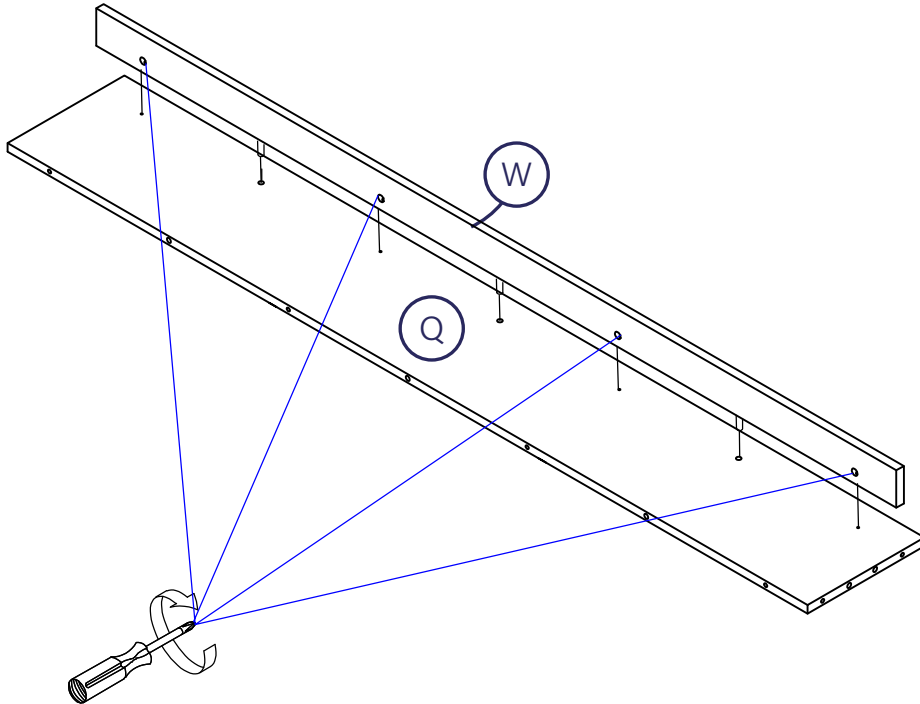


*Screw Driver Not Included

15



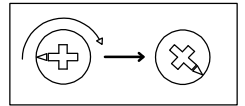
LOCK



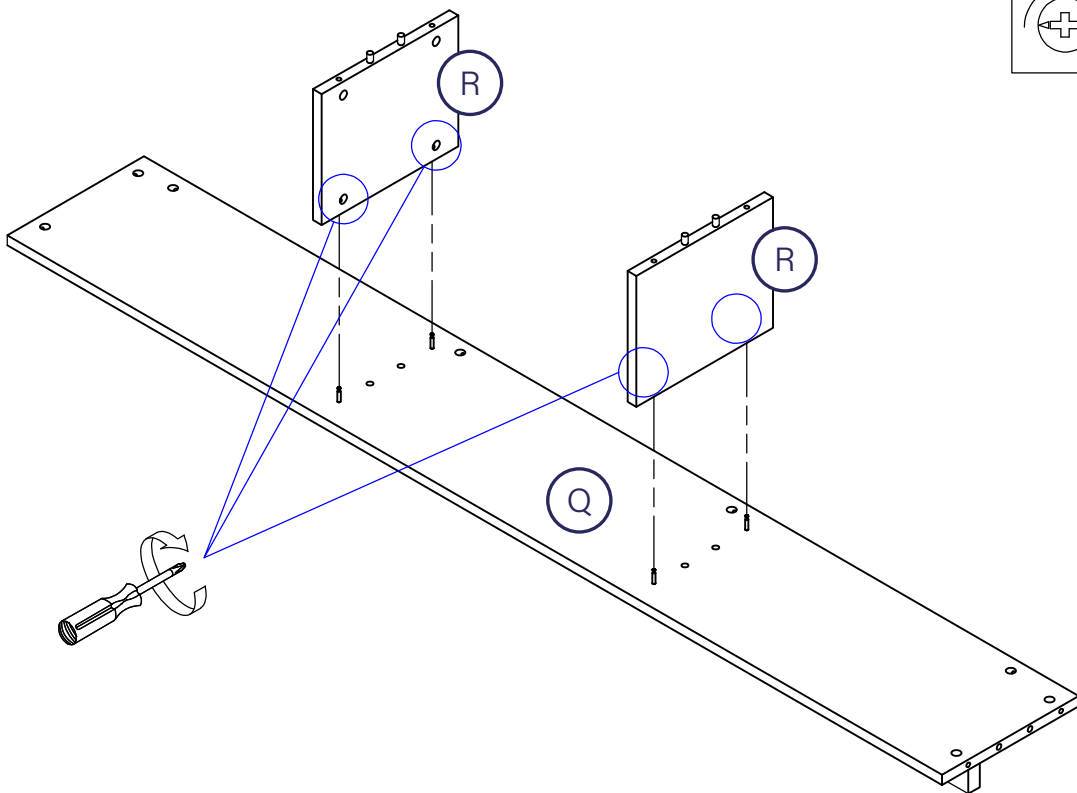
\*Screw Driver  
Not Included



16



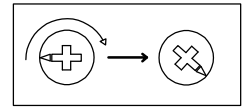
LOCK



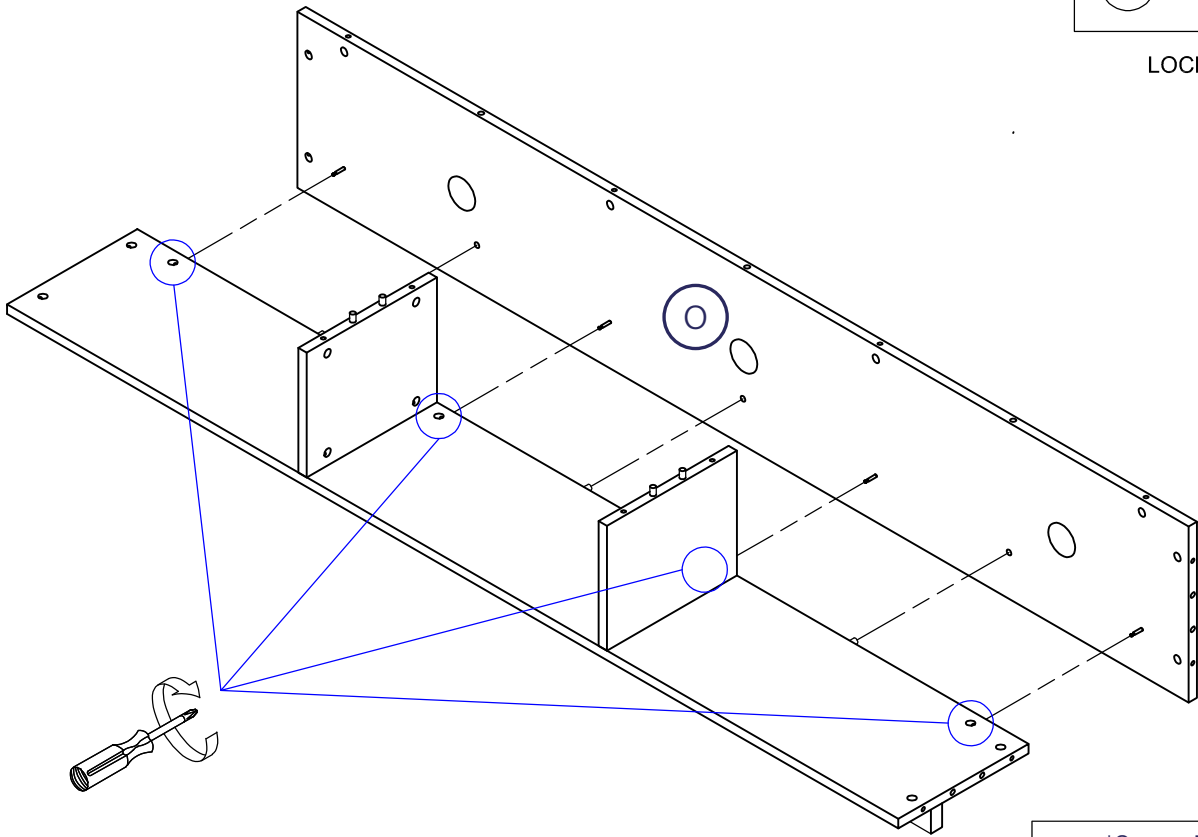
\*Screw Driver  
Not Included



17



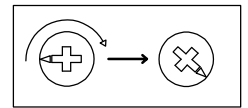
LOCK



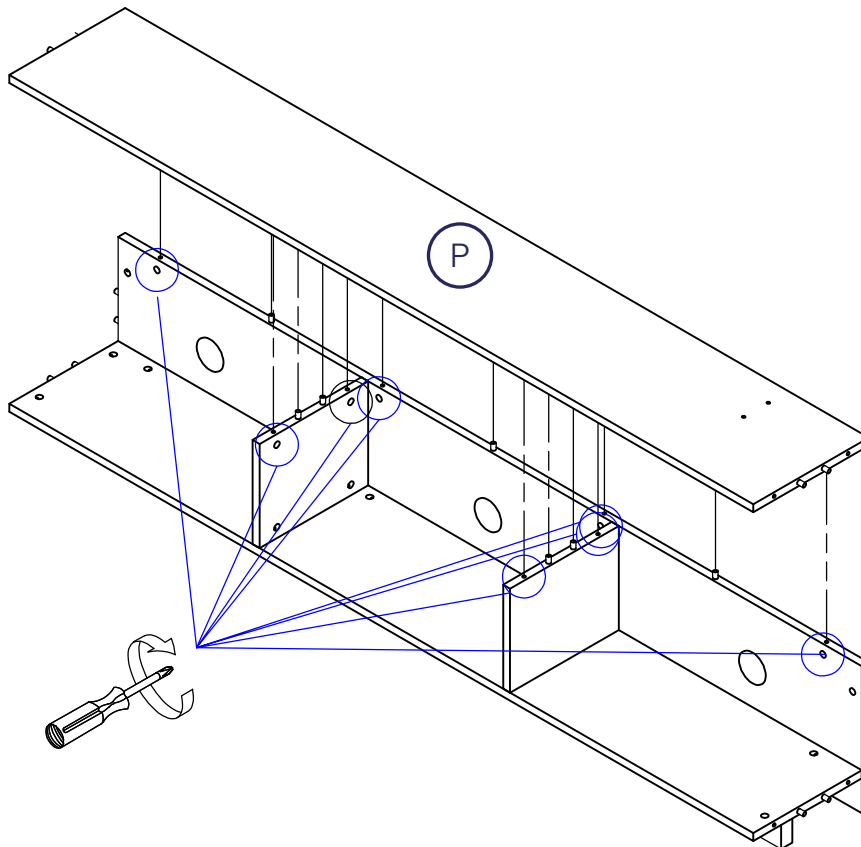
\*Screw Driver  
Not Included



18



LOCK

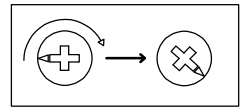


\*Screw Driver  
Not Included

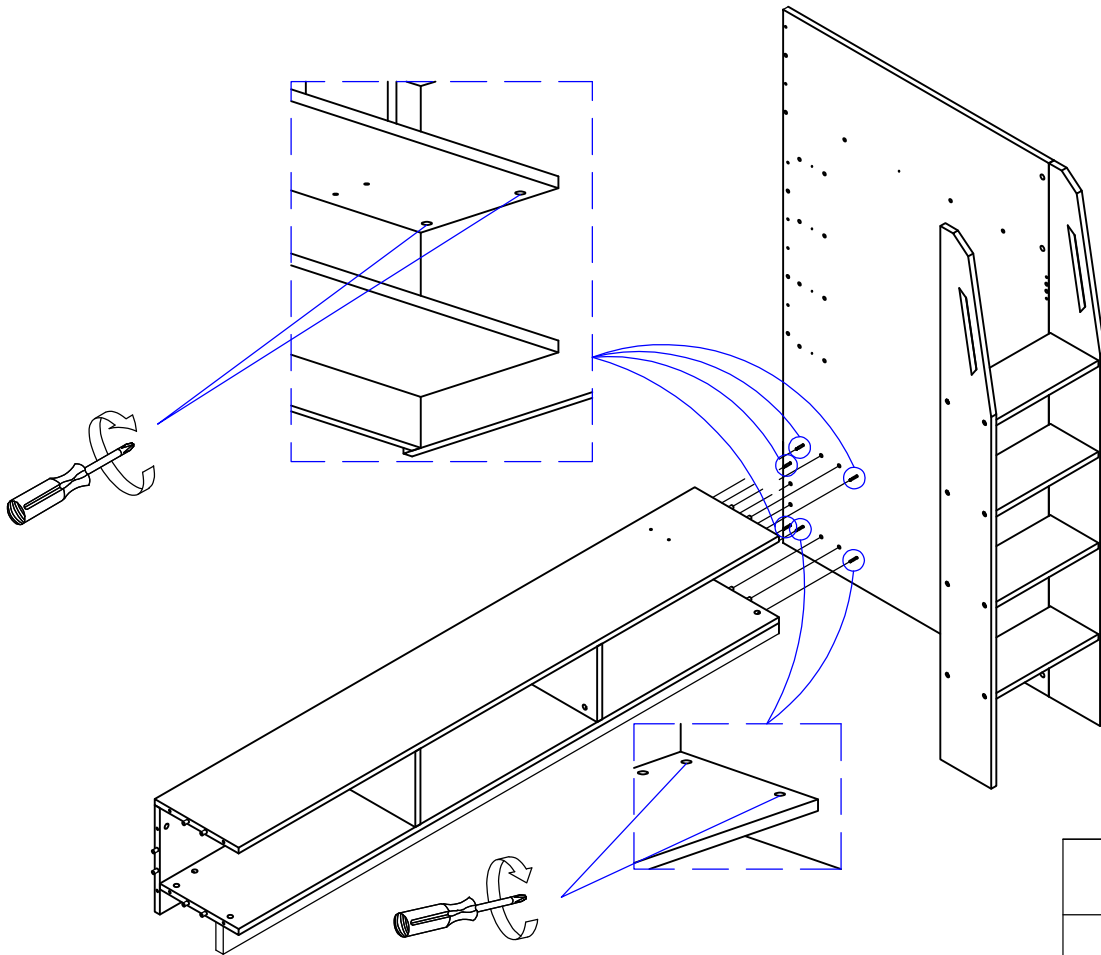




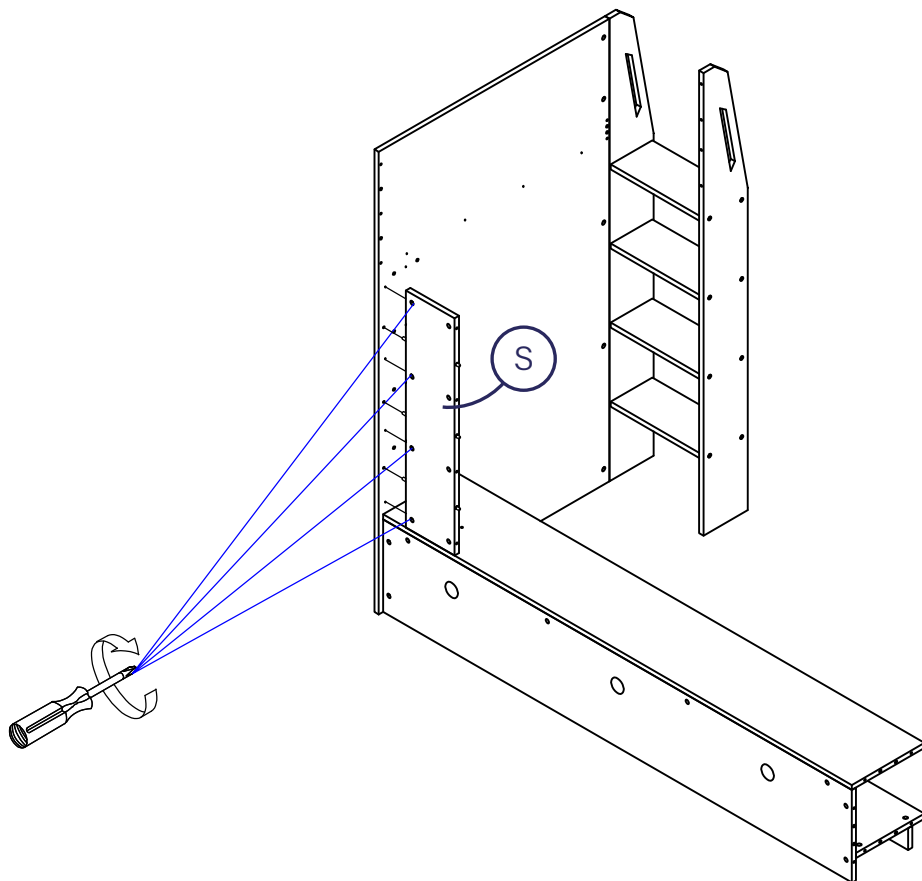
19



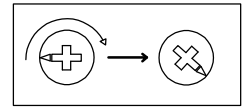
LOCK



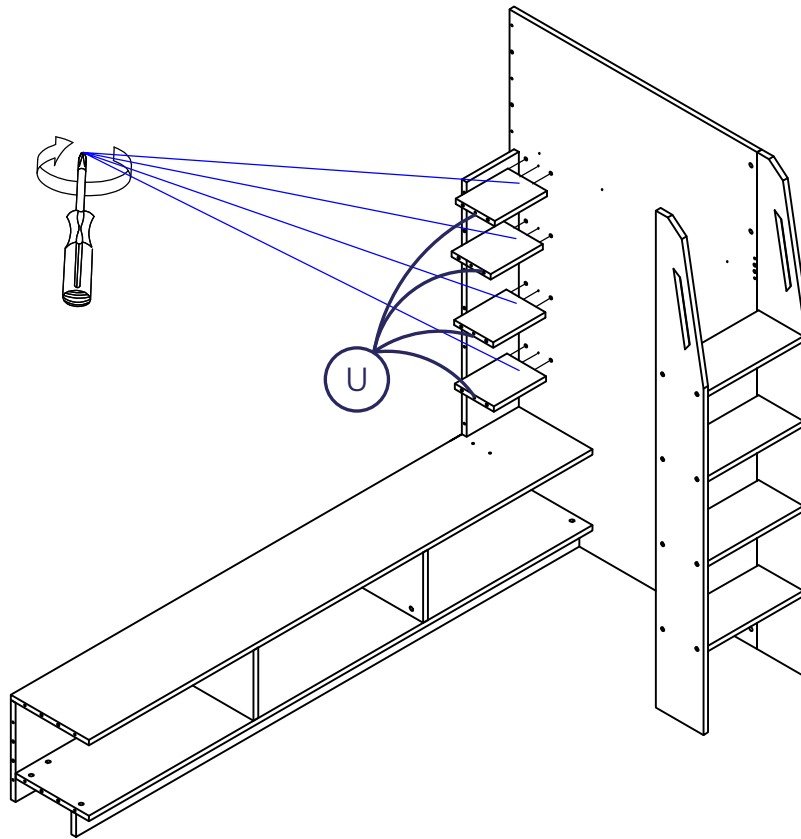
20



21



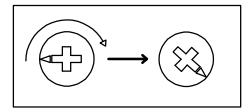
LOCK



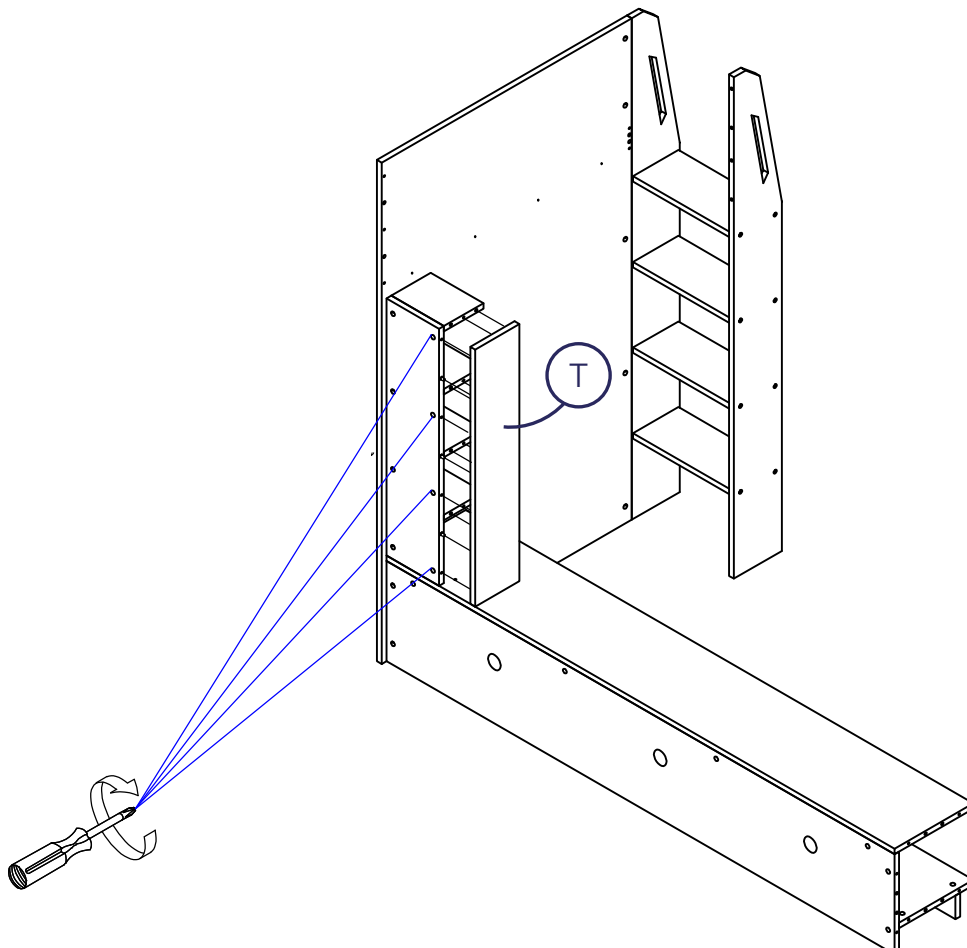
\*Screw Driver  
Not Included



22



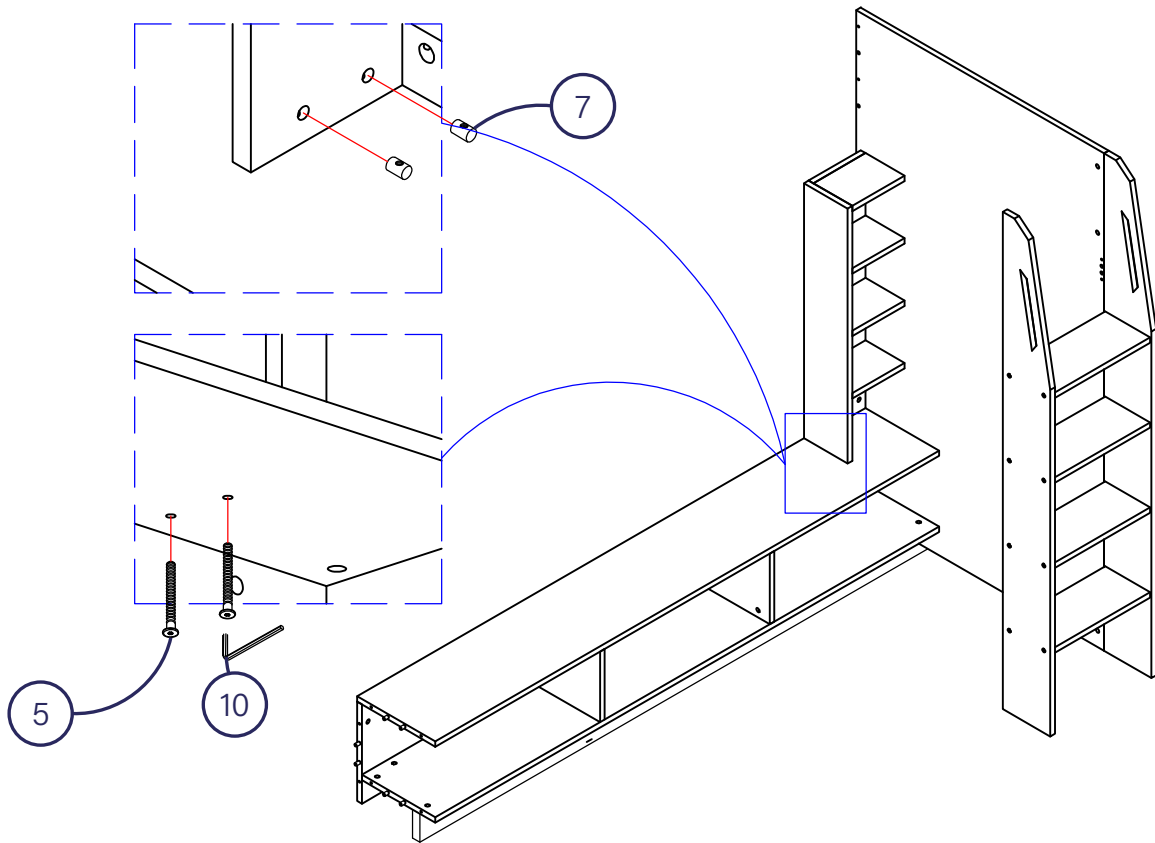
LOCK






\*Screw Driver  
Not Included

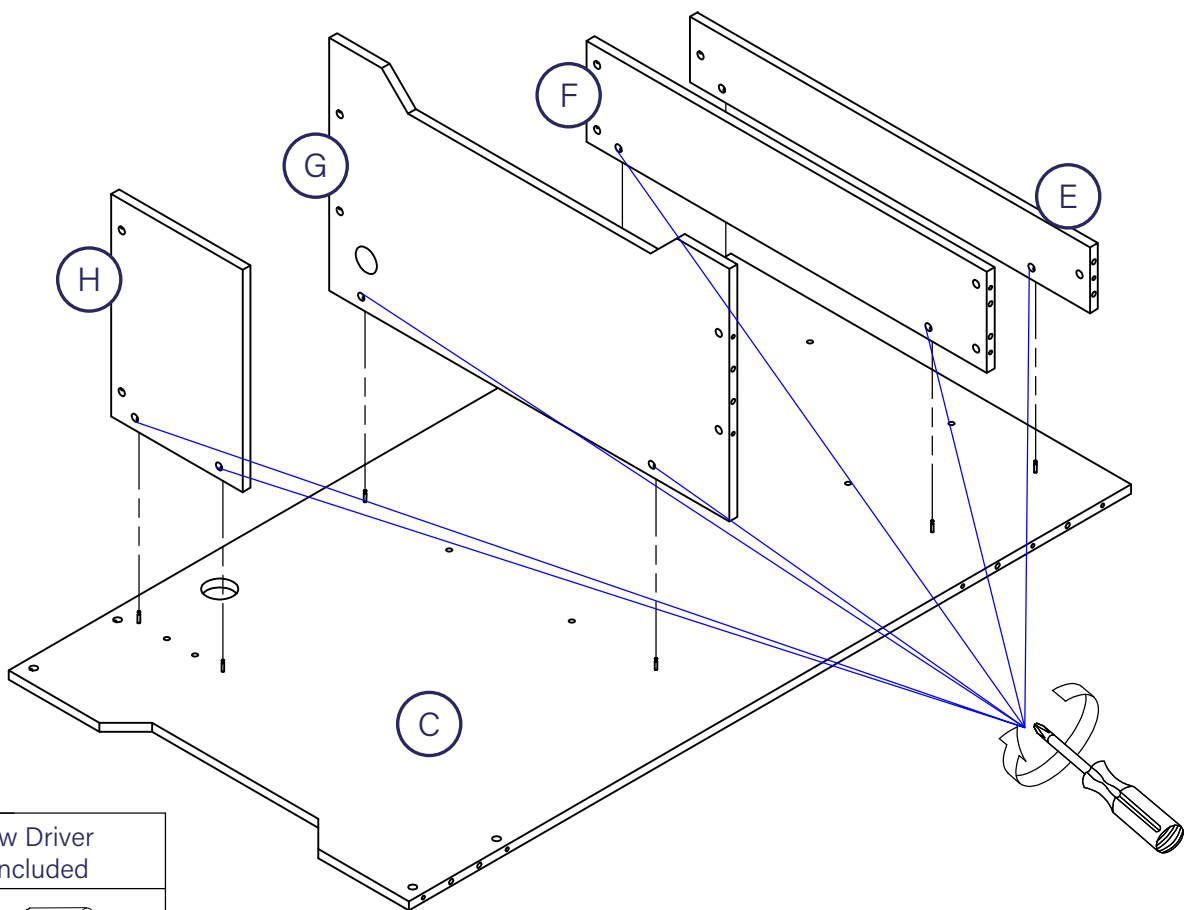


23




Barrel Nut M6 13mm 2 pcs	JCBC M6 60mm 2 pcs	Allen Key 1 pc
7 	5 	10 

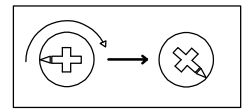
24



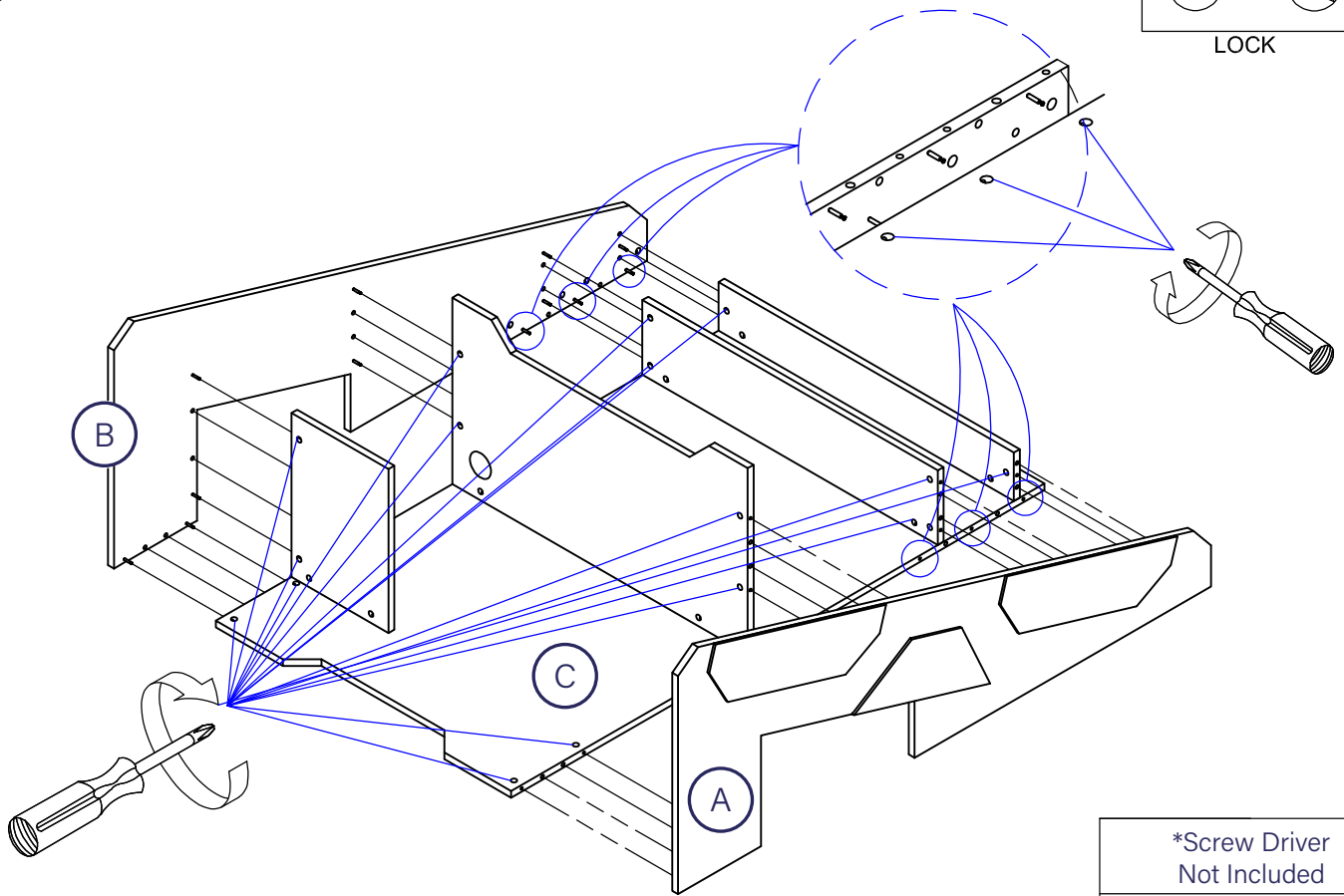
\*Screw Driver  
Not Included



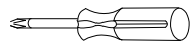
25



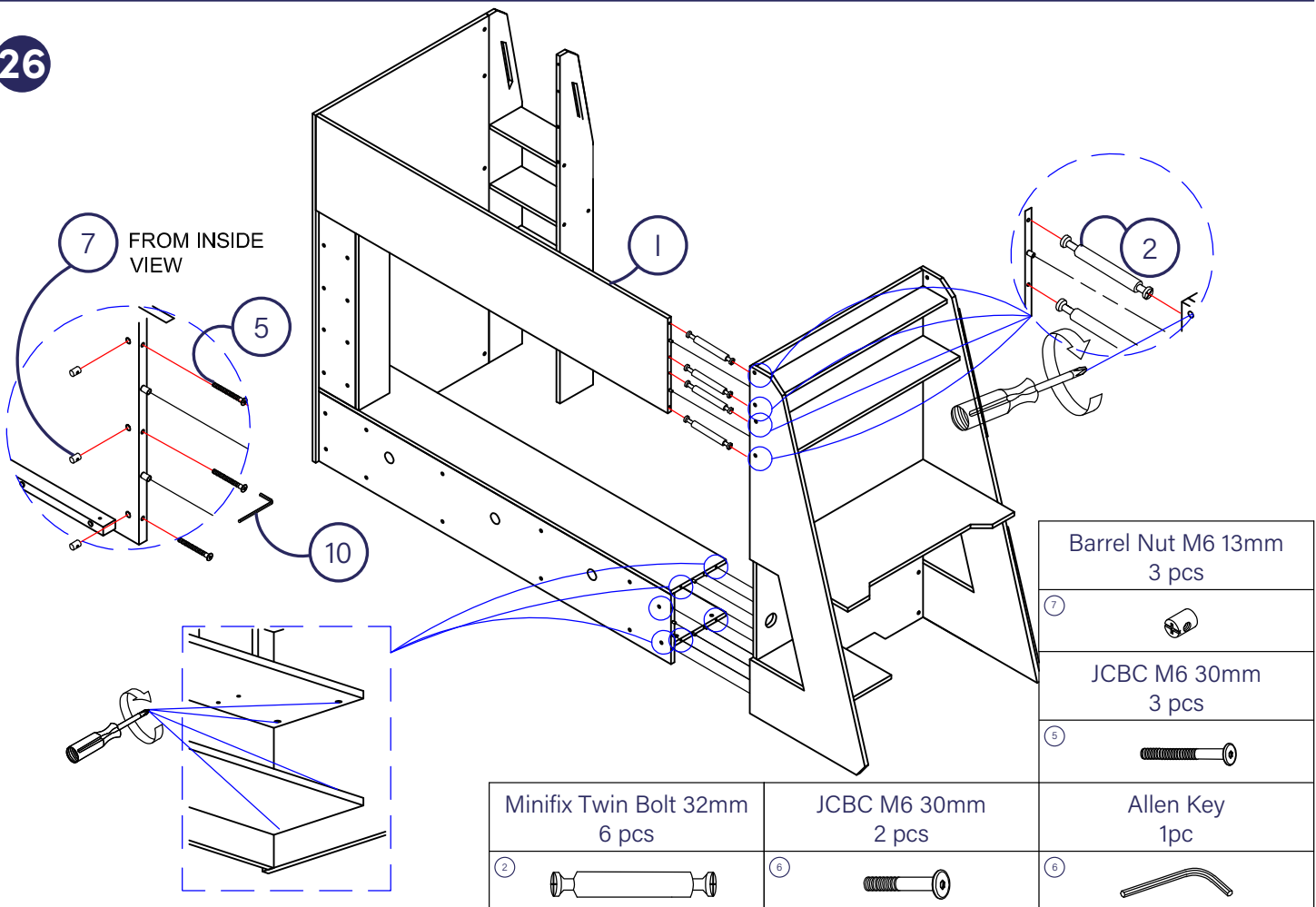
LOCK






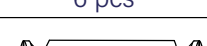
\*Screw Driver  
Not Included

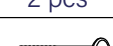


26

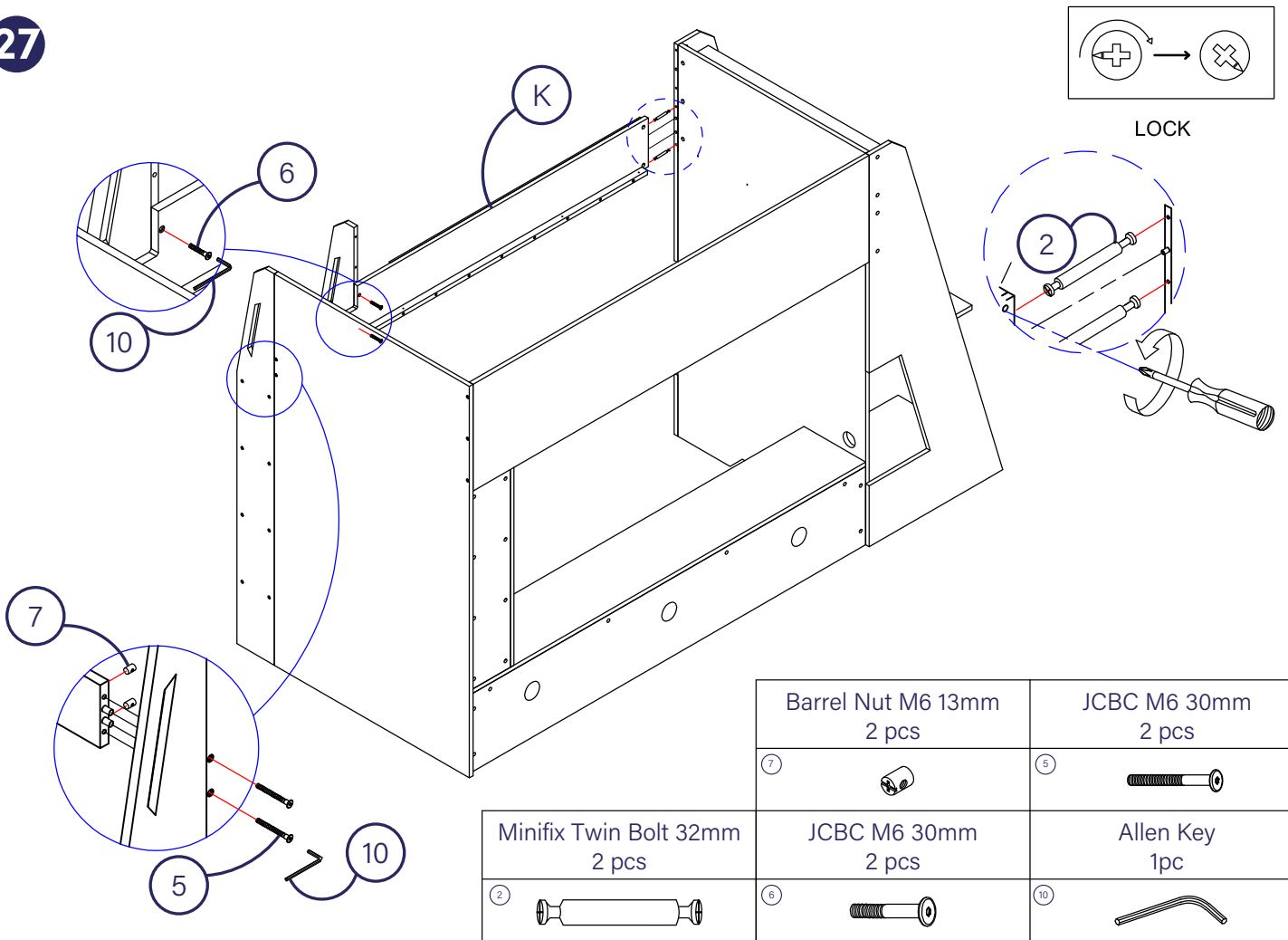


	Barrel Nut M6 13mm 3 pcs
7	
	JCBC M6 30mm 3 pcs
5	
	Allen Key 1pc
6	

	Minifix Twin Bolt 32mm 6 pcs
2	

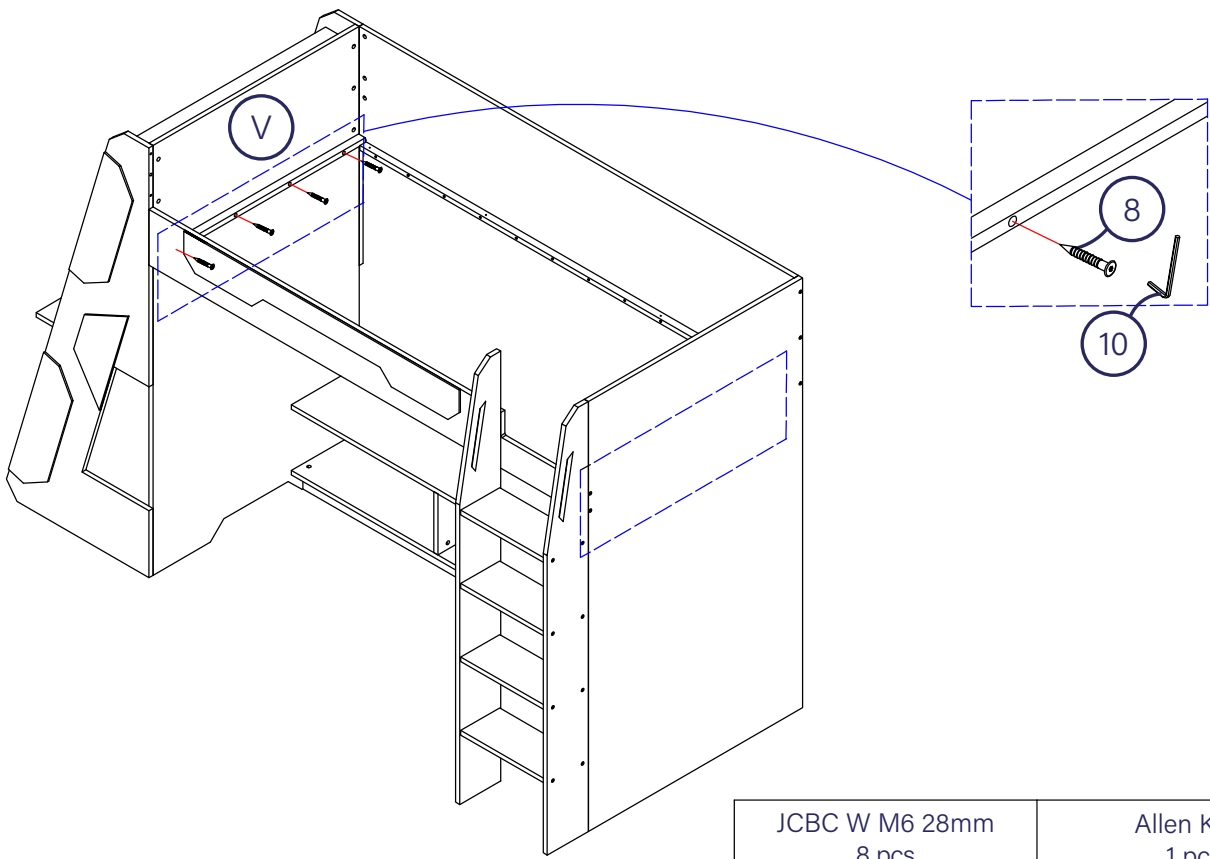
	JCBC M6 30mm 2 pcs
6	

27



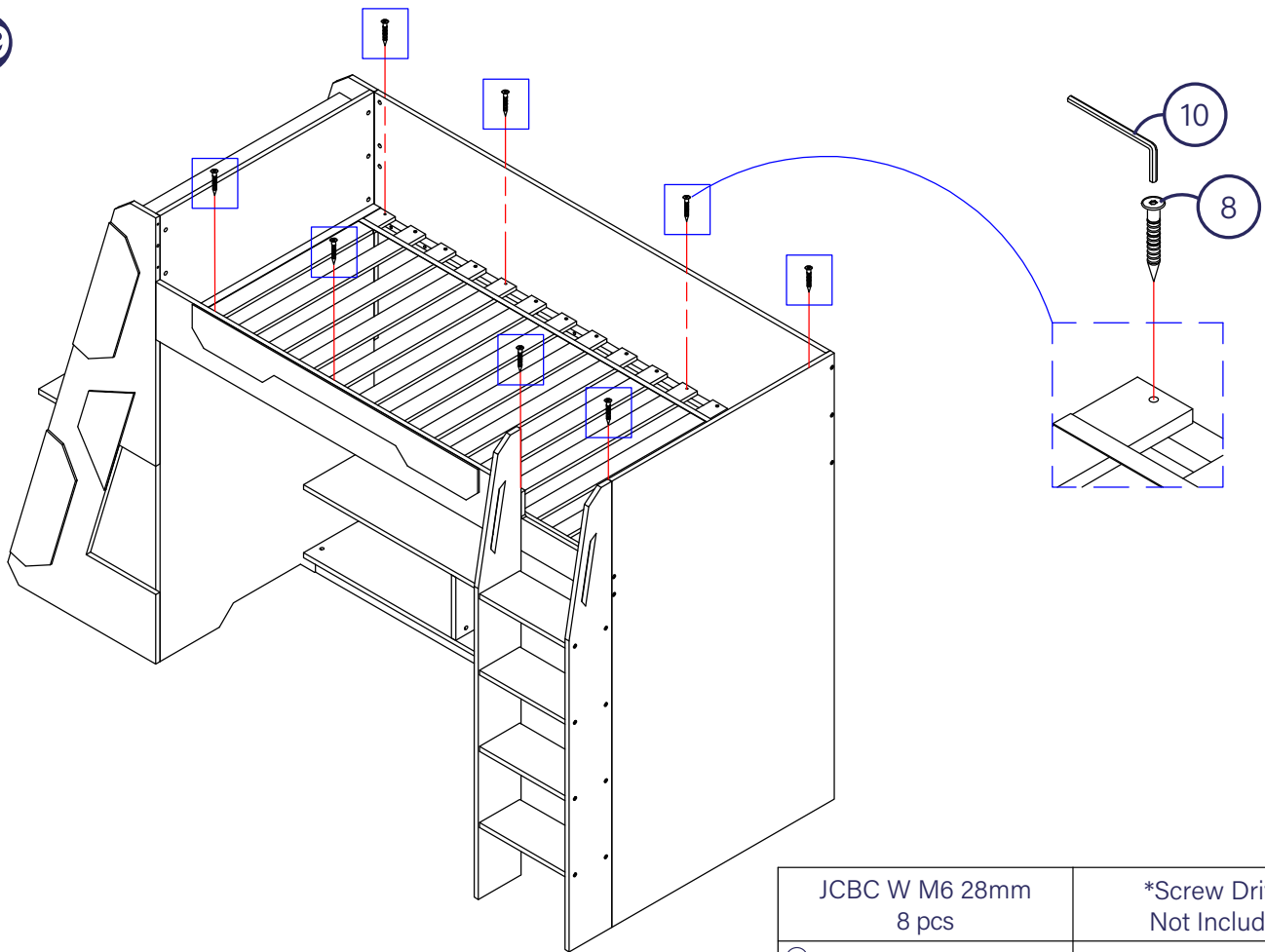
	Barrel Nut M6 13mm 2 pcs	JCBC M6 30mm 2 pcs
7		5
	Minifix Twin Bolt 32mm 2 pcs	JCBC M6 30mm 2 pcs
2		6
		Allen Key 1pc
		10



28



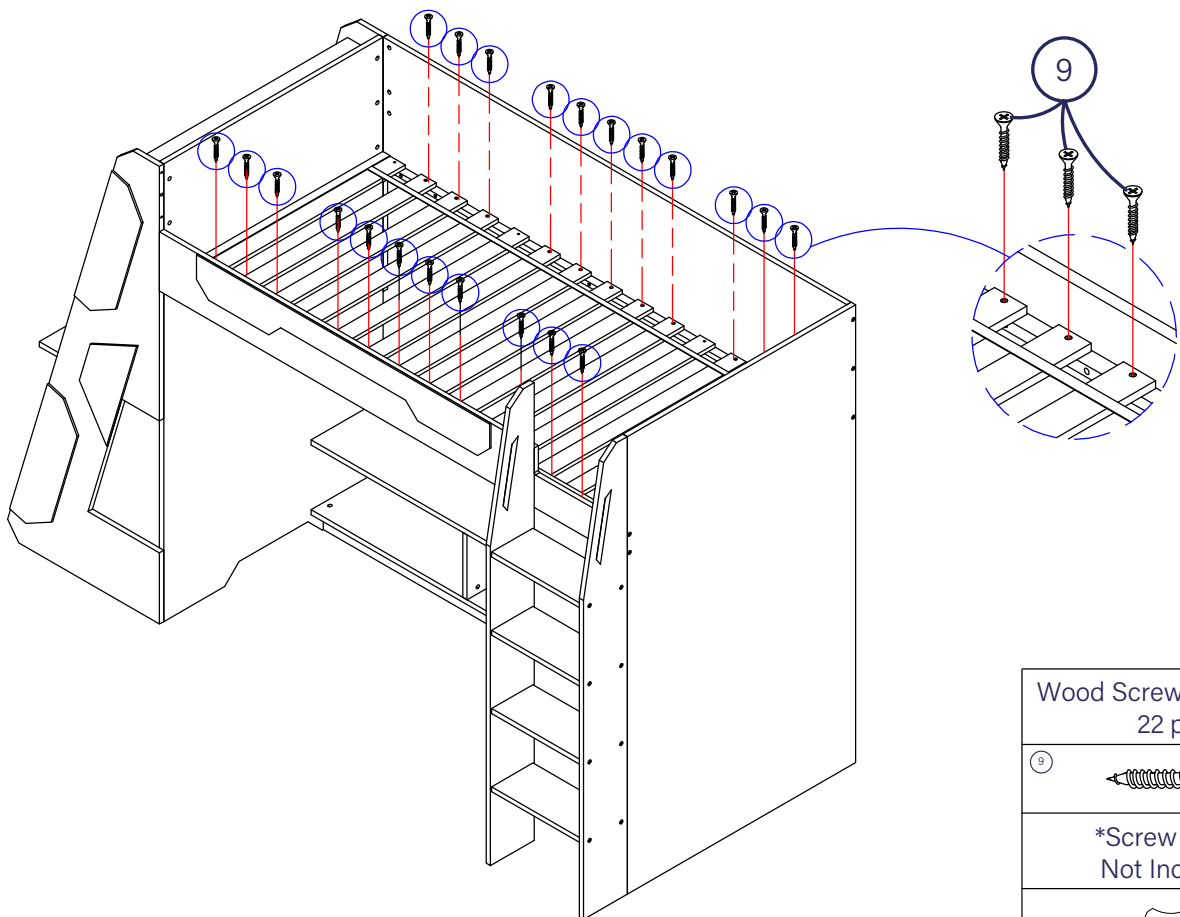
JCBC W M6 28mm 8 pcs	Allen Key 1 pc
8	



29



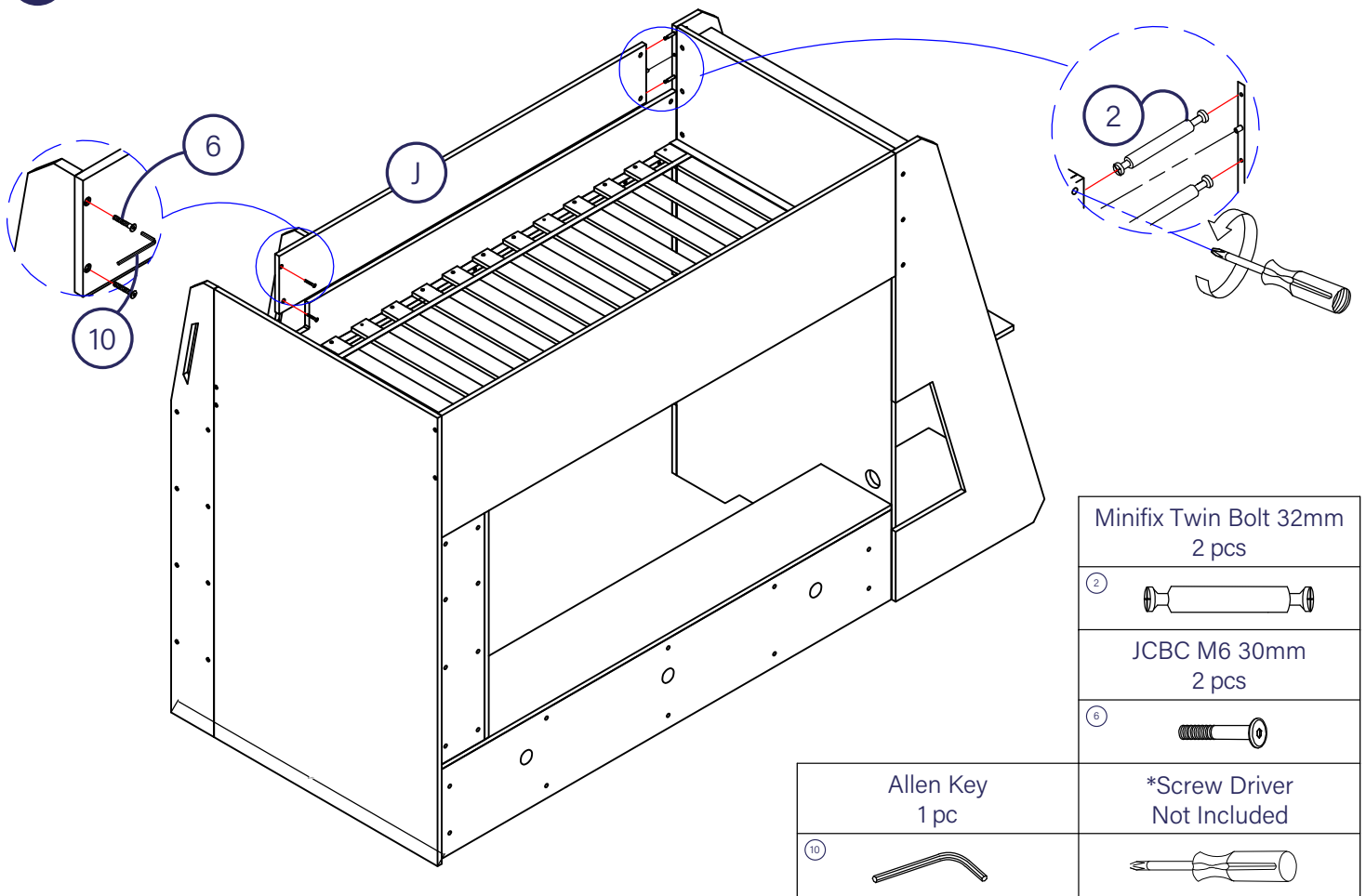
JCBC W M6 28mm 8 pcs	*Screw Driver Not Included
	

30

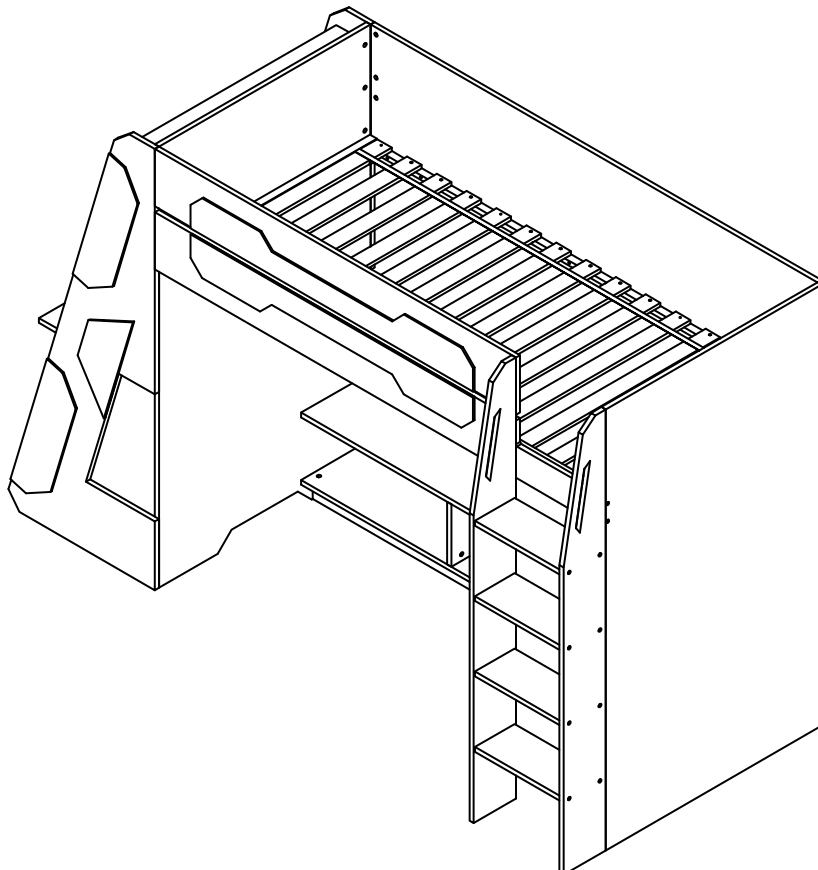


Wood Screw 4.0x30mm 22 pcs	*Screw Driver Not Included
	

31



**COMPLETE**



# Care and maintenance

Here are some tips to keep your new bed in tip-top condition



## Cleaning

To clean your new bed, we'd advise using a warm damp cloth - please do not use abrasive chemicals or bleach as this may damage the product.



## Checking and moving

Periodically we recommend you check that the screws or fixtures haven't become loose, over time. To move your new bed, we recommend lifting it where possible, as dragging or pushing it could cause damage to your flooring.



## Wood

Please note each of our wooden pieces are unique, meaning that markings and shade can vary slightly between beds. Over a period of time, the wood might lighten or fade slightly due to light exposure.

**Thank you for shopping with us - we hope you have a great night's sleep**

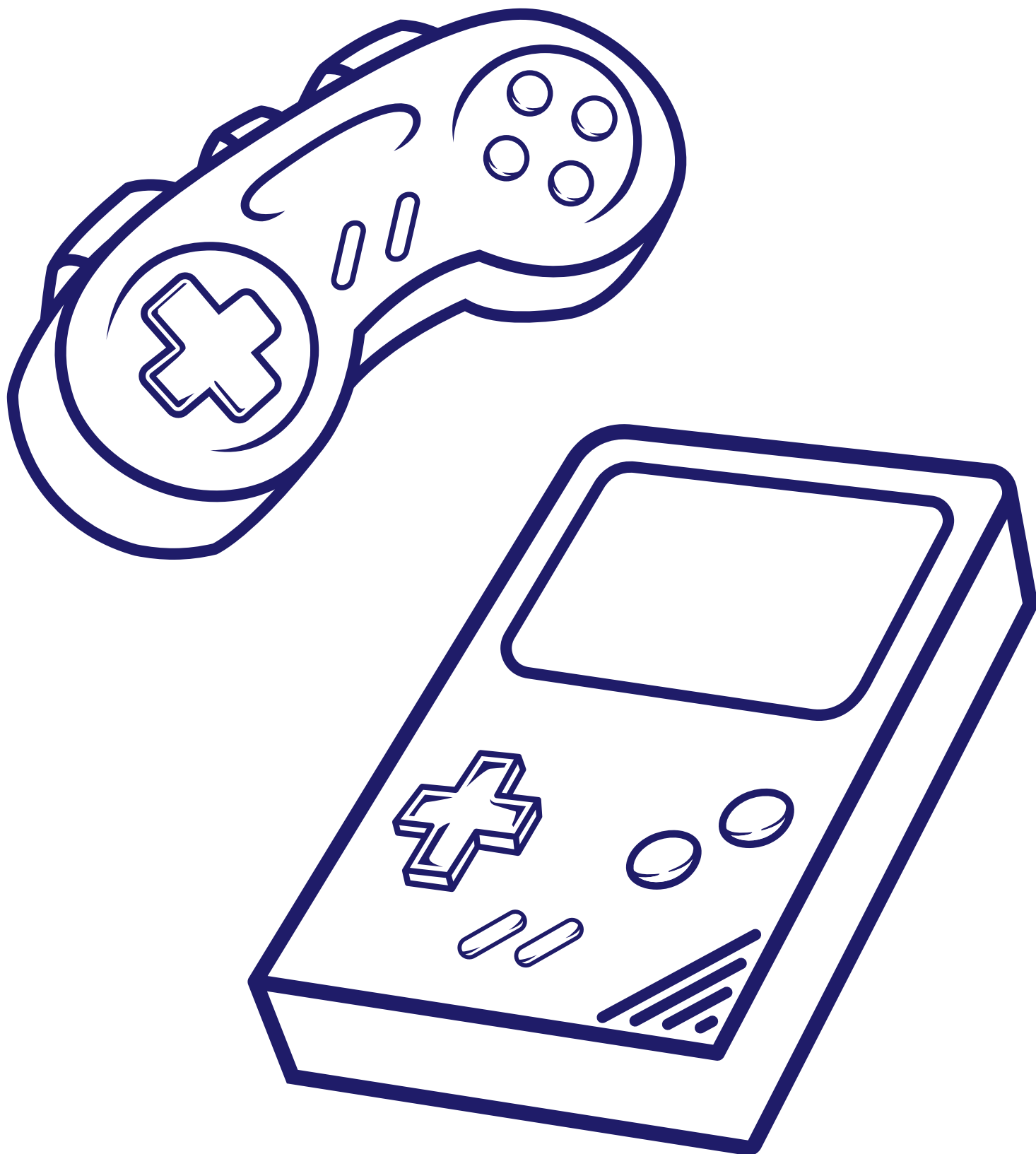
*Sleep well*





# Little dreamers

Keep the little ones entertained while you assemble your new purchase.



**Dreams**